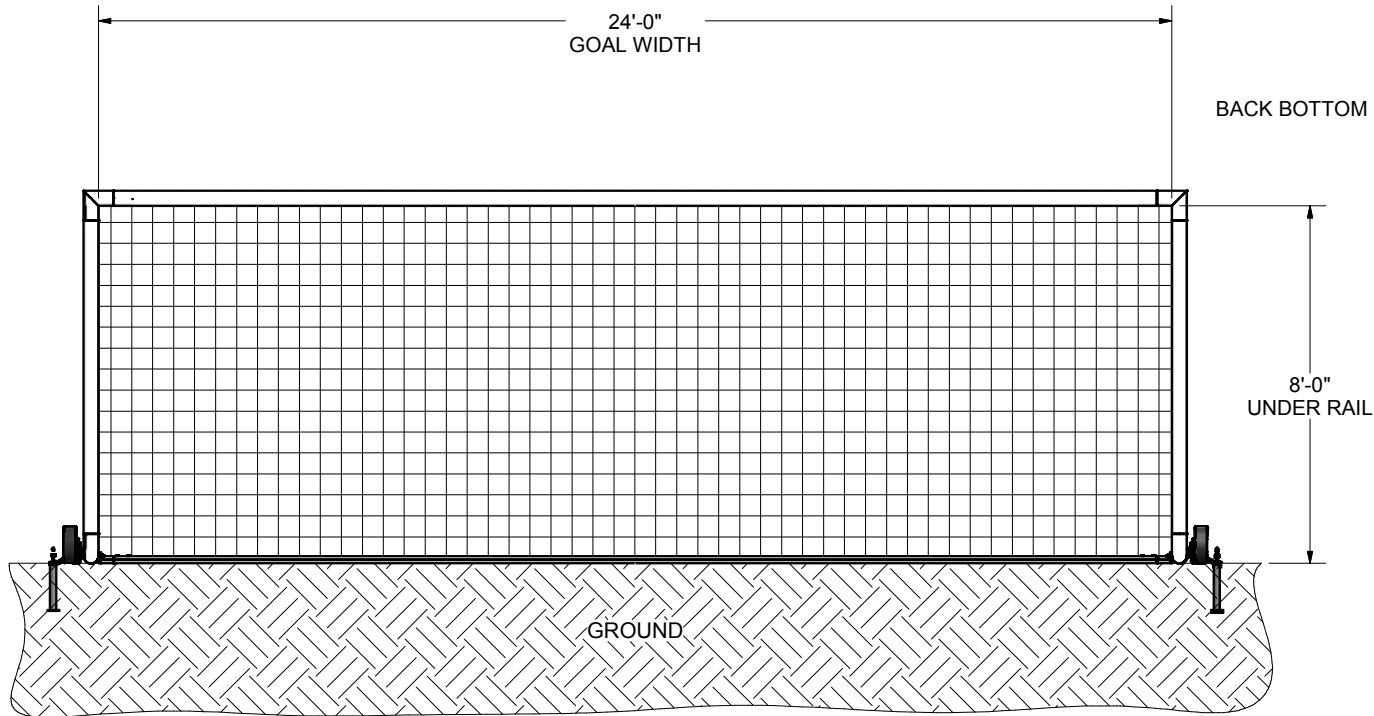
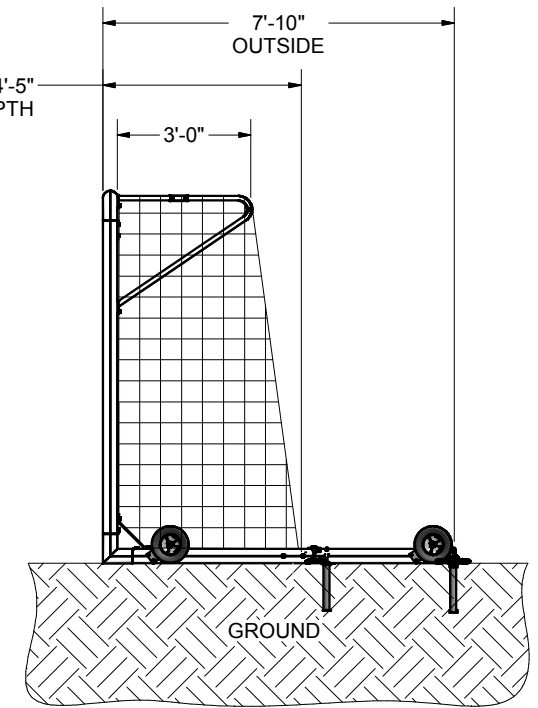


FRONT VIEW



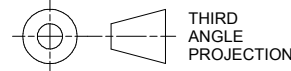
SIDE VIEW



FEATURES:

- 1) ALUMINUM GOAL FRAME AND BACKDROPS
- 2) FINISH: WHITE POWDER COAT
- 3) INCLUDED:
 - SEMI PERMANENT GROUND ANCHORS
 - 3 mm, WHITE NET
 - KWIK LOCK® NET CLIPS
- 4) ASSEMBLED GOAL WEIGHT: 221 LBS.
- 5) EXCEEDS:
 - NCAA SPECIFICATIONS
 - NFSHA SPECIFICATIONS
 - ASTM F2056-00 STANDARDS
- 6) MODIFIED BACK BOTTOM BAR TO FIT CLEANLY IN FRONT OF FOOTBALL UPRIGHTS ON A SHARED SOCCER/FOOTBALL ENDLINE

Finish Info.



DIMENSIONS ARE IN INCHES
UNLESS OTHERWISE SPECIFIED

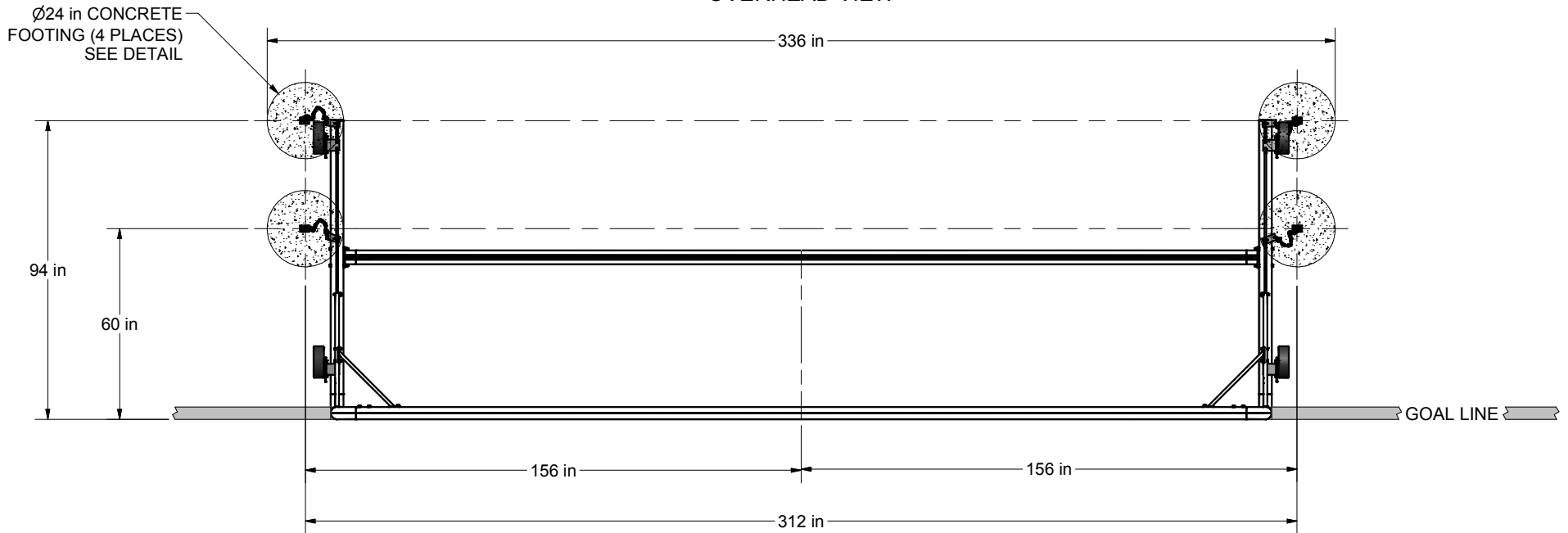
This item is the **exclusive** property of **KWIK GOAL LTD.** Reproduction or duplication **without** the express written consent of **KWIK GOAL LTD.** is **strictly forbidden.**



Approved By:
Date:
Drawn By: CSpeck
Date: 9/1/2006
Sheet: 1 of 4
Revision #: 3
Cad File: 2B3906.idw

Part #:
2B3906
Desc:
8' X 24' FUSION GOAL

OVERHEAD VIEW

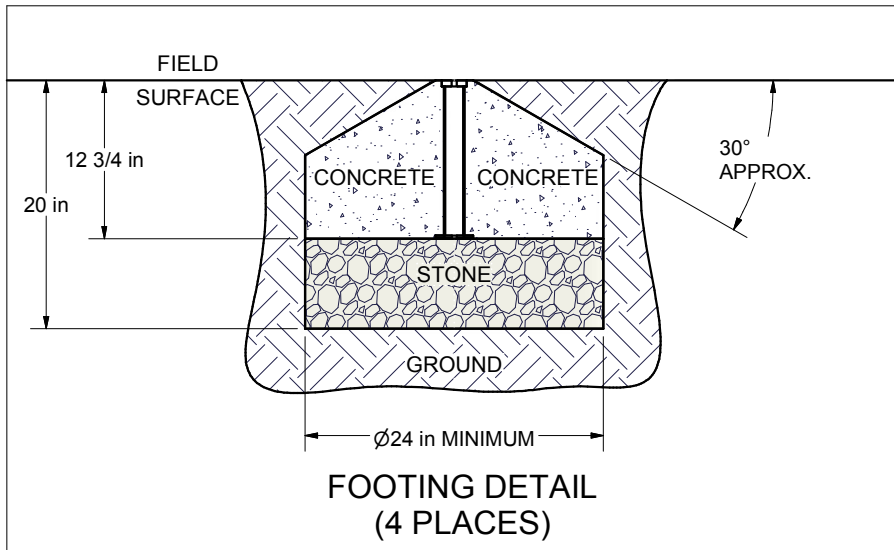


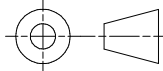

NOTES:

1) DIMENSIONS ARE FOR PLANNING PURPOSES. INSTALLATION MUST BE IN ACCORDANCE WITH INSTALLATION INSTRUCTIONS.

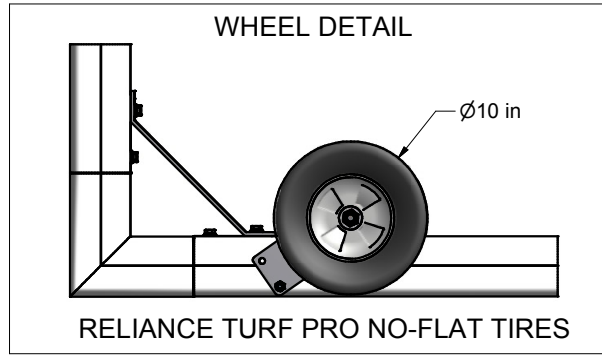
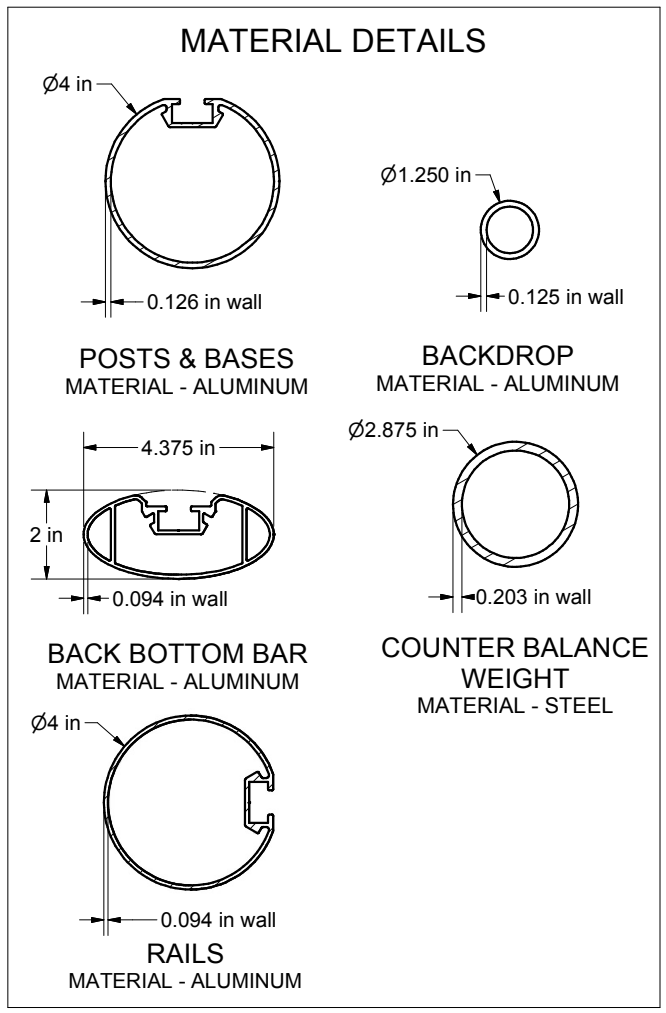
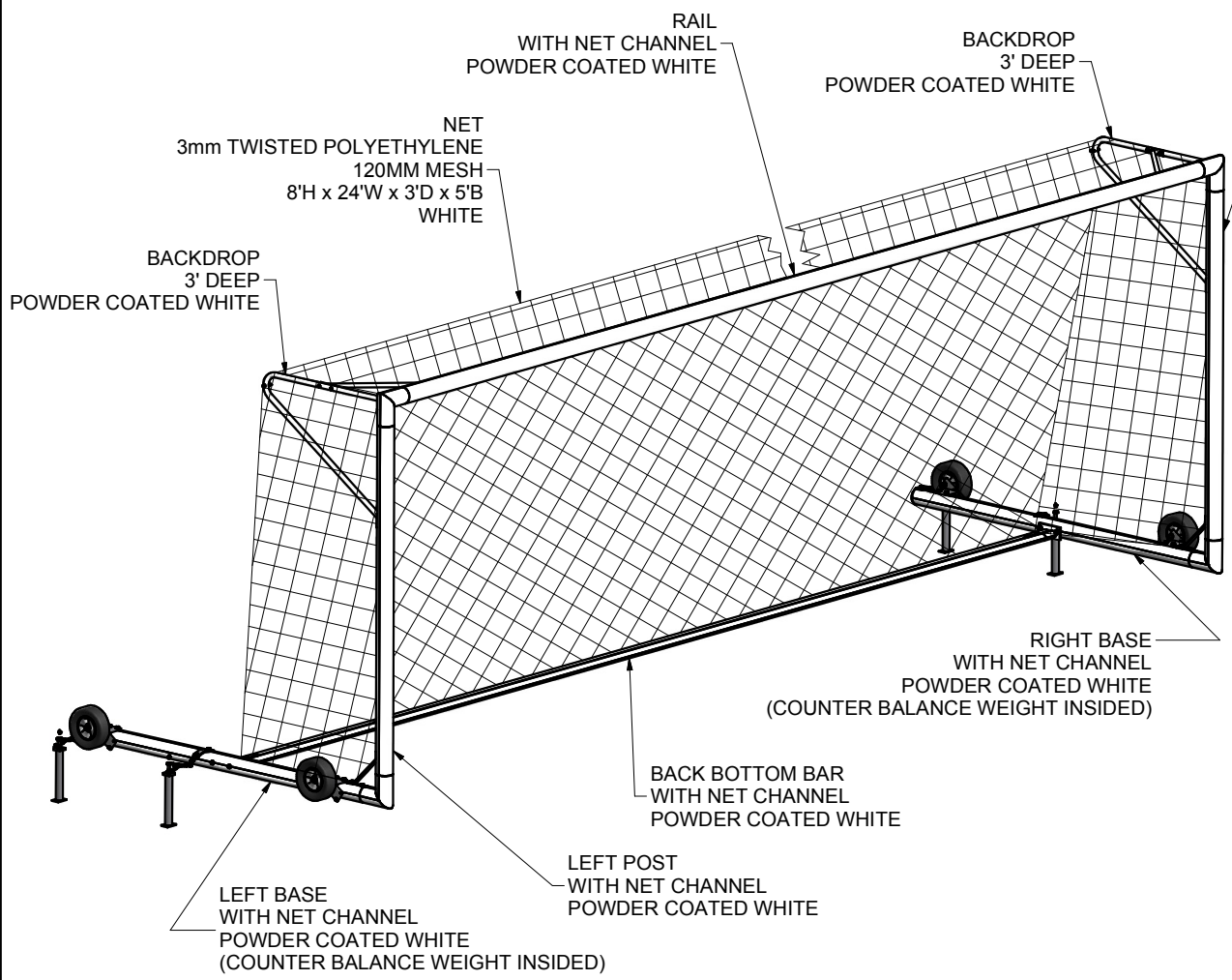
MATERIAL REQUIRED, BUT **NOT** SUPPLIED

0.5 cubic yard - CONCRETE
 0.3 cubic yard - CLEAN STONE (1/4" - 3/4")
ABOVE AMOUNTS ARE PER GOAL INSTALLATION

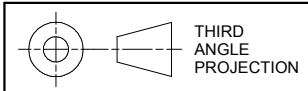


 THIRD ANGLE PROJECTION	 140 Pacific Drive Quakertown, Pa. 18951	
	DIMENSIONS ARE IN INCHES UNLESS OTHERWISE SPECIFIED	Approved By:
This item is the exclusive property of KWIK GOAL LTD. Reproduction or duplication without the express written consent of KWIK GOAL LTD. is strictly forbidden.	Date:	2B3906
	Drawn By: CSpeck	
	Date: 9/1/2006	Desc:
	Sheet: 2 of 4 Revision #: 3 Cad File: 2B3906.idw	8' X 24' FUSION GOAL

Finish Info.



Finish Info.



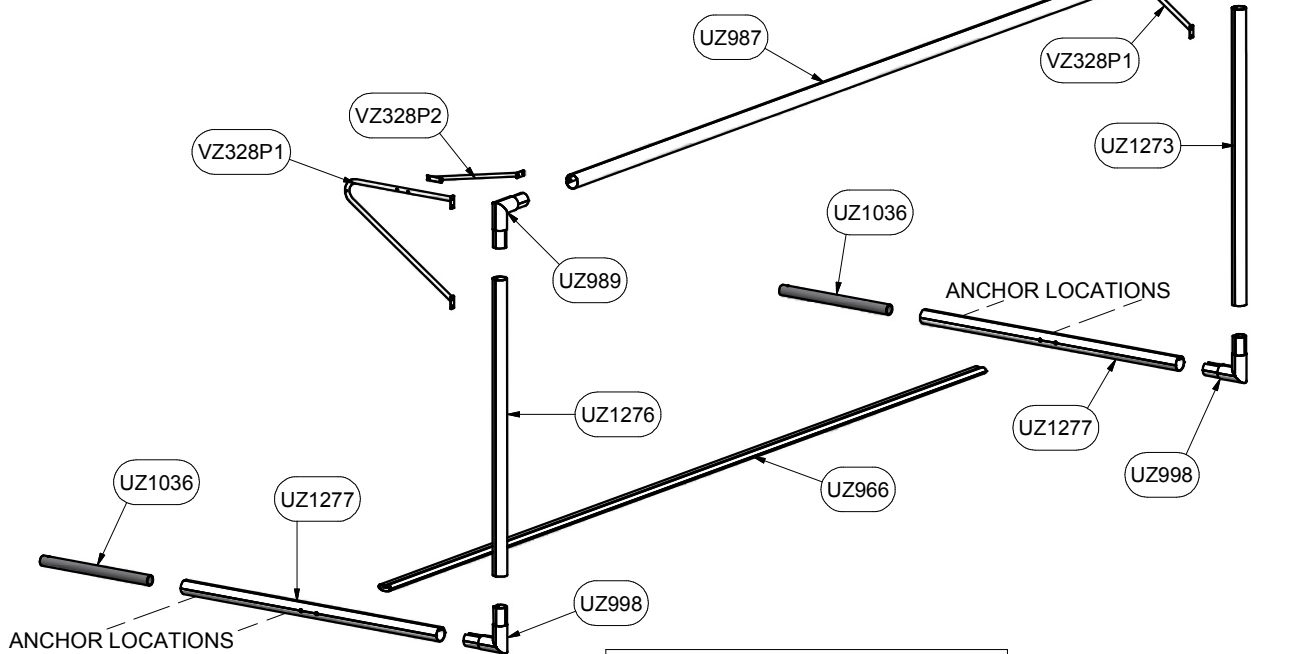
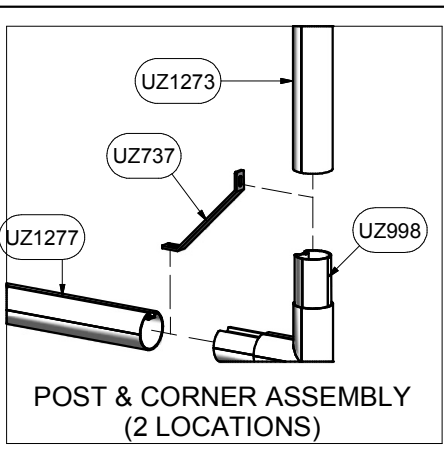
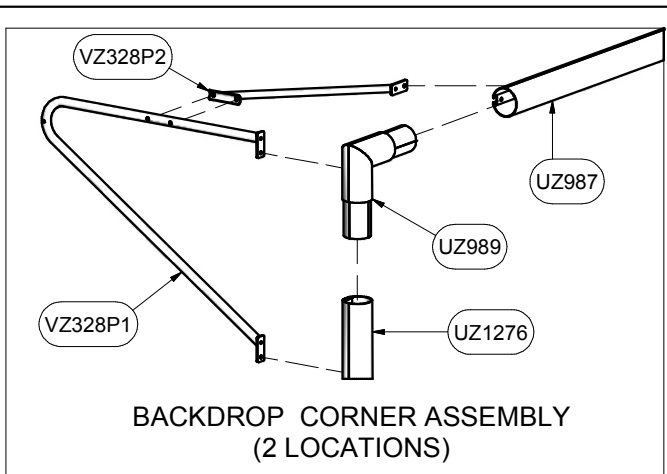
DIMENSIONS ARE IN INCHES UNLESS OTHERWISE SPECIFIED

This item is the **exclusive** property of **KWIK GOAL LTD.** Reproduction or duplication **without** the express written consent of **KWIK GOAL LTD.** is **strictly forbidden.**

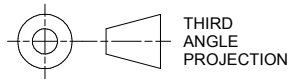
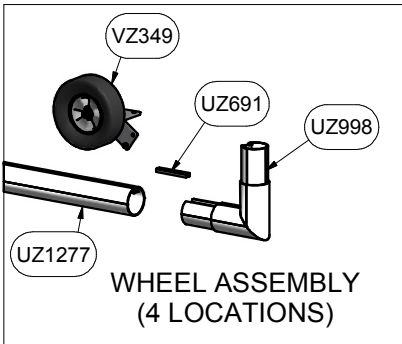
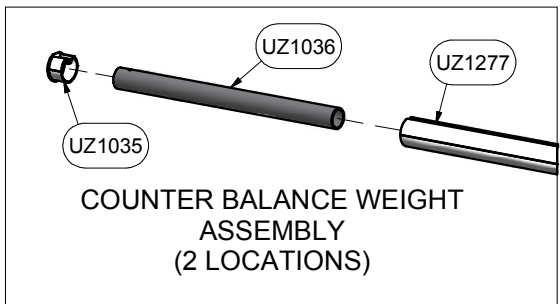
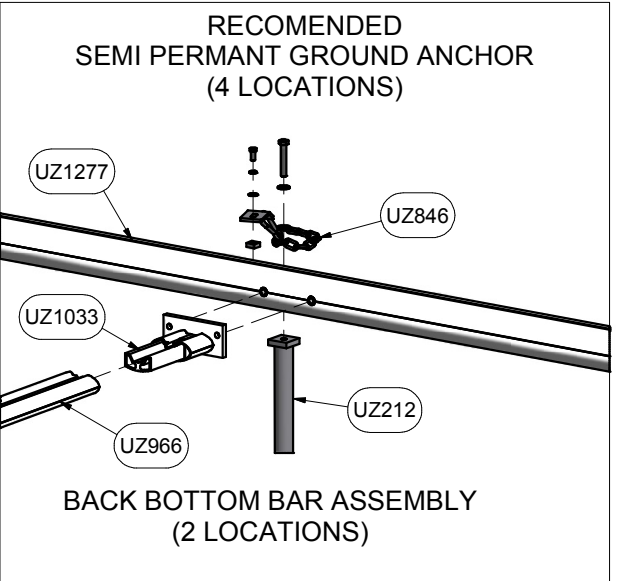
140 Pacific Drive
Quakertown, Pa. 18951

Approved By:
Date:
Drawn By: CSpeck
Date: 9/1/2006
Sheet: 3 of 4
Revision #: 3
Cad File: 2B3906.idw

Part #: **2B3906**
Desc: 8' X 24' FUSION GOAL



Parts List		
Part #	Qty	Description
VZ328P1	2	BACKSTAY
VZ328P2	2	BACKSTAY BRACE
UZ987	1	RAIL, 4 RND V-TRACK2
UZ989	2	RAIL CORNER, 4 RND V-TRACK2
UZ998	2	POST CORNER, 4 RND V-TRACK2
UZ737	2	Front Post Brace
UZ1276	1	LEFT POST, 4 RND V-TRACK2
UZ1273	1	RIGHT POST, 4 RND V-TRACK2
UZ1036	2	WEIGHT BAR, 2B3906
UZ1035	2	SLEEVE, BASE CAP
UZ1033	2	BACK BOTTOM BAR BRACKET
UZ966	1	BACK BOTTOM BAR, 2B3406
UZ1277	2	BASE, 4 RND V-TRACK2
UZ846	4	Chain Assembly, Grnd Anchor
UZ212	4	GROUND ANCHOR ASSEMBLY
3B5921	1	NET 5' DEPTH, 3mm WHITE
UZ691	4	Threaded Channel Spacer
VZ349	5	FLAT PROOF TIRE
TZ297	2	1/2 Flat Washer, SAE



DIMENSIONS ARE IN INCHES
UNLESS OTHERWISE SPECIFIED

This item is the **exclusive**
property of **KWIK GOAL LTD.**
Reproduction or duplication
without the express written
consent of **KWIK GOAL LTD.**
is **strictly forbidden.**



Approved By:
Date:
Drawn By: CSpeck
Date: 9/1/2006
Sheet: 4 of 4
Revision #: 3
Cad File: 2B3906.idw

Part #:
2B3906
Desc:
8' X 24' FUSION GOAL

Finish Info.