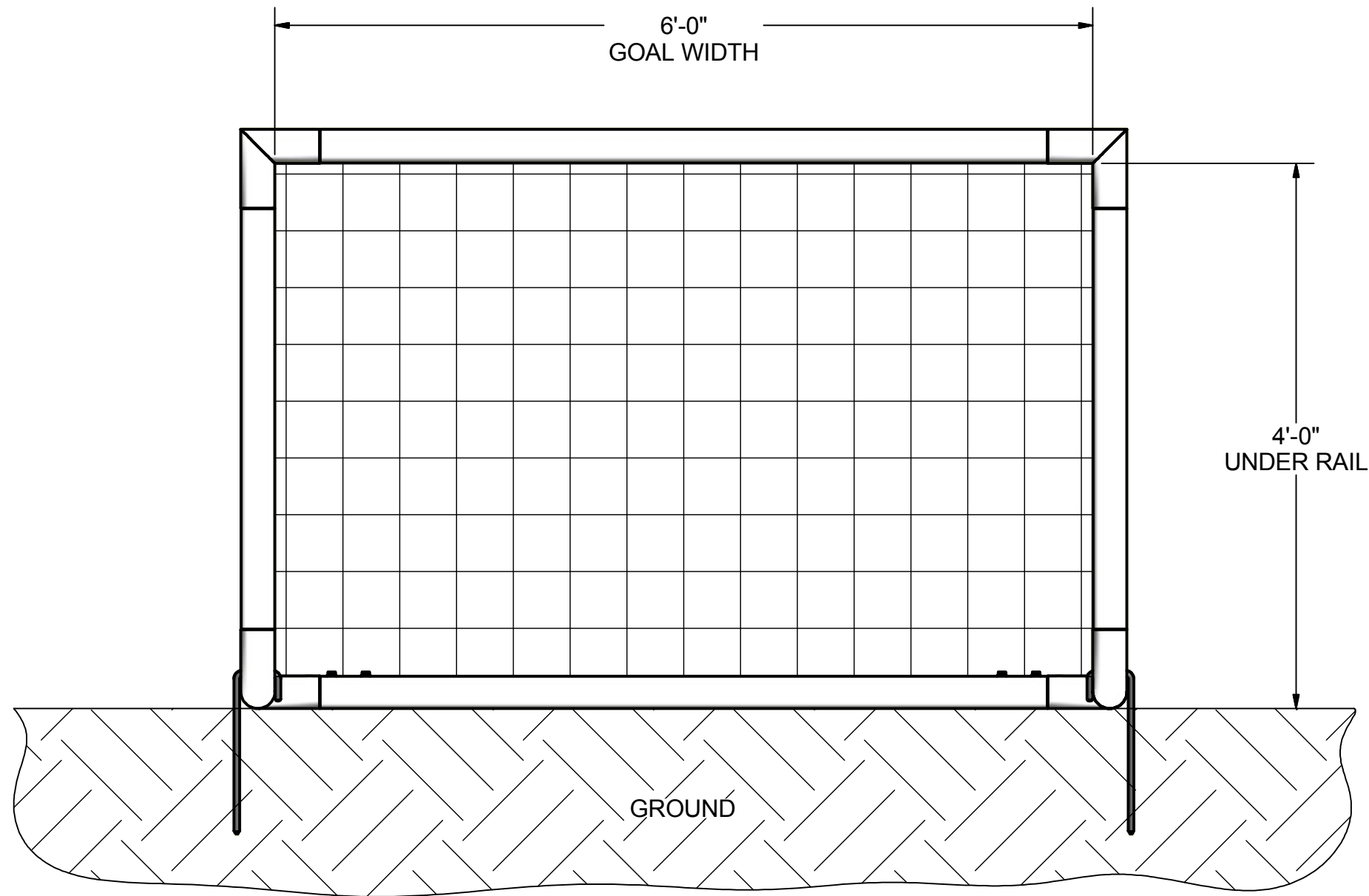
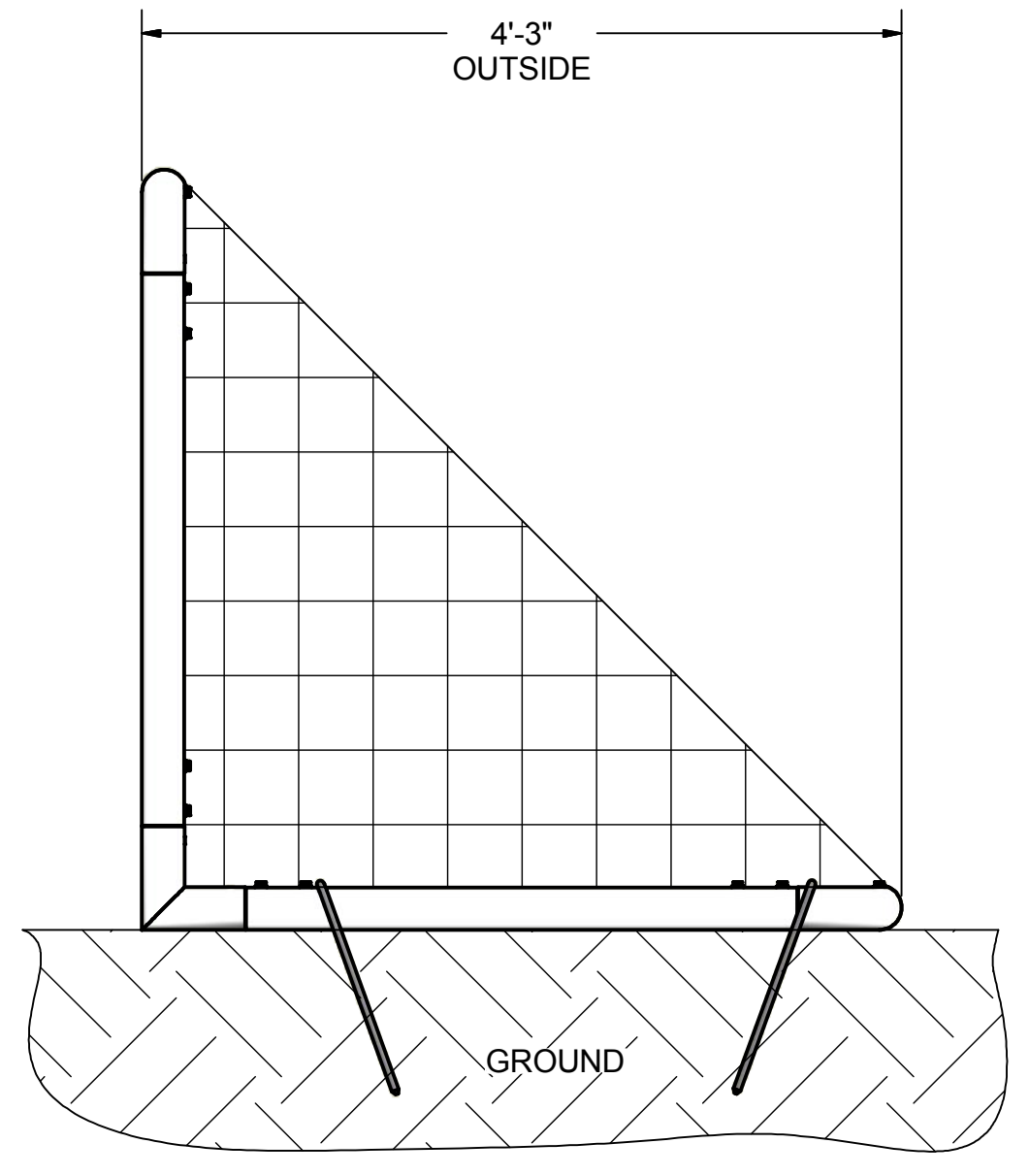


FRONT VIEW



SIDE VIEW



FEATURES:

- 1) ALUMINUM GOAL FRAME
- 2) FINISH: WHITE POWDER COAT
- 3) INCLUDED:

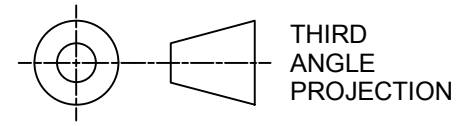
- J- ANCHORS
- 2 mm, ORANGE NET
- BUNGEE NET FASTNERS (WHITE)

4) ASSEMBLED GOAL WEIGHT: 48 LBS.

5) ASTM F2056-00 STANDARD:

THIS GOAL DOES NOT FALL UNDER THE SCOPE OF ASTM F2056-00 BECAUSE OF IT'S SIZE AND/OR WEIGHT

Finish Info.



THIRD ANGLE PROJECTION

KWIKGOAL® 140 Pacific Drive
Quakertown, Pa. 18951

DIMENSIONS ARE IN INCHES UNLESS OTHERWISE SPECIFIED

Approved By:
Date:

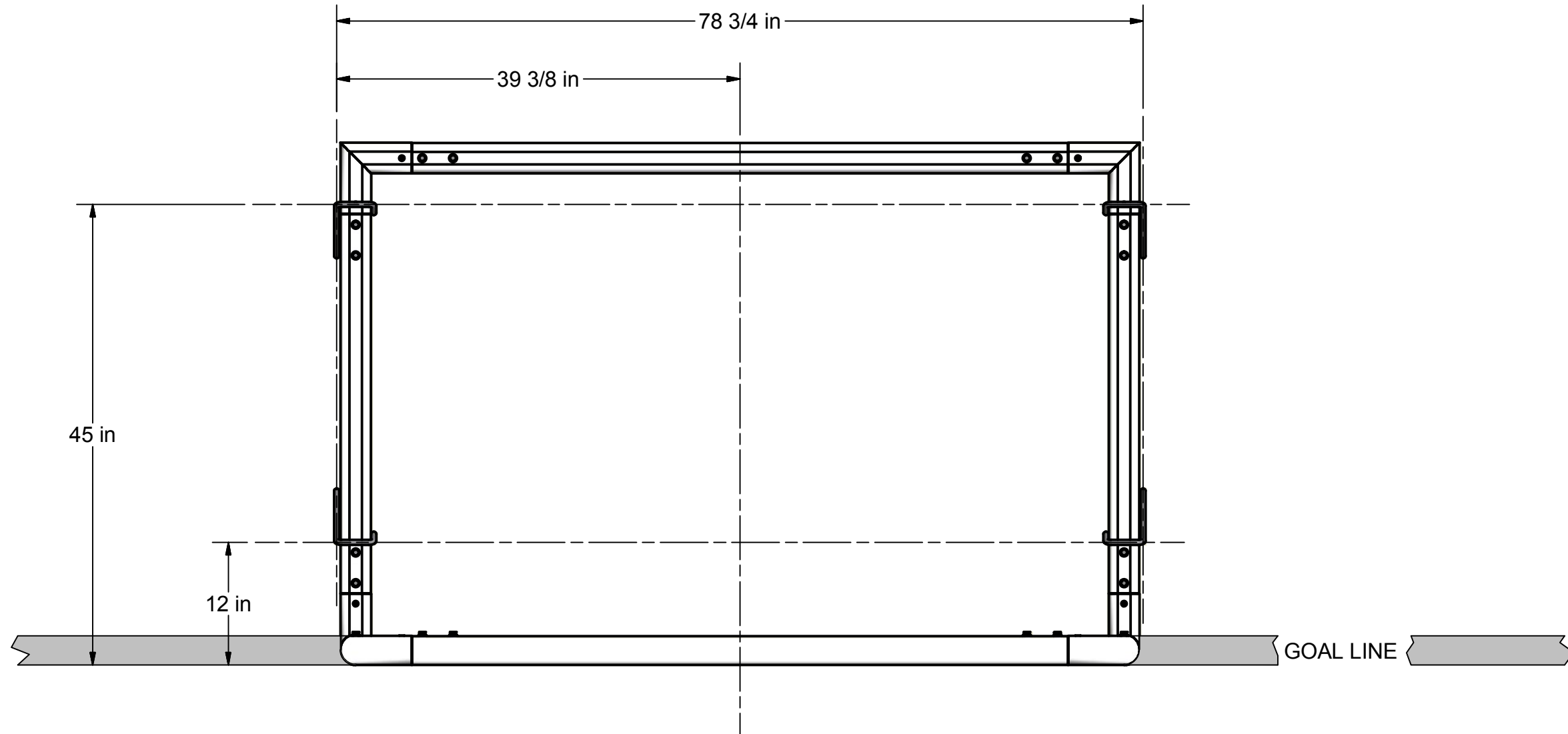
Part #:
2B5001

This item is the **exclusive** property of **KWIK GOAL LTD.** Reproduction or duplication **without** the express written consent of **KWIK GOAL LTD.** is **strictly forbidden.**

Drawn By: KFrish
Date: 2/1/2011
Sheet: 1 of 4
Revision #: -
Cad File: 2B5001.idw

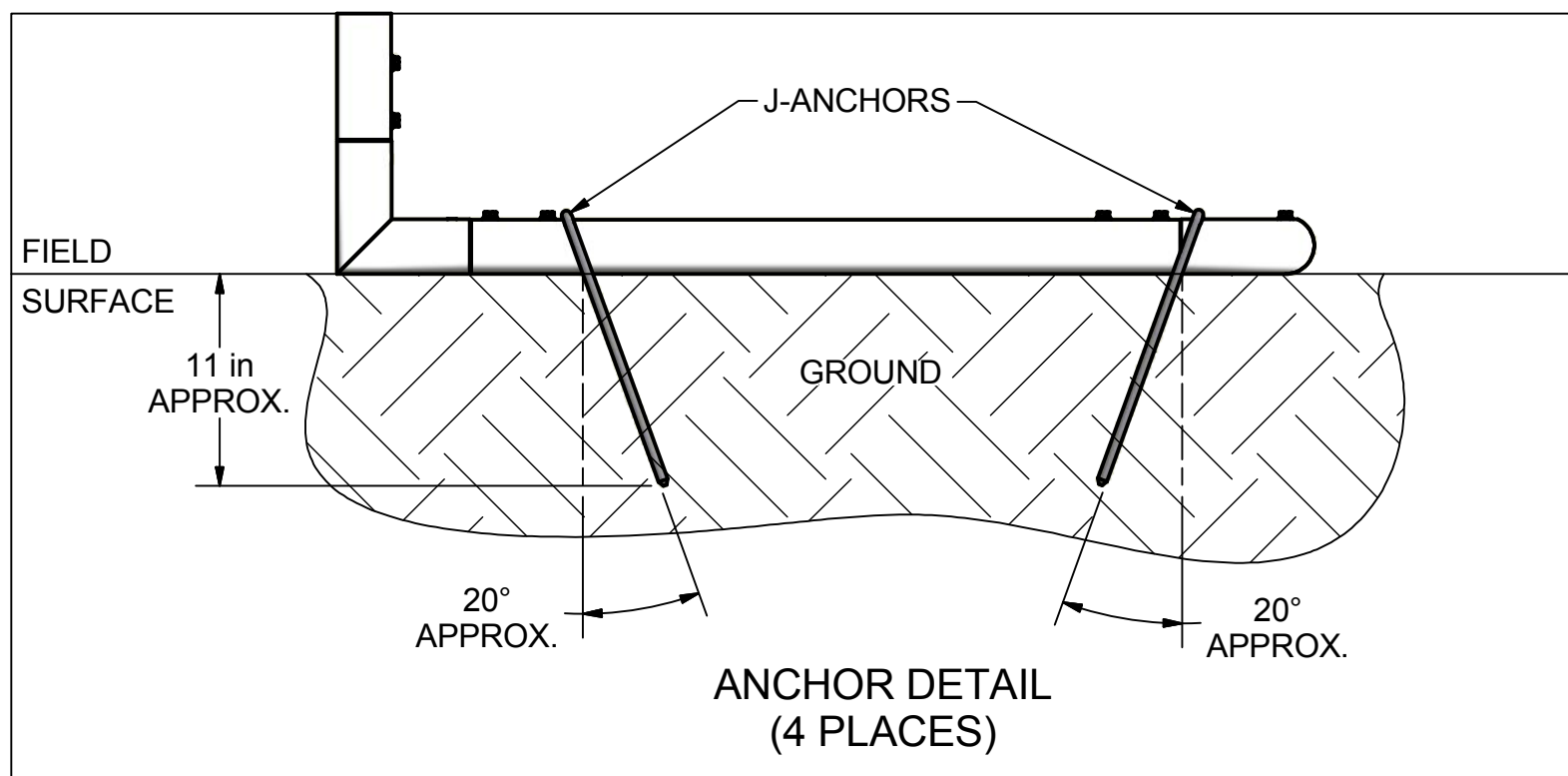
Desc:
4'H X 6'W X 0'D X 4-1/4'B
ACADEMY GOAL

OVERHEAD VIEW



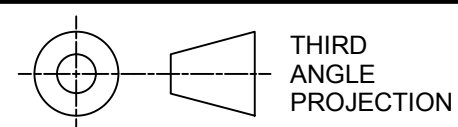
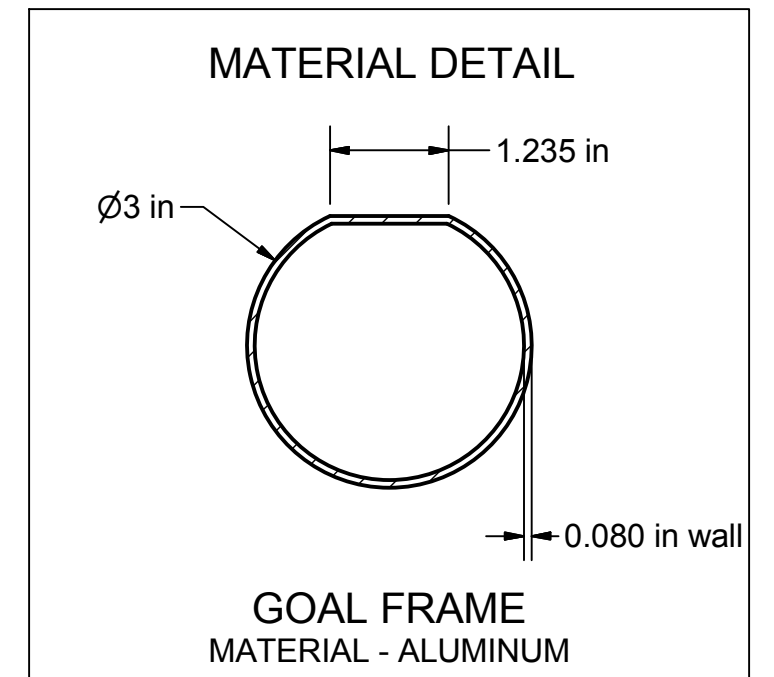
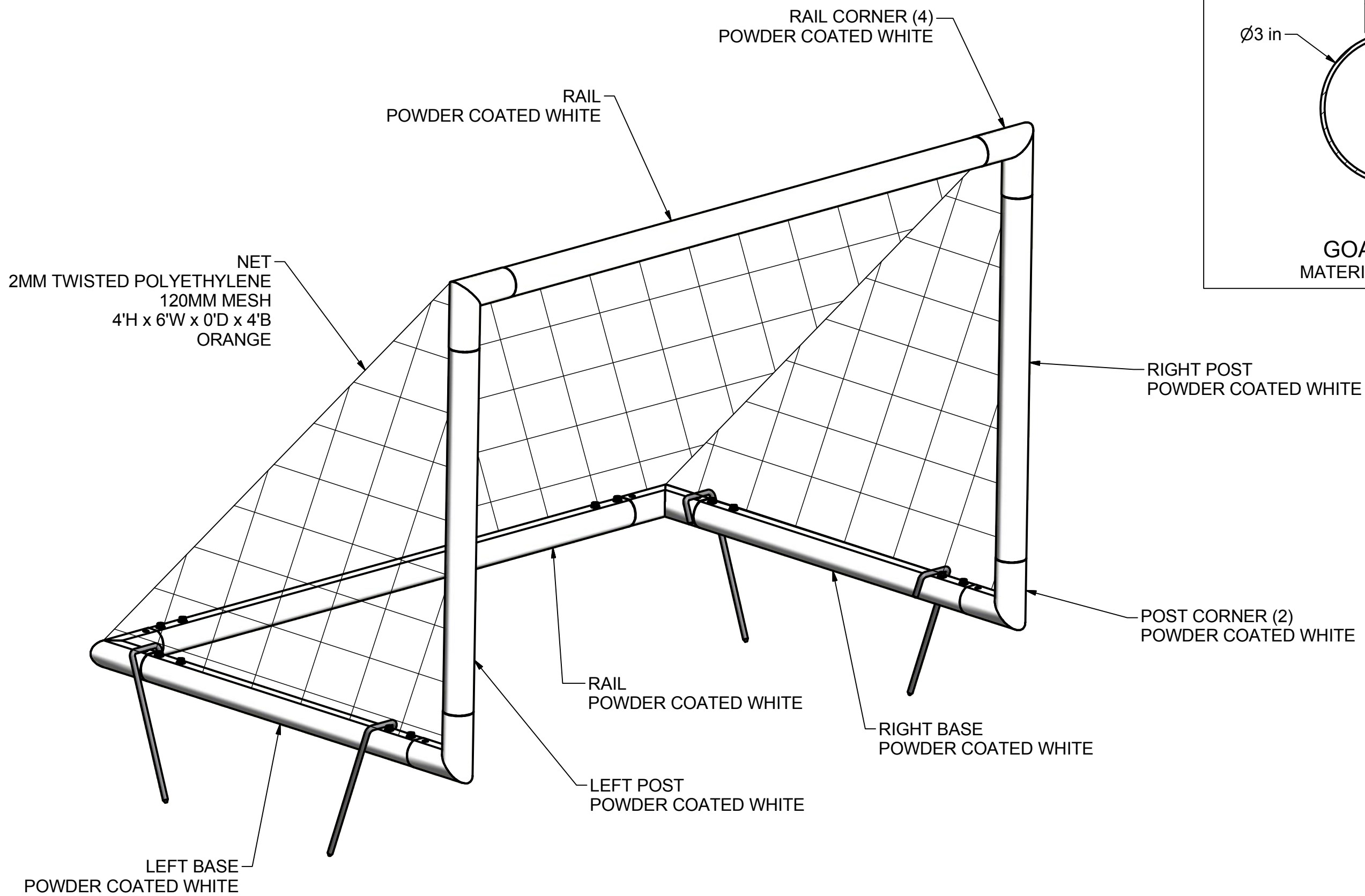
NOTES:

- 1) DIMENSIONS ARE FOR PLANNING PURPOSES. INSTALLATION MUST BE IN ACCORDANCE WITH INSTALLATION INSTRUCTIONS.



Finish Info.

<p>THIRD ANGLE PROJECTION</p>	<p>140 Pacific Drive Quakertown, Pa. 18951</p>	
	<p>DIMENSIONS ARE IN INCHES UNLESS OTHERWISE SPECIFIED</p>	<p>Approved By:</p> <p>Date:</p>
<p>This item is the exclusive property of KWIK GOAL LTD. Reproduction or duplication without the express written consent of KWIK GOAL LTD. is strictly forbidden.</p>	<p>Drawn By: KFrish</p> <p>Date: 2/1/2011</p> <p>Sheet: 2 of 4</p> <p>Revision #: -</p> <p>Cad File: 2B5001.idw</p>	<p>Desc:</p> <p>4'H X 6'W X 0'D X 4-1/4'B ACADEMY GOAL</p>



KWIKGOAL® 140 Pacific Drive
Quakertown, Pa. 18951

DIMENSIONS ARE IN INCHES UNLESS OTHERWISE SPECIFIED

Approved By:
Date:

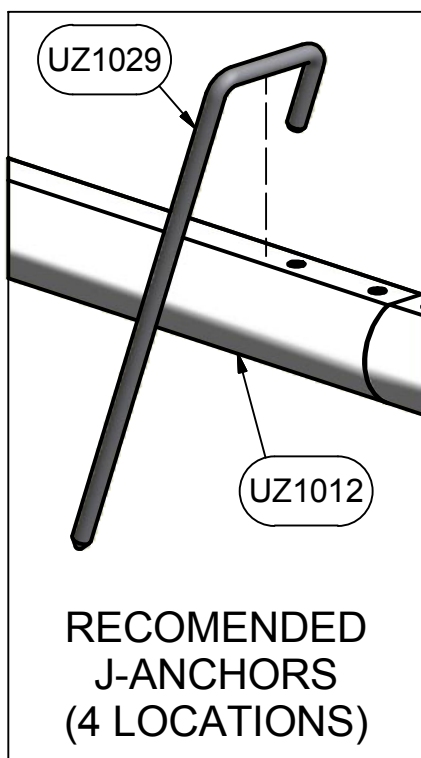
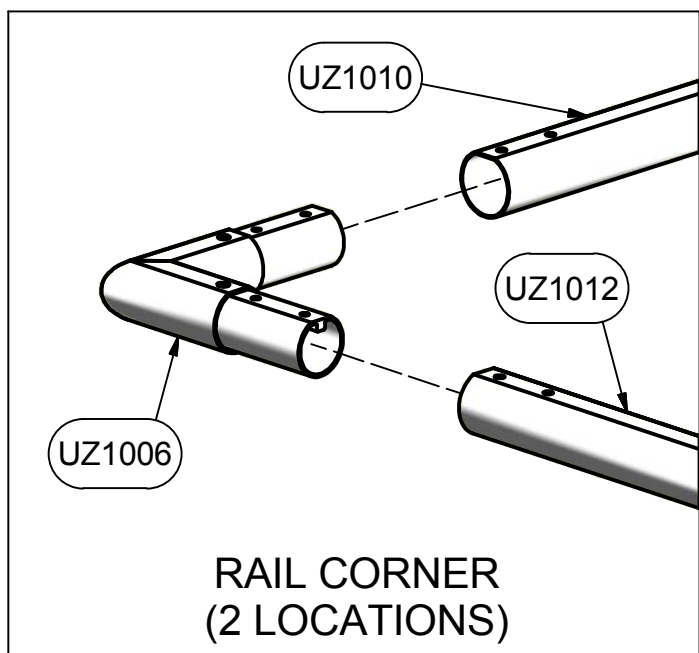
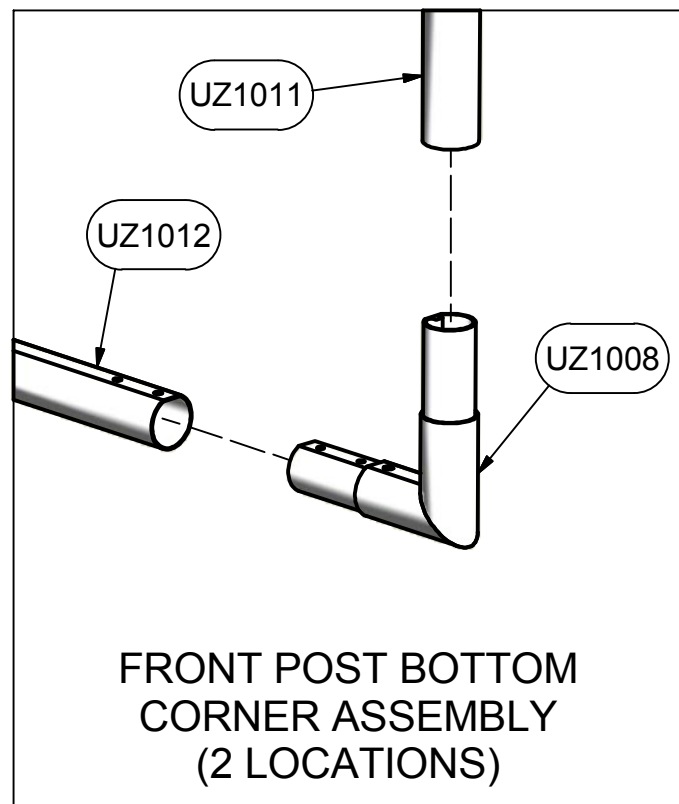
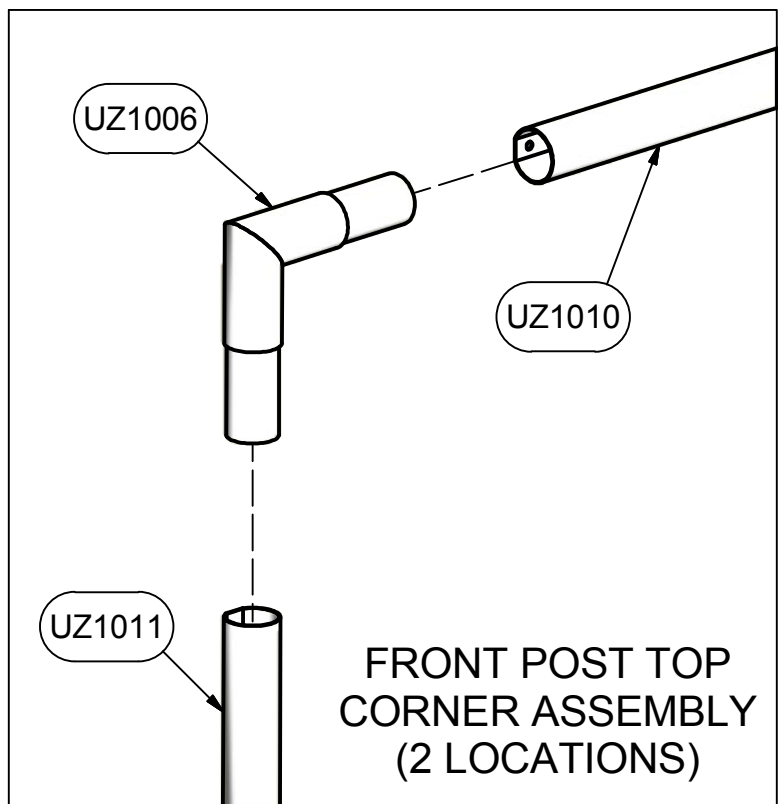
Part #:
2B5001

This item is the **exclusive** property of **KWIK GOAL LTD.** Reproduction or duplication **without** the express written consent of **KWIK GOAL LTD.** is **strictly forbidden.**

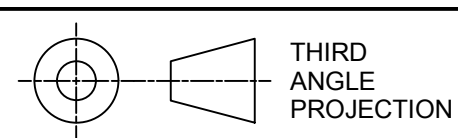
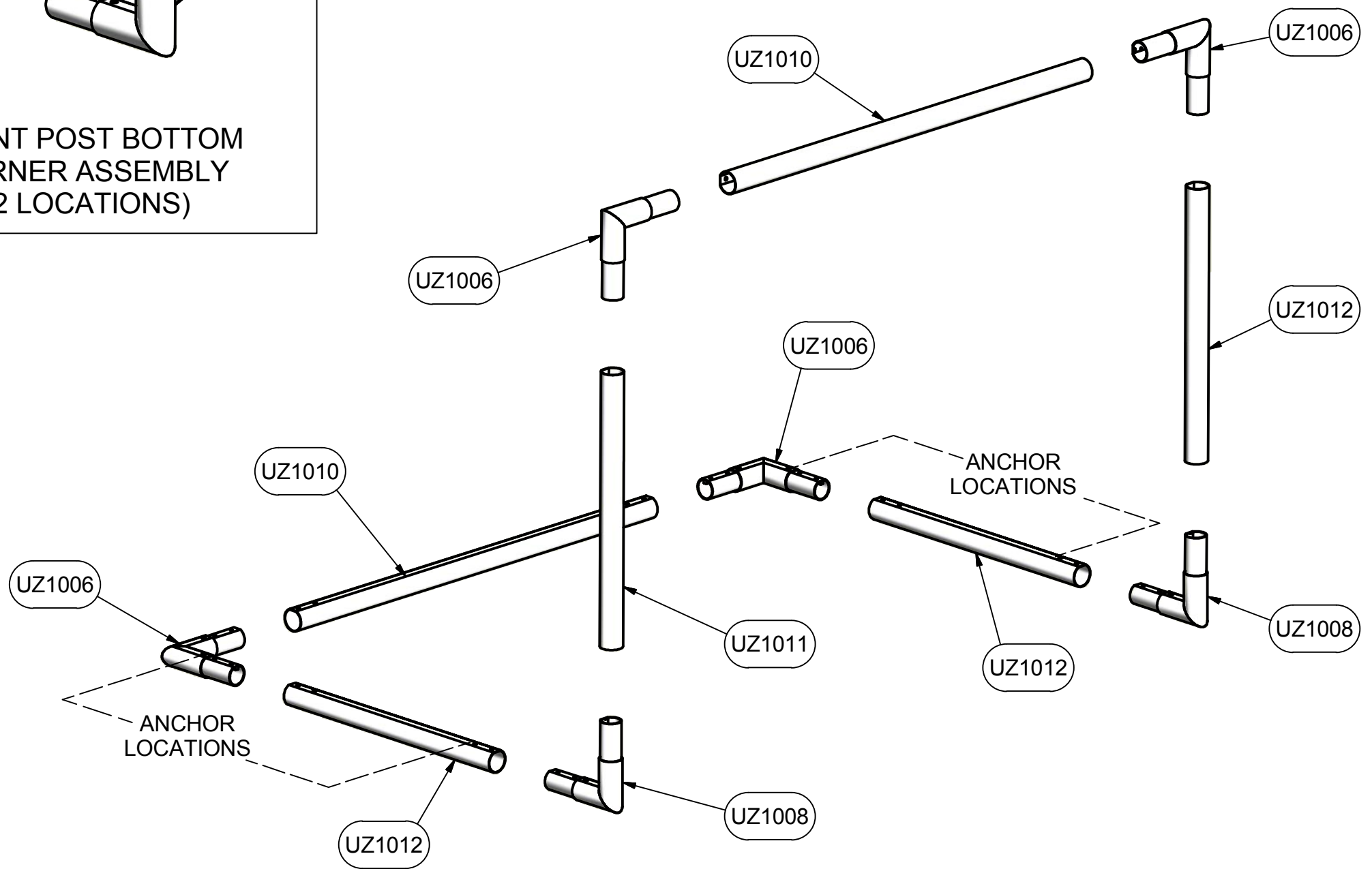
Drawn By: KFrish
Date: 2/1/2011
Sheet: 3 of 4
Revision #: -
Cad File: 2B5001.idw

Desc:
4'H X 6'W X 0'D X 4-1/4'B
ACADEMY GOAL

Finish Info.



Parts List			
Part #	Qty	Description	Material
UZ1010	2	RAIL, 2B5001	ALUMINUM
UZ1011	1	POST, 2B5001	ALUMINUM
UZ1012	3	BASE, 2B5001	ALUMINUM
UZ1006	4	CORNER ASSEMBLY, RAIL	ALUMINUM
UZ1008	2	CORNER ASSEMBLY, POST	ALUMINUM
3B3311	1	NET, 2MM ROPE, 120MM MESH	PE, ORANGE
UZ1029	4	ANCHOR PEG, J-STYLE	Zinc Plated Steel



KWIKGOAL® 140 Pacific Drive
Quakertown,
Pa. 18951

DIMENSIONS ARE IN INCHES
UNLESS OTHERWISE SPECIFIED

Approved By:
Date:

Part #:
2B5001

This item is the **exclusive**
property of **KWIK GOAL LTD.**
Reproduction or duplication
without the express written
consent of **KWIK GOAL LTD.**
is **strictly forbidden.**

Drawn By: KFrish
Date: 2/1/2011
Sheet: 4 of 4
Revision #: -
Cad File: 2B5001.idw

Desc:
4'H X 6'W X 0'D X 4-1/4'B
ACADEMY GOAL

Finish Info.