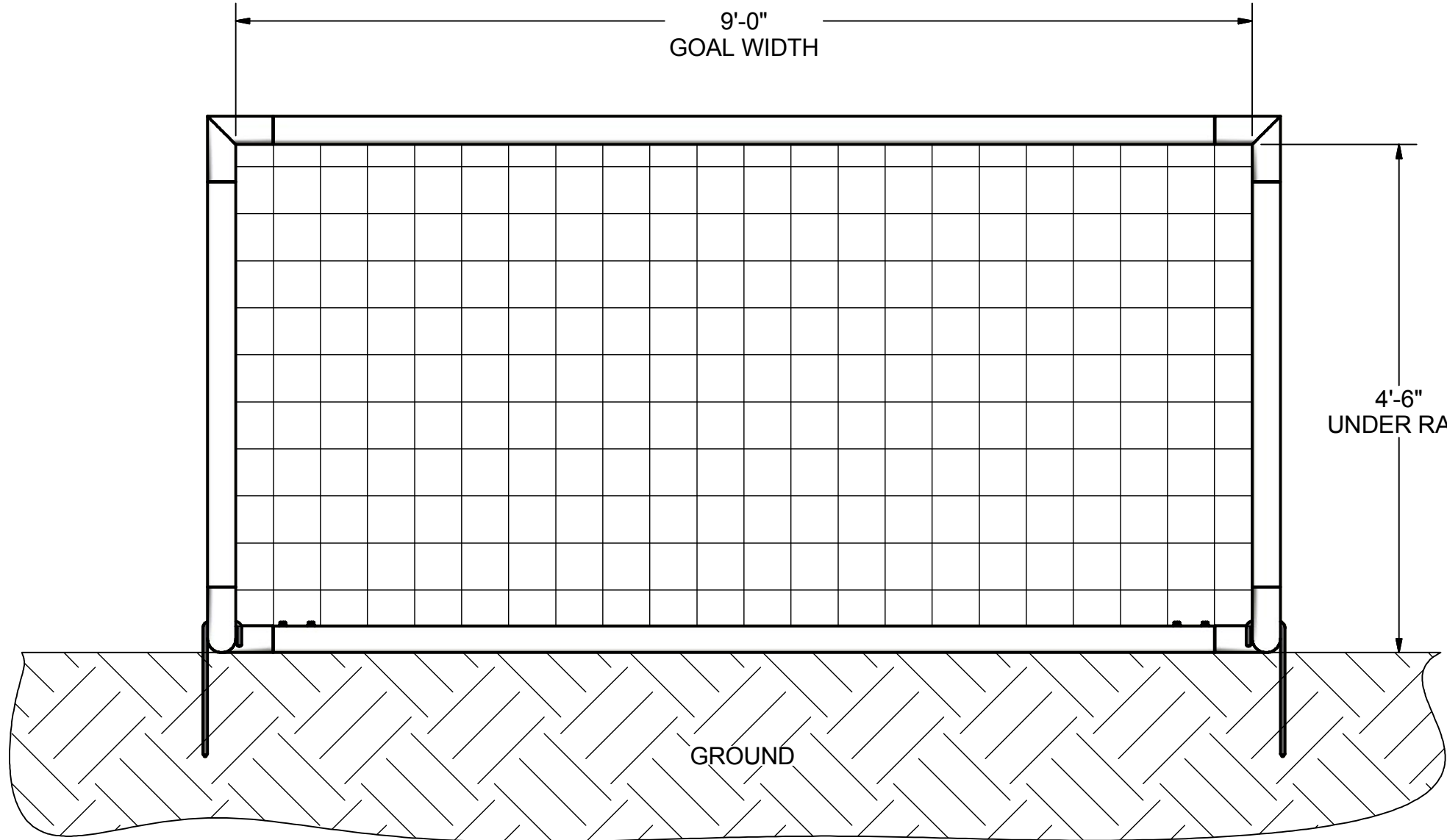


FRONT VIEW

9'-0"  
GOAL WIDTH

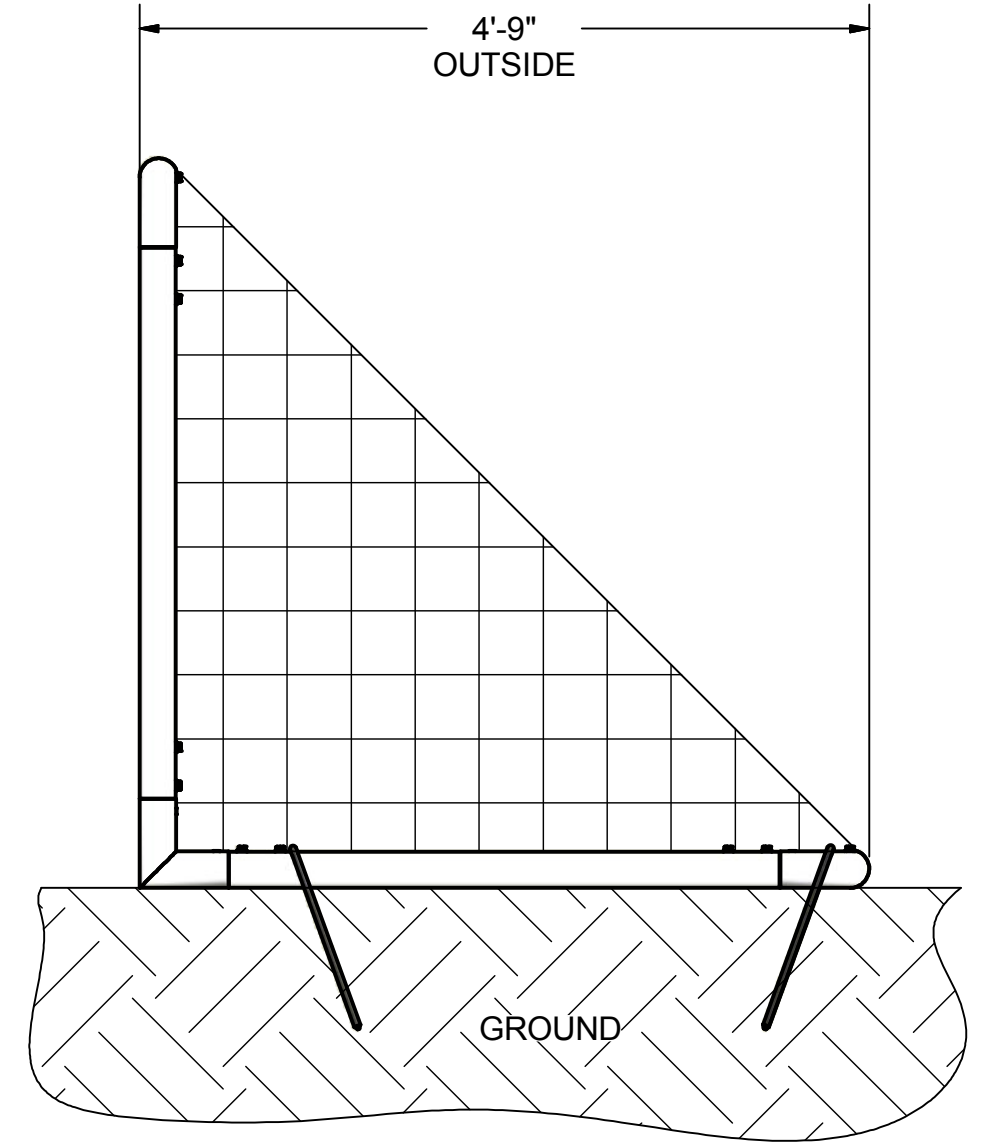


GROUND

4'-6"  
UNDER RAIL

SIDE VIEW

4'-9"  
OUTSIDE



GROUND

FEATURES:

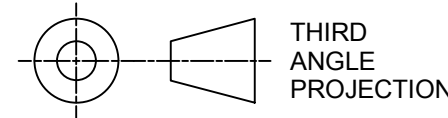
- 1) ALUMINUM GOAL FRAME
- 2) FINISH: WHITE POWDER COAT
- 3) INCLUDED:
  - J- ANCHORS
  - 2 mm, ORANGE NET
  - BUNGEE NET FASTNERS (WHITE)

4) ASSEMBLED GOAL WEIGHT: 56 LBS.

5) ASTM F2056-00 STANDARD:

THIS GOAL DOES NOT FALL UNDER THE SCOPE  
OF ASTM F2056-00 BECAUSE OF IT'S SIZE AND/OR WEIGHT

**Finish Info.**



THIRD  
ANGLE  
PROJECTION



DIMENSIONS ARE IN INCHES  
UNLESS OTHERWISE SPECIFIED

This item is the **exclusive**  
property of **KWIK GOAL LTD.**  
Reproduction or duplication  
**without** the express written  
consent of **KWIK GOAL LTD.**  
is **strictly forbidden.**

Approved By:

Date:

Drawn By: KFrish

Date: 2/1/2011

Sheet: 1 of 4

Revision #: -

Cad File: 2B5002.idw

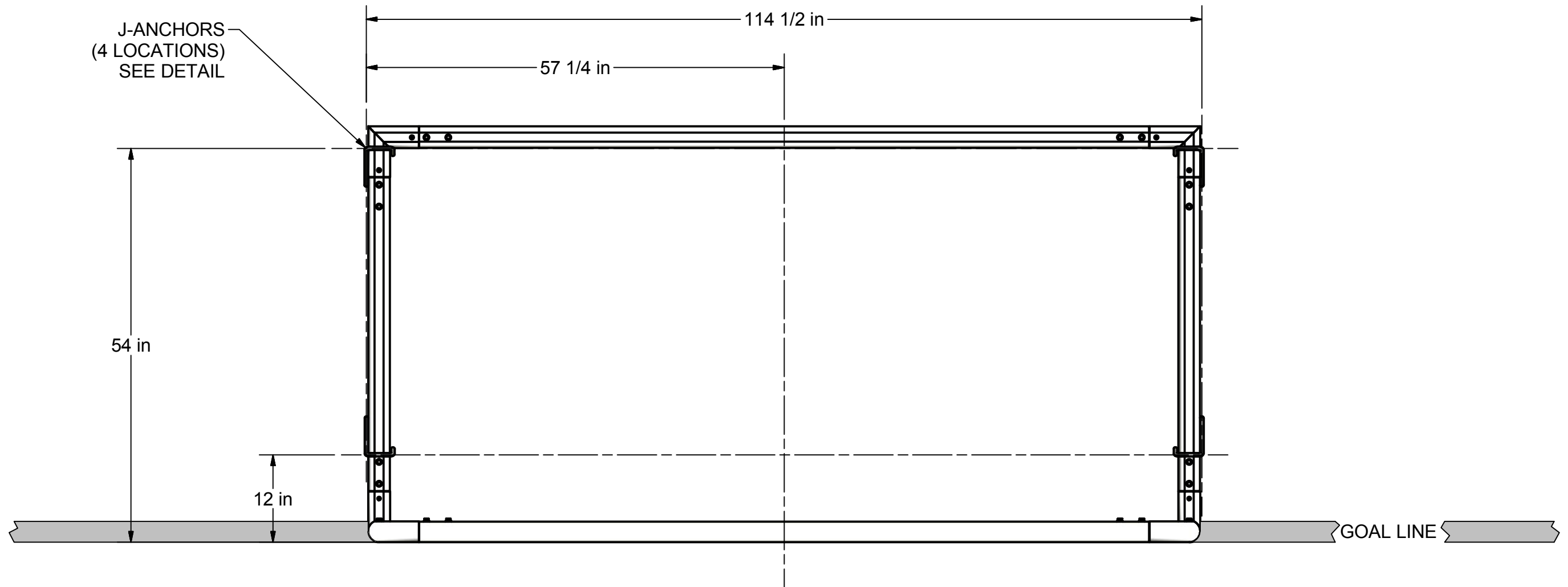
Part #:

**2B5002**

Desc:

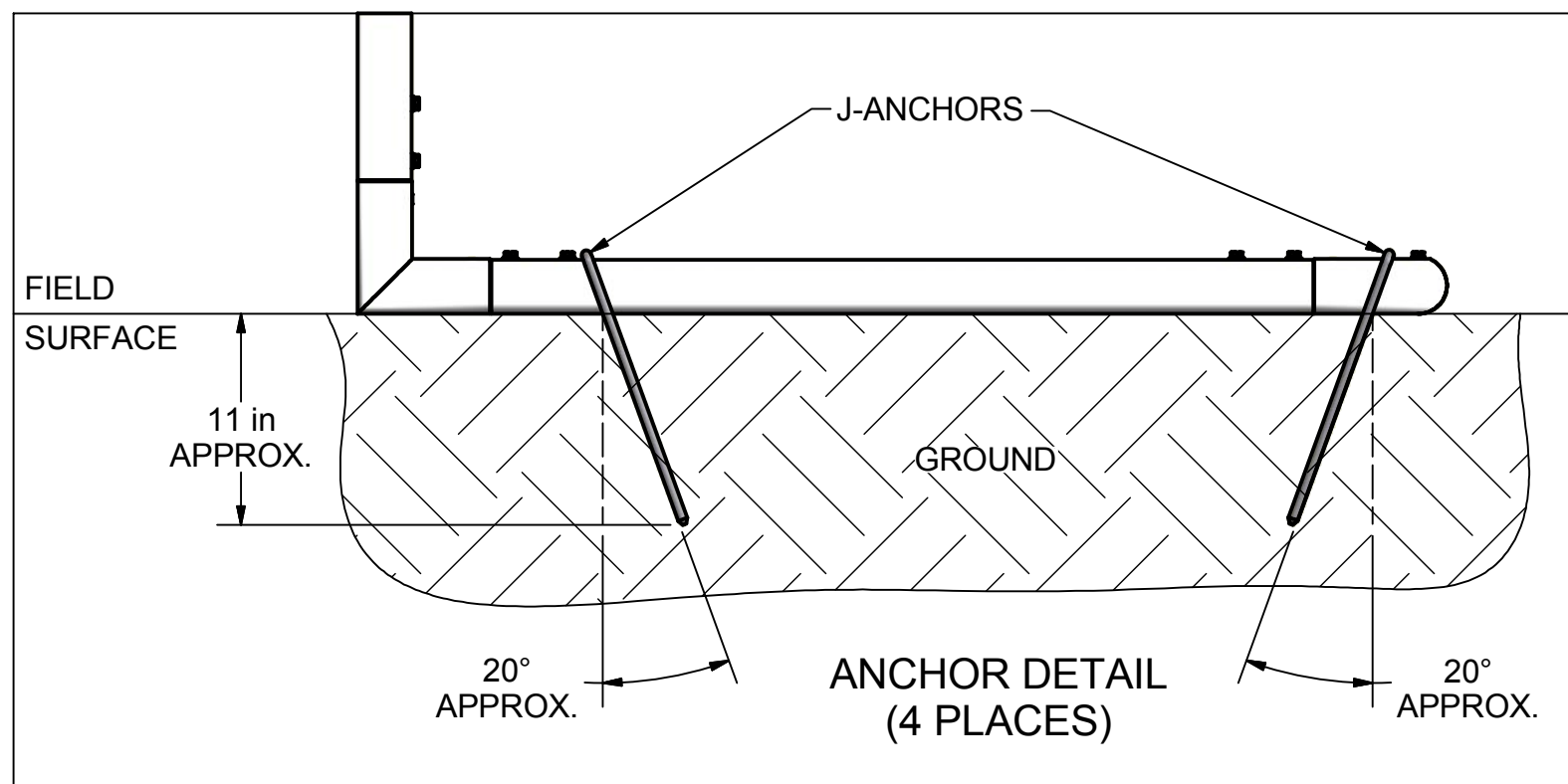
4-1/2'H X 9'W X 0'D X 4-3/4'B  
ACADEMY GOAL

OVERHEAD VIEW

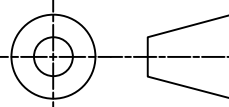


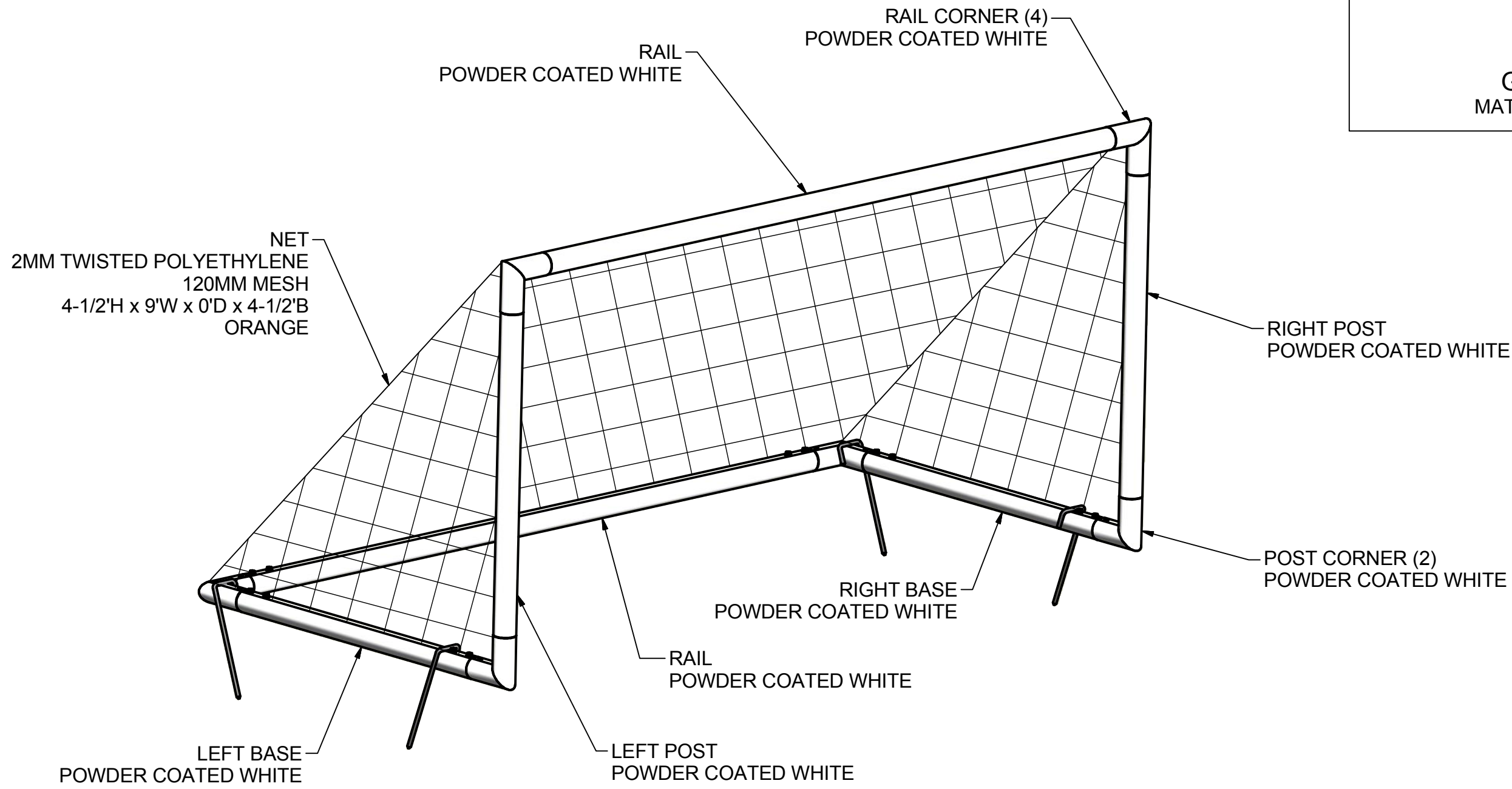
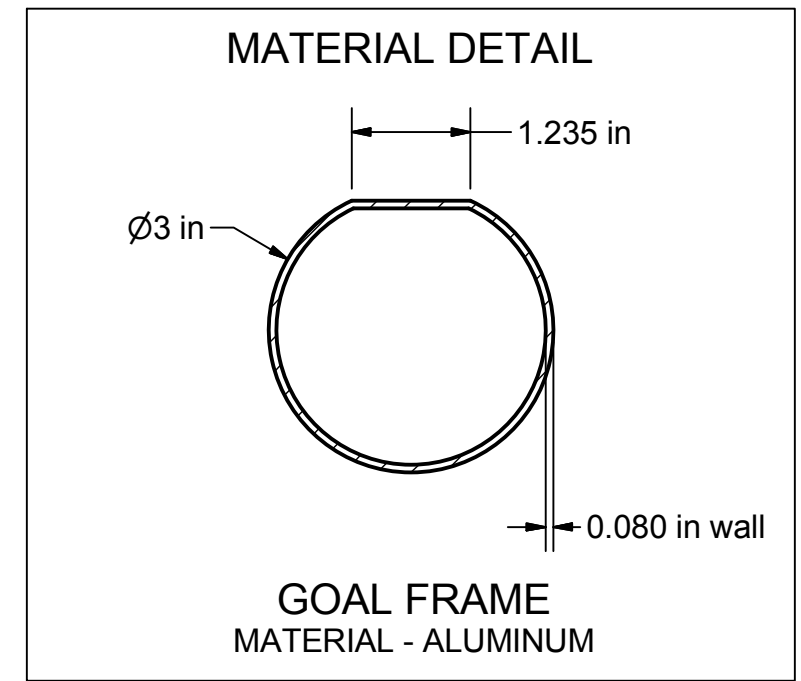
NOTES:

- 1) DIMENSIONS ARE FOR PLANNING PURPOSES. INSTALLATION MUST BE IN ACCORDANCE WITH INSTALLATION INSTRUCTIONS.



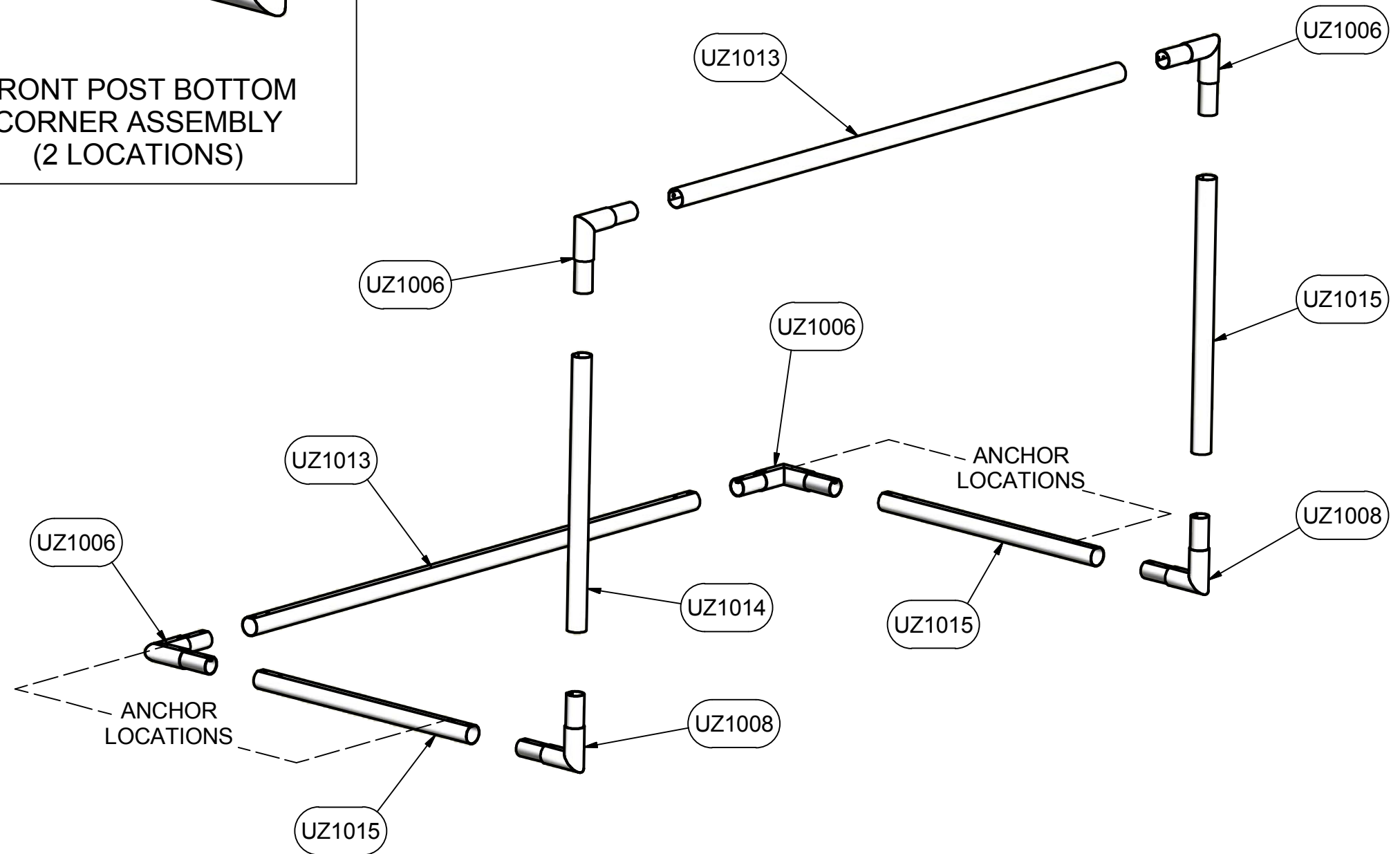
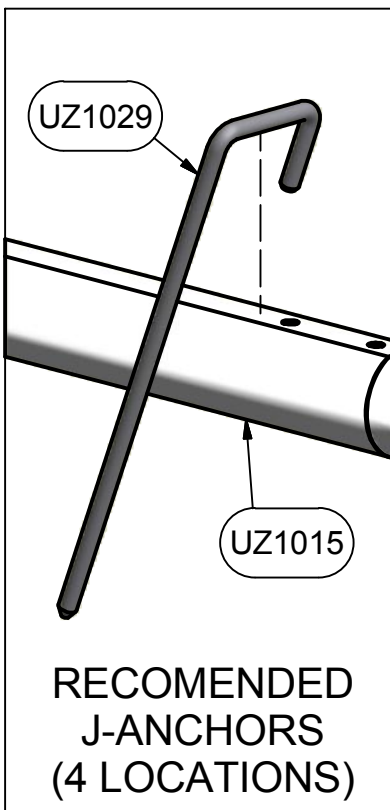
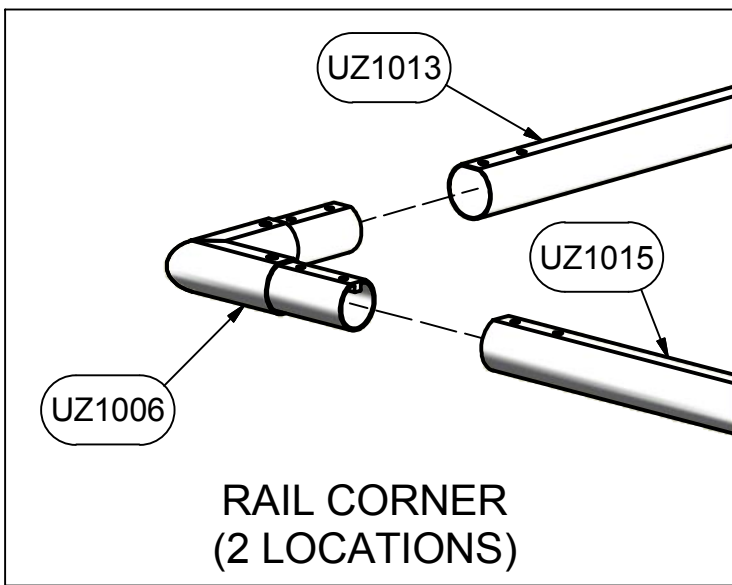
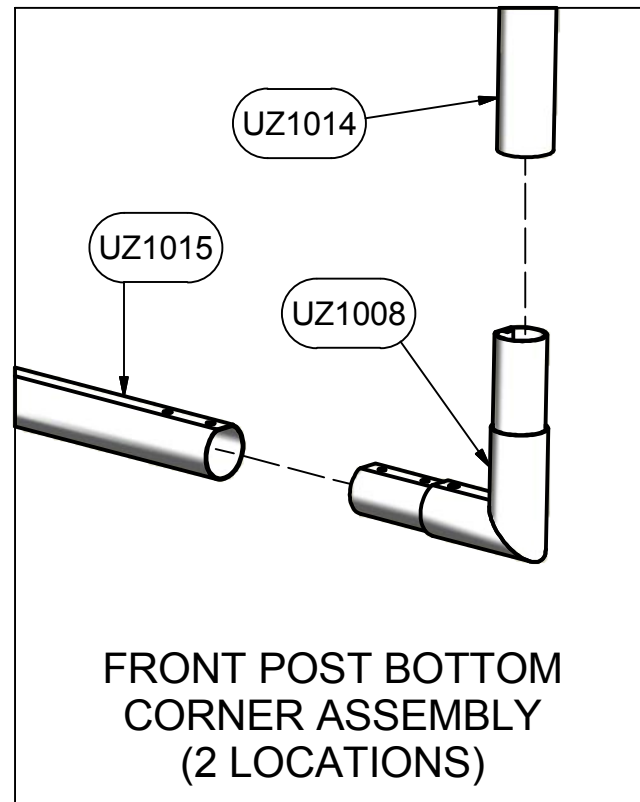
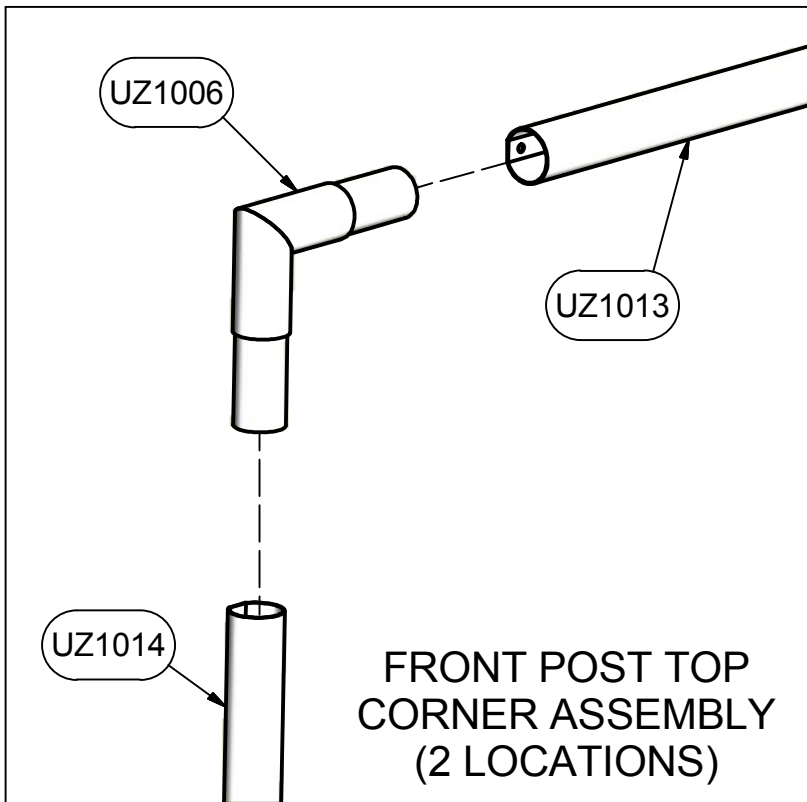
Finish Info.

 THIRD ANGLE PROJECTION	 <b>KWIKGOAL</b> ® 140 Pacific Drive Quakertown, Pa. 18951	
	DIMENSIONS ARE IN INCHES UNLESS OTHERWISE SPECIFIED	Approved By: Date:
This item is the <b>exclusive</b> property of <b>KWIK GOAL LTD.</b> Reproduction or duplication <b>without</b> the express written consent of <b>KWIK GOAL LTD.</b> is <b>strictly forbidden.</b>	Drawn By: KFrish Date: 2/1/2011 Sheet: 2 of 4 Revision #: - Cad File: 2B5002.idw	Desc: 4-1/2'H X 9'W X 0'D X 4-3/4'B ACADEMY GOAL

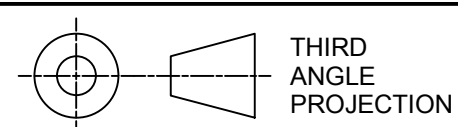


<p>THIRD ANGLE PROJECTION</p>	<p>140 Pacific Drive Quakertown, Pa. 18951</p>	
<p>DIMENSIONS ARE IN INCHES UNLESS OTHERWISE SPECIFIED</p> <p>This item is the <b>exclusive</b> property of <b>KWIK GOAL LTD.</b> Reproduction or duplication <b>without</b> the express written consent of <b>KWIK GOAL LTD.</b> is <b>strictly forbidden.</b></p>	<p>Approved By:</p>	<p>Part #:</p> <p style="font-size: 24pt; text-align: center;"><b>2B5002</b></p>
	<p>Date:</p>	
	<p>Drawn By: KFrish</p>	<p>Desc:</p> <p style="text-align: center;">4-1/2'H X 9'W X 0'D X 4-3/4'B ACADEMY GOAL</p>
	<p>Date: 2/1/2011</p>	
	<p>Sheet: 3 of 4</p>	
<p>Revision #: -</p>	<p>Cad File: 2B5002.idw</p>	

**Finish Info.**



Parts List			
Part #	Qty	Description	Material
UZ1013	2	RAIL, 2B5002	ALUMINUM
UZ1014	1	POST, 2B5002	ALUMINUM
UZ1015	3	BASE, 2B5002	ALUMINUM
UZ1006	4	CORNER ASSEMBLY, RAIL	ALUMINUM
UZ1008	2	CORNER ASSEMBLY, POST	ALUMINUM
3B3411	1	NET, 2MM ROPE, 120MM MESH	PE, ORANGE
UZ1029	4	ANCHOR PEG, J-STYLE	Zinc Plated Steel



**KWIKGOAL**® 140 Pacific Drive  
Quakertown,  
Pa. 18951

DIMENSIONS ARE IN INCHES  
UNLESS OTHERWISE SPECIFIED

Approved By:  
Date:

Part #:  
**2B5002**

This item is the **exclusive**  
property of **KWIK GOAL LTD.**  
Reproduction or duplication  
**without** the express written  
consent of **KWIK GOAL LTD.**  
is **strictly forbidden.**

Drawn By: KFrish  
Date: 2/1/2011  
Sheet: 4 of 4  
Revision #: -  
Cad File: 2B5002.idw

Desc:  
4-1/2'H X 9'W X 0'D X 4-3/4'B  
ACADEMY GOAL

Finish Info.