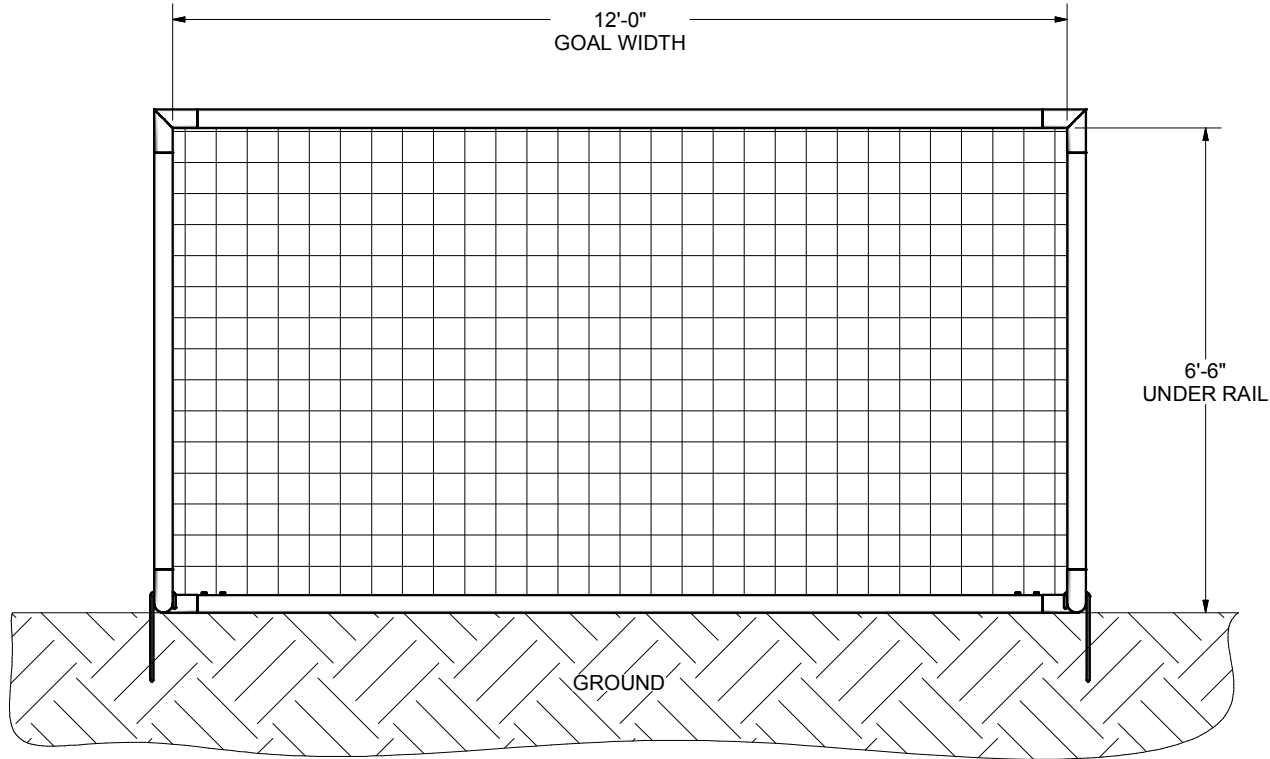
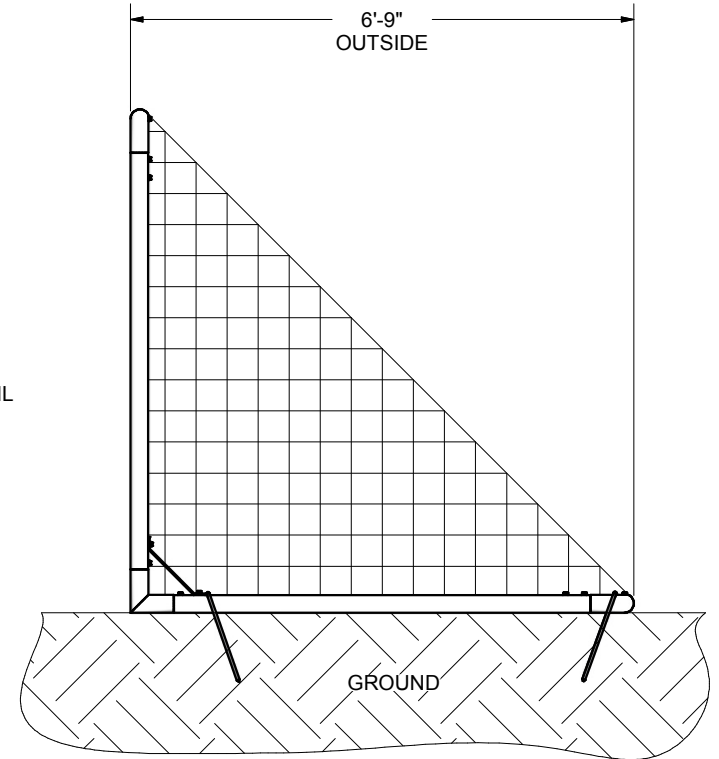


FRONT VIEW



SIDE VIEW



FEATURES:

- 1) ALUMINUM GOAL FRAME
- 2) FINISH: WHITE POWDER COAT
- 3) INCLUDED:

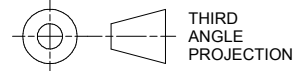
- J- ANCHORS
- 2 mm, ORANGE NET
- BUNGEE NET FASTNERS (WHITE)

4) ASSEMBLED GOAL WEIGHT: 70 LBS.

5) ASTM F2056-00 STANDARD:

THIS GOAL DOES NOT FALL UNDER THE SCOPE OF ASTM F2056-00 BECAUSE OF IT'S SIZE AND/OR WEIGHT

Finish Info. WHITE POWDER COAT



THIRD ANGLE PROJECTION

DIMENSIONS ARE IN INCHES UNLESS OTHERWISE SPECIFIED

This item is the **exclusive** property of **KWIK GOAL LTD.** Reproduction or duplication **without** the express written consent of **KWIK GOAL LTD.** is **strictly forbidden.**



140 Pacific Drive
Quakertown,
Pa. 18951

Approved By:

Date:

Drawn By: BRush

Date: 7/18/2006

Sheet: 1 of 4

Revision #: 1

Cad File: 2B5003.idw

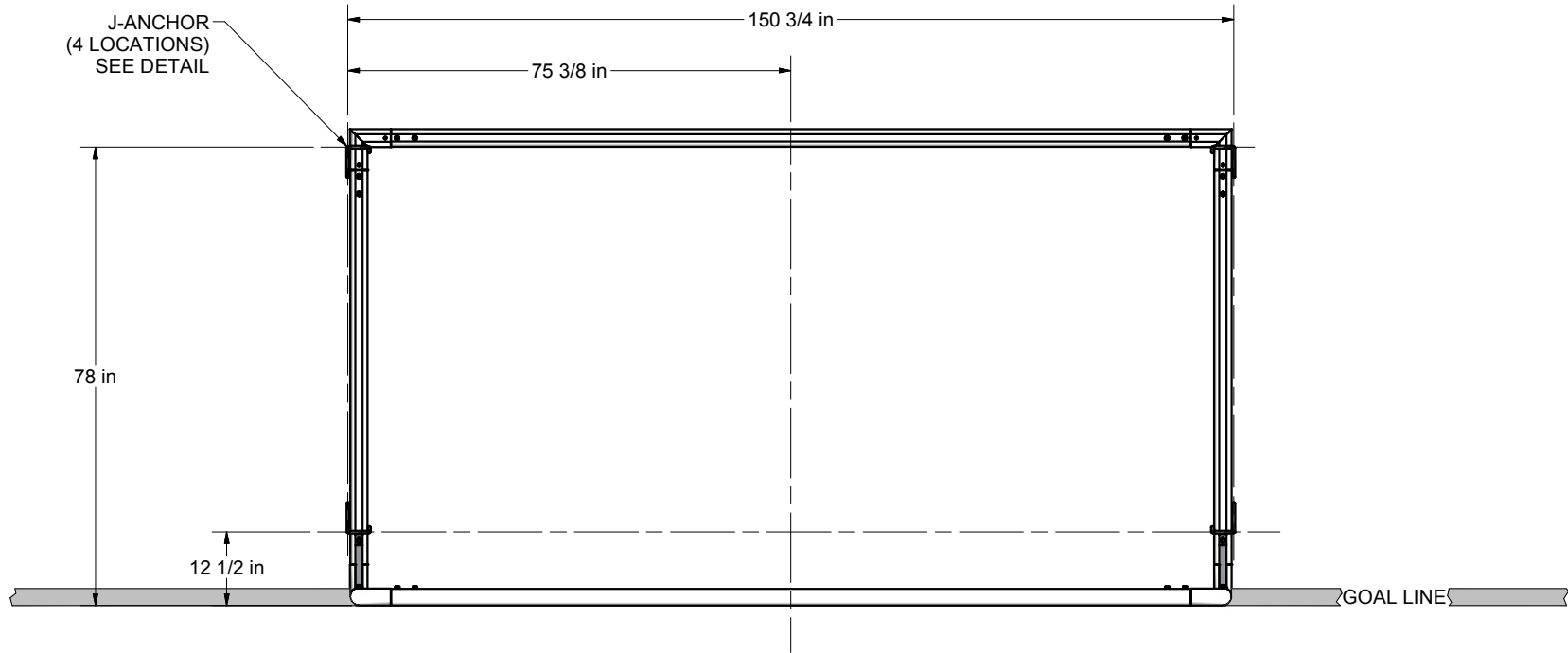
Part #:

2B5003

Desc:

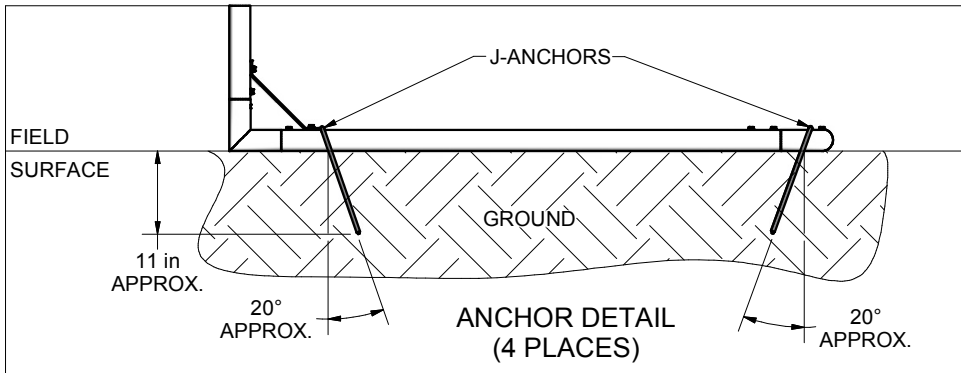
6-1/2'H X 12'W X 0'D X
6-3/4'B ACADEMY GOAL

OVERHEAD VIEW

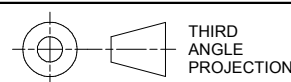


NOTES:

- 1) DIMENSIONS ARE FOR PLANNING PURPOSES. INSTALLATION MUST BE IN ACCORDANCE WITH INSTALLATION INSTRUCTIONS.



Finish Info. WHITE POWDER COAT



THIRD ANGLE PROJECTION

KWIKGOAL® 140 Pacific Drive
Quakertown, Pa. 18951

DIMENSIONS ARE IN INCHES UNLESS OTHERWISE SPECIFIED

Approved By:

Part #:

Date:

2B5003

This item is the **exclusive** property of **KWIK GOAL LTD.** Reproduction or duplication **without** the express written consent of **KWIK GOAL LTD.** is **strictly forbidden.**

Drawn By: BRush

Date: 7/18/2006

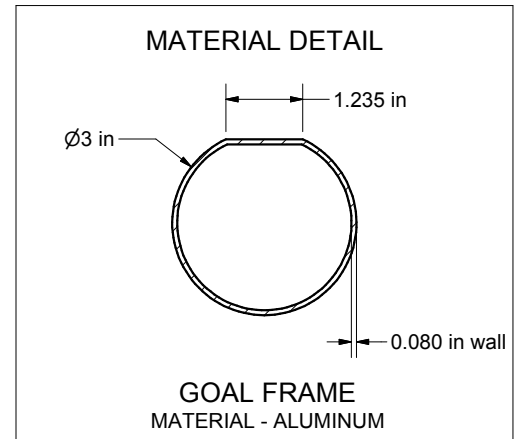
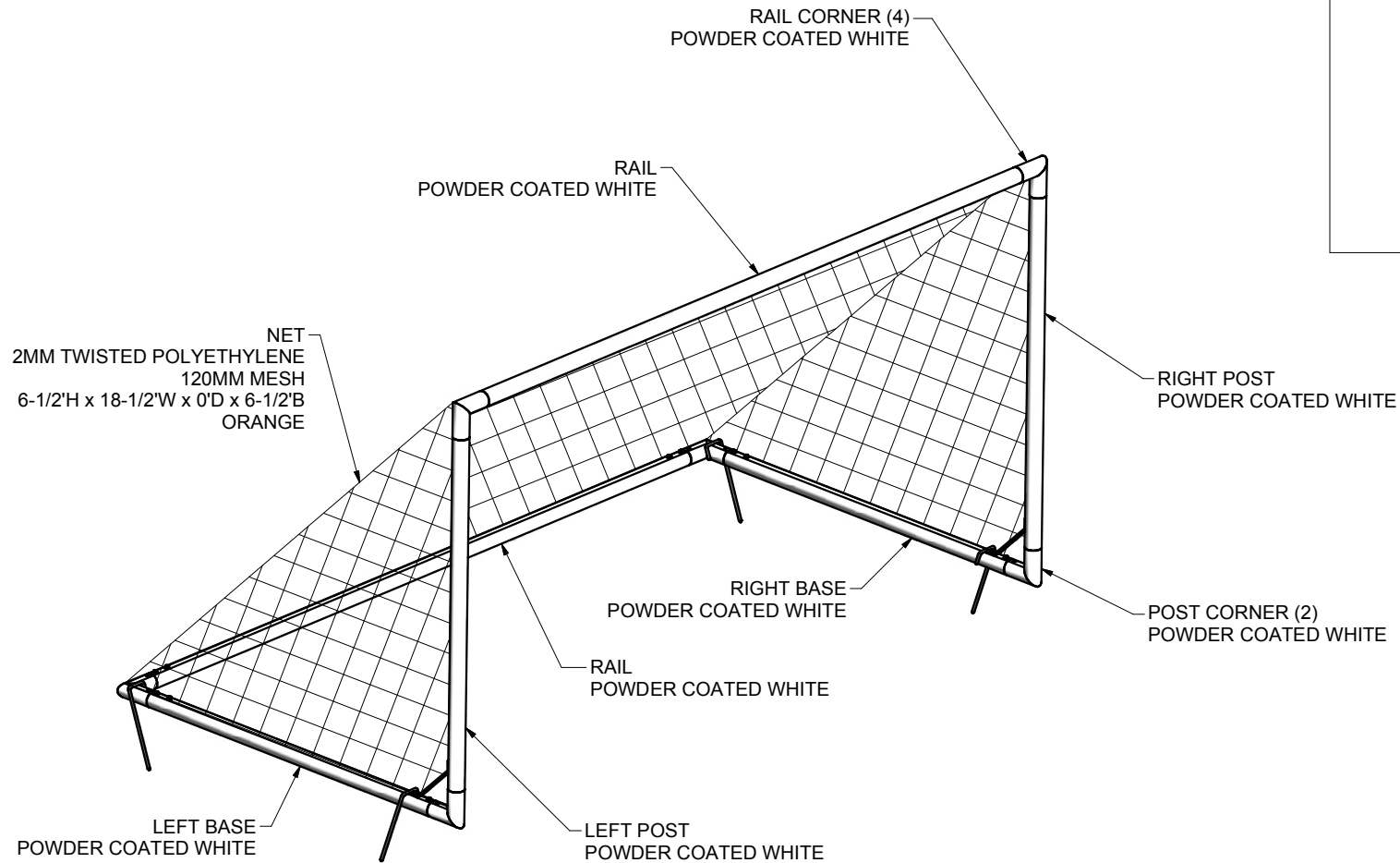
Desc:

Sheet: 2 of 4

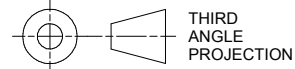
Revision #: 1

6-1/2'H X 12'W X 0'D X
6-3/4'B ACADEMY GOAL

Cad File: 2B5003.idw



Finish Info. WHITE POWDER COAT



KWIKGOAL® 140 Pacific Drive
Quakertown,
Pa. 18951

DIMENSIONS ARE IN INCHES
UNLESS OTHERWISE SPECIFIED

Approved By:

Part #:

Date:

2B5003

This item is the **exclusive** property of **KWIK GOAL LTD.** Reproduction or duplication **without** the express written consent of **KWIK GOAL LTD.** is **strictly forbidden.**

Drawn By: BRush

Date: 7/18/2006

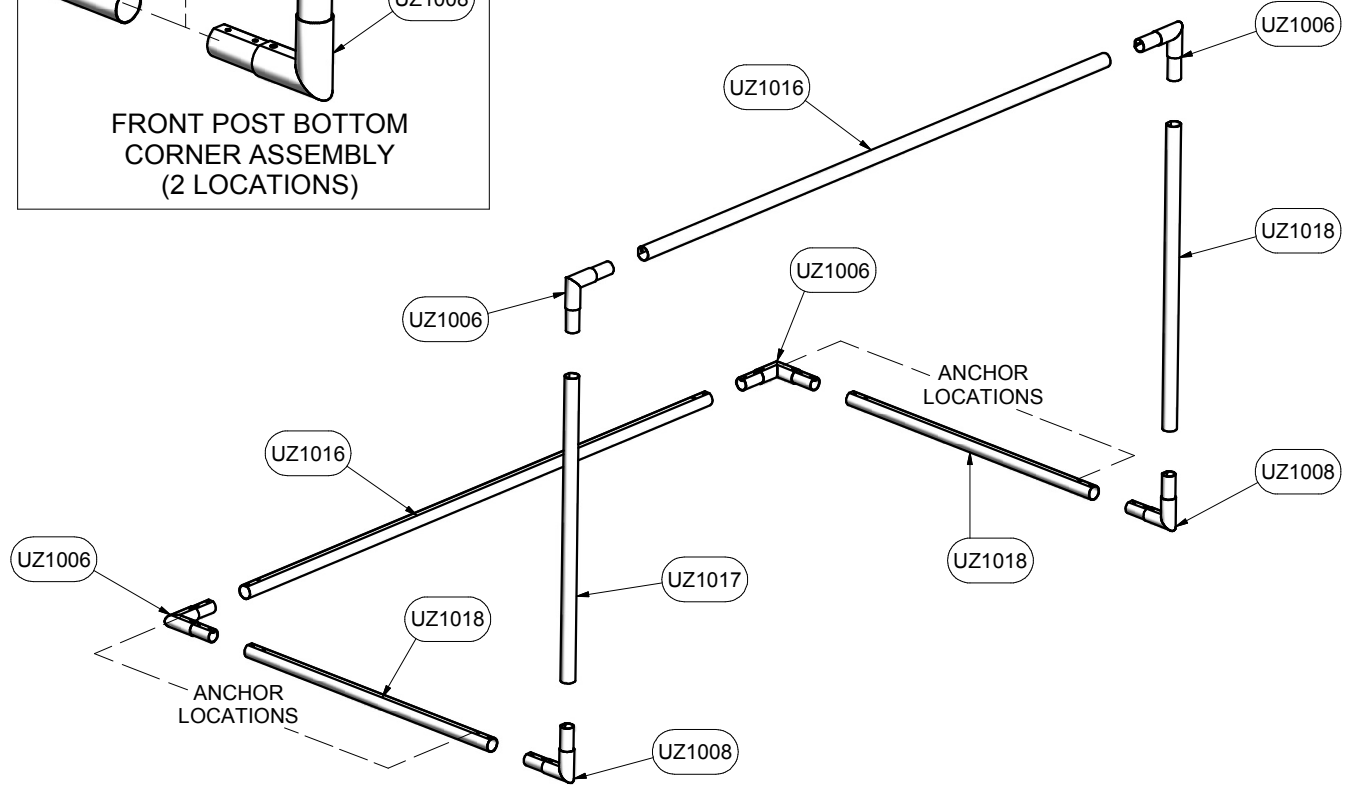
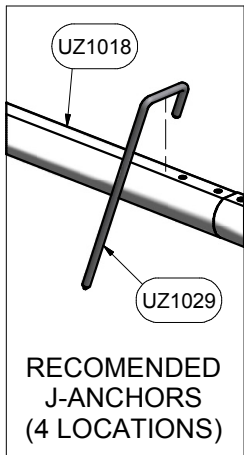
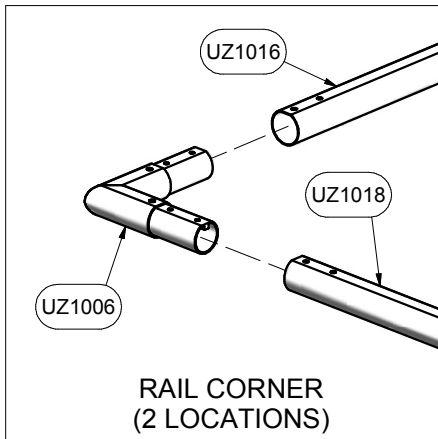
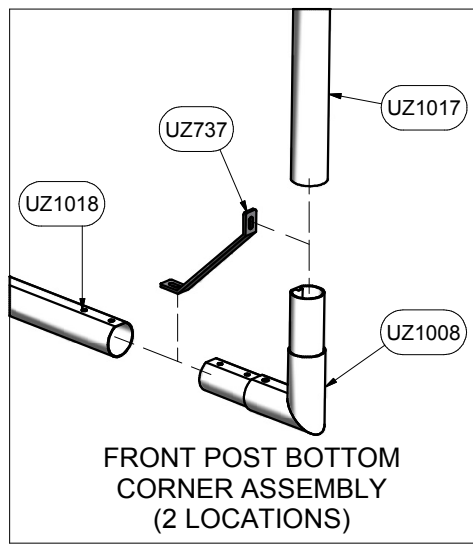
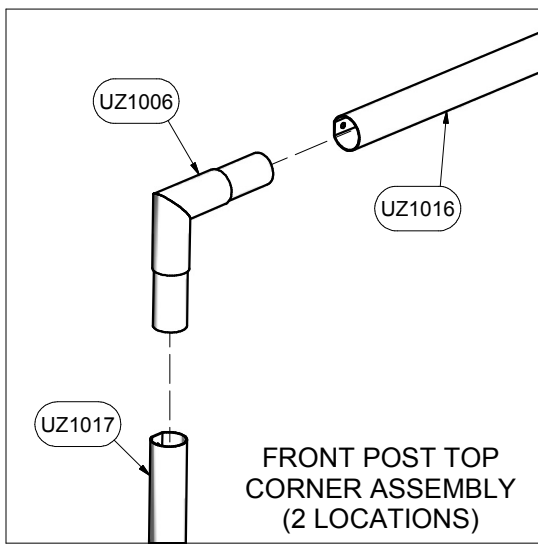
Sheet: 3 of 4

Revision #: 1

Cad File: 2B5003.idw

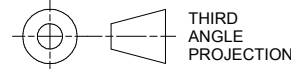
Desc:

6-1/2'H X 12'W X 0'D X
6-3/4'B ACADEMY GOAL



Parts List			
Part #	Qty	Description	Material
UZ1016	2	RAIL, 2B5003	ALUMINUM
UZ1017	1	POST, 2B5003	ALUMINUM
UZ1018	3	BASE, 2B5003/4	ALUMINUM
UZ1006	4	CORNER ASSEMBLY, RAIL	ALUMINUM
UZ1008	2	CORNER ASSEMBLY, POST	ALUMINUM
UZ1029	4	ANCHOR PEG, J-STYLE	Zinc Plated Steel
3B3511	1	NET, 2MM ROPE, 120MM MESH	PE, ORANGE
UZ737	2	Front Post Brace	Zinc Plated Steel

Finish Info. WHITE POWDER COAT



DIMENSIONS ARE IN INCHES
UNLESS OTHERWISE SPECIFIED

This item is the **exclusive**
property of **KWIK GOAL LTD.**
Reproduction or duplication
without the express written
consent of **KWIK GOAL LTD.**
is **strictly forbidden.**



Approved By:

Date:

Drawn By: BRush

Date: 7/18/2006

Sheet: 4 of 4

Revision #: 1

Cad File: 2B5003.idw

Part #:
2B5003

Desc:
6-1/2'H X 12'W X 0'D X
6-3/4'B ACADEMY GOAL