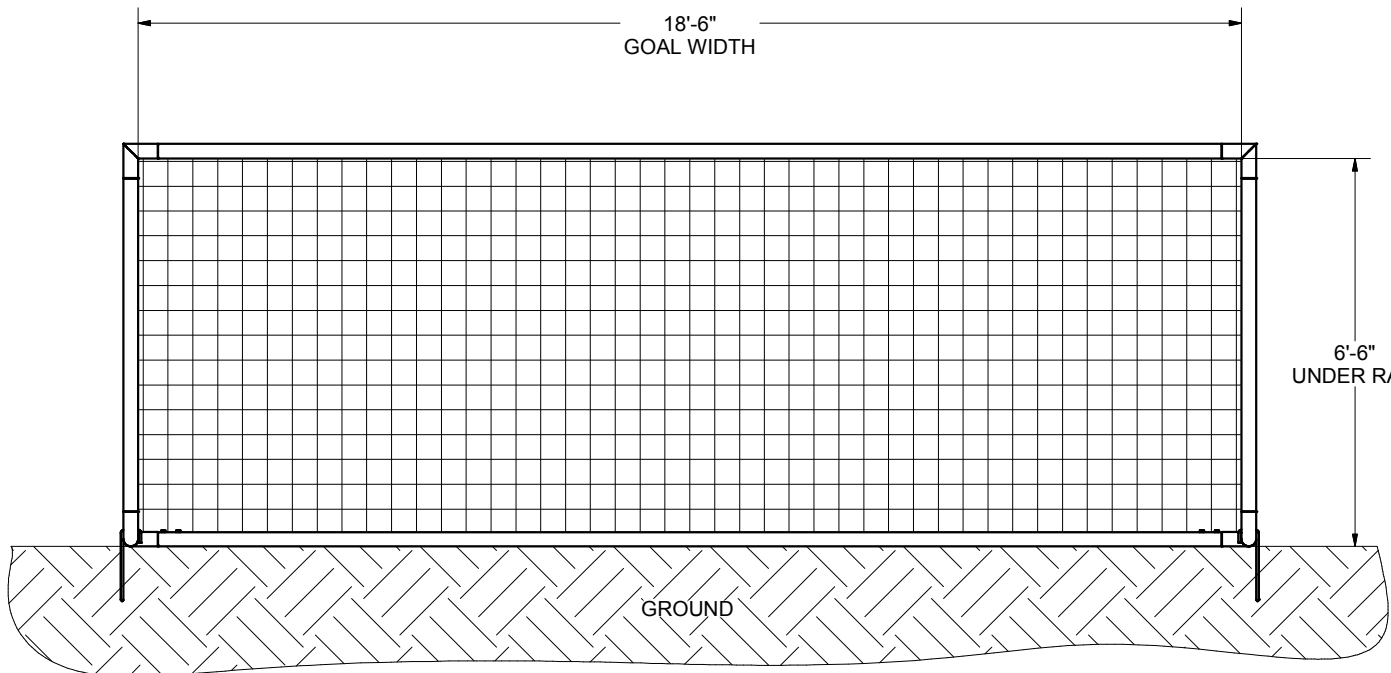
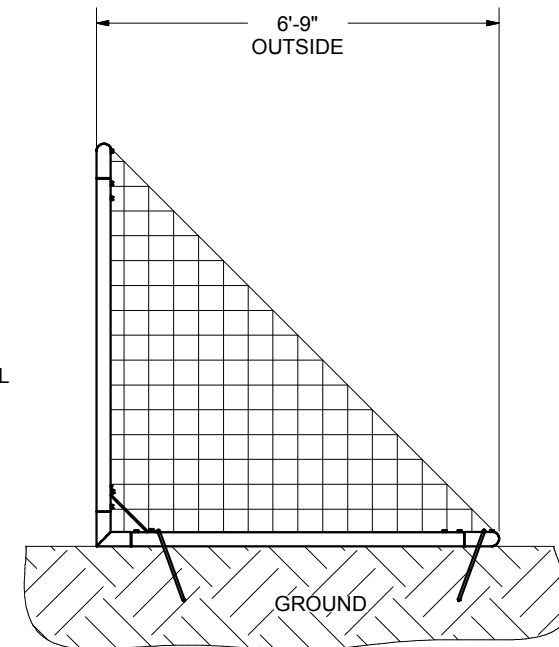


FRONT VIEW



SIDE VIEW



FEATURES:

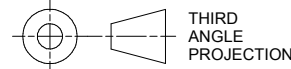
- 1) ALUMINUM GOAL FRAME
- 2) FINISH: WHITE POWDER COAT
- 3) INCLUDED:

- J- ANCHORS
- 2 mm, ORANGE NET
- BUNGEE NET FASTNERS (WHITE)

- 4) ASSEMBLED GOAL WEIGHT: 84 LBS.
- 5) ASTM F2056-00 STANDARD:

THIS GOAL DOES NOT FALL UNDER THE SCOPE OF ASTM F2056-00 BECAUSE OF IT'S SIZE AND/OR WEIGHT

**Finish Info.** WHITE POWDER COAT



THIRD ANGLE PROJECTION



140 Pacific Drive  
Quakertown,  
Pa. 18951

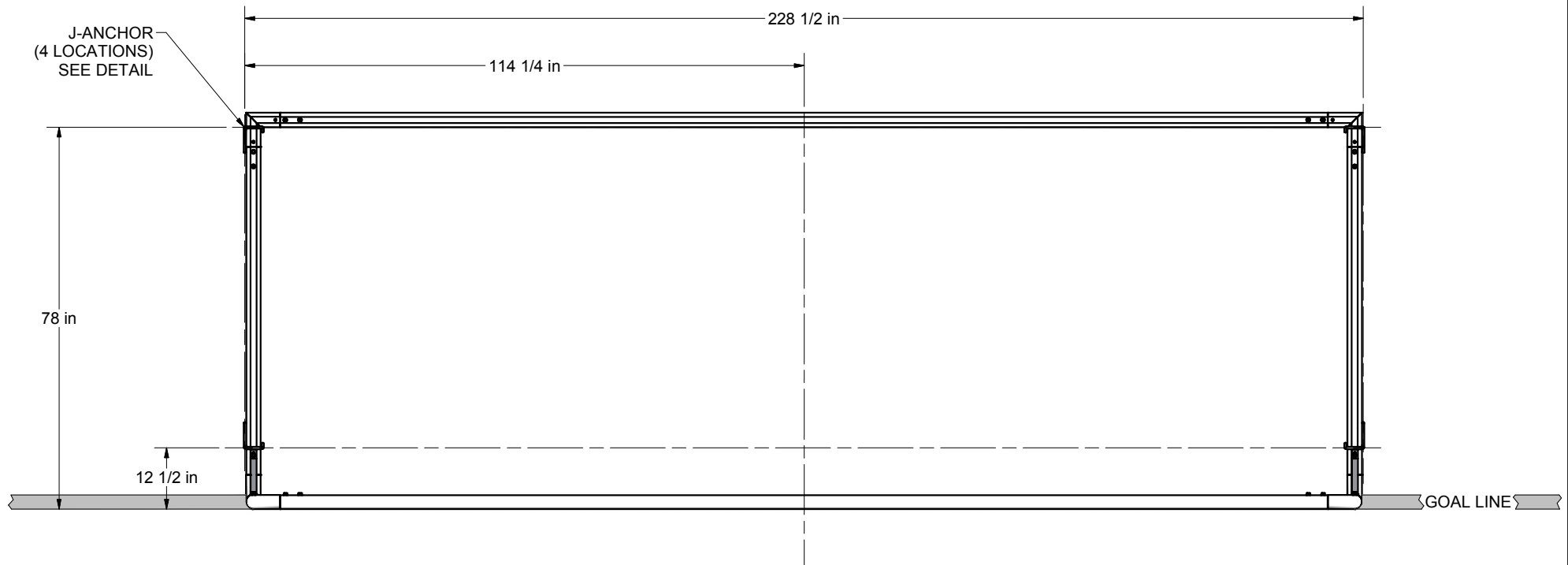
DIMENSIONS ARE IN INCHES UNLESS OTHERWISE SPECIFIED

This item is the **exclusive** property of **KWIK GOAL LTD.** Reproduction or duplication **without** the express written consent of **KWIK GOAL LTD.** is **strictly forbidden.**

Approved By:  
Date:  
Drawn By: BRush  
Date: 7/18/2006  
Sheet: 1 of 4  
Revision #: 1  
Cad File: 2B5004.idw

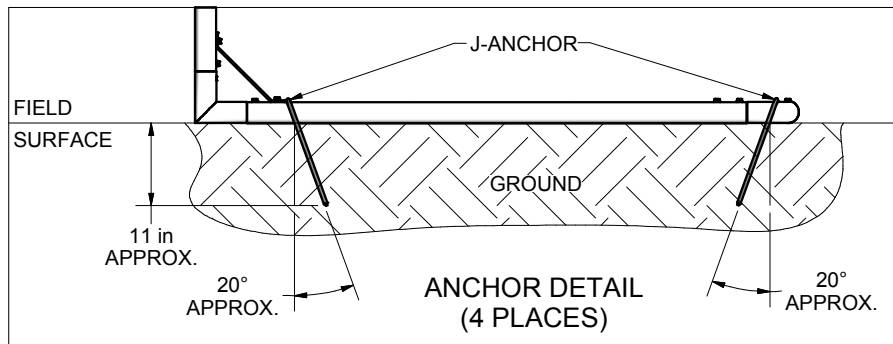
Part #: **2B5004**  
Desc: 6-1/2'H X 18-1/2'W X 0'D X 6-3/4'B ACADEMY GOAL

# OVERHEAD VIEW

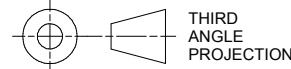


## NOTES:

- 1) DIMENSIONS ARE FOR PLANNING PURPOSES. INSTALLATION MUST BE IN ACCORDANCE WITH INSTALLATION INSTRUCTIONS.



**Finish Info.** WHITE POWDER COAT



DIMENSIONS ARE IN INCHES UNLESS OTHERWISE SPECIFIED

This item is the **exclusive** property of **KWIK GOAL LTD.** Reproduction or duplication **without** the express written consent of **KWIK GOAL LTD.** is **strictly forbidden.**



Approved By:

Date:

Drawn By: BRush

Date: 7/18/2006

Sheet: 2 of 4

Revision #: 1

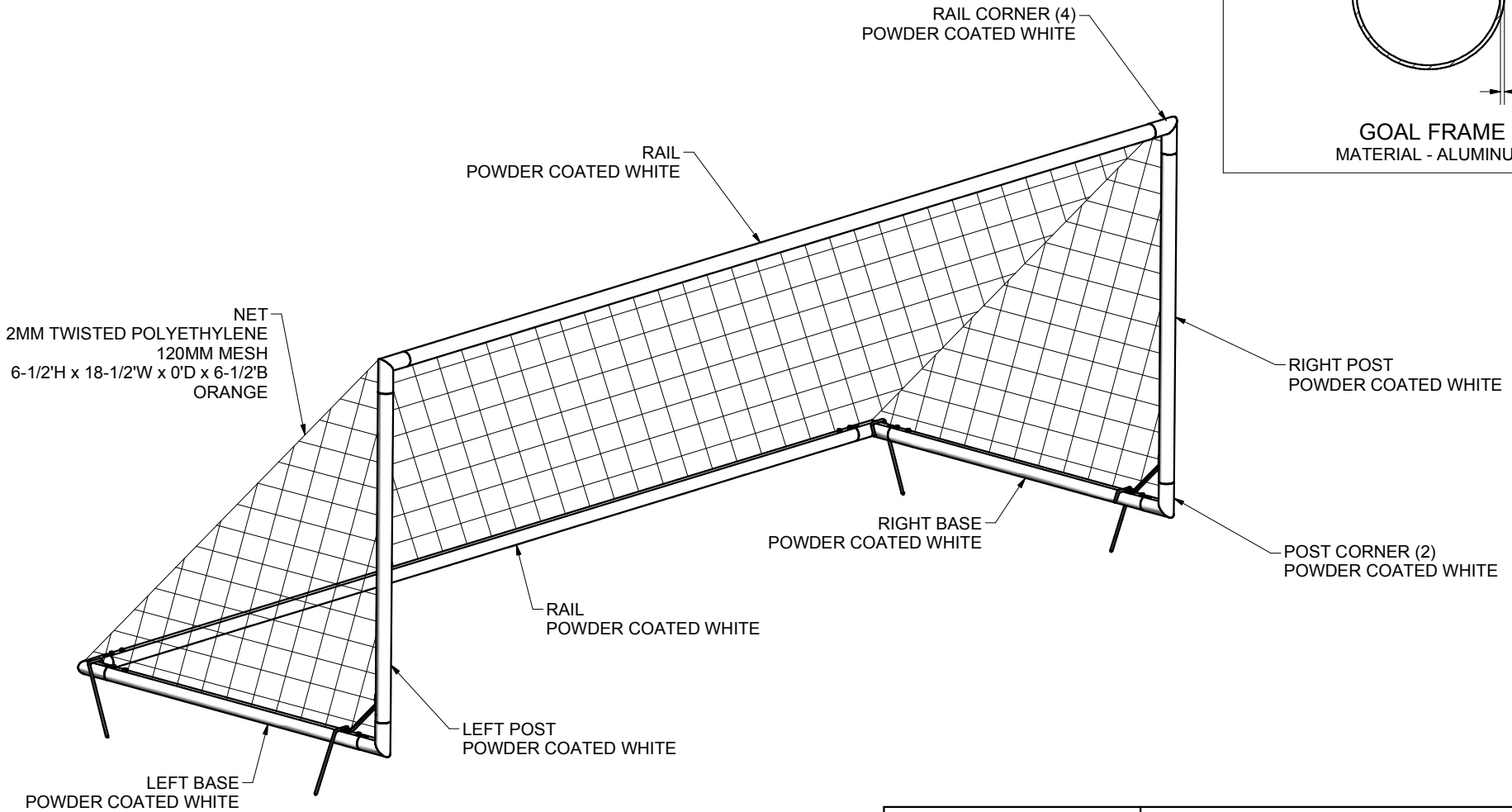
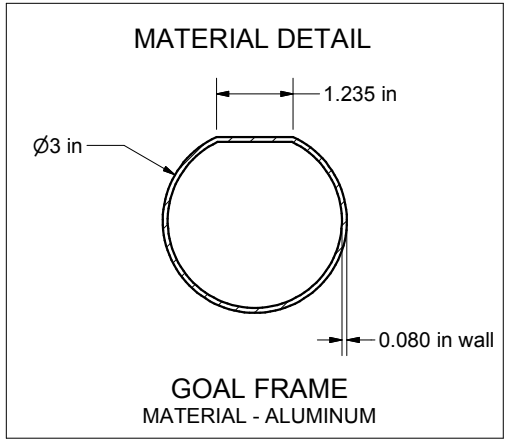
Cad File: 2B5004.idw

Part #:

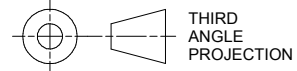
**2B5004**

Desc:

6-1/2'H X 18-1/2'W X 0'D X  
6-3/4'B ACADEMY GOAL



**Finish Info.** WHITE POWDER COAT



**KWIKGOAL**® 140 Pacific Drive  
Quakertown,  
Pa. 18951

DIMENSIONS ARE IN INCHES  
UNLESS OTHERWISE SPECIFIED

Approved By:

Part #:

Date:

**2B5004**

This item is the **exclusive** property of **KWIK GOAL LTD.** Reproduction or duplication **without** the express written consent of **KWIK GOAL LTD.** is **strictly forbidden.**

Drawn By: BRush

Date: 7/18/2006

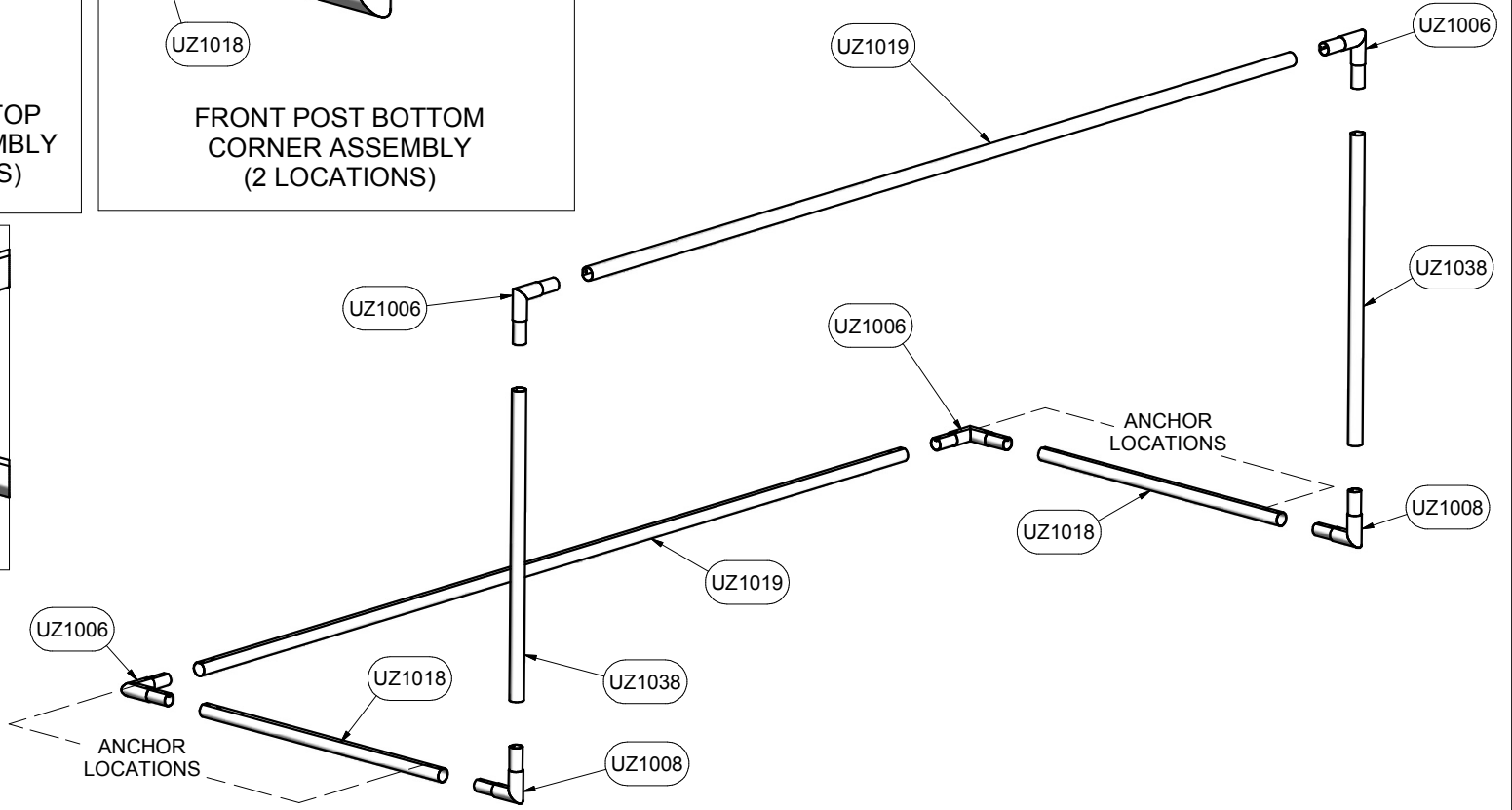
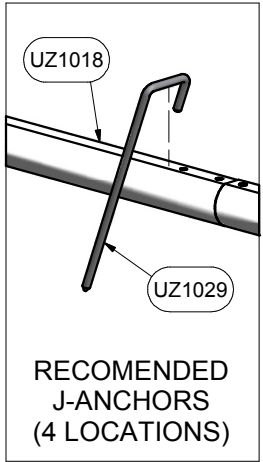
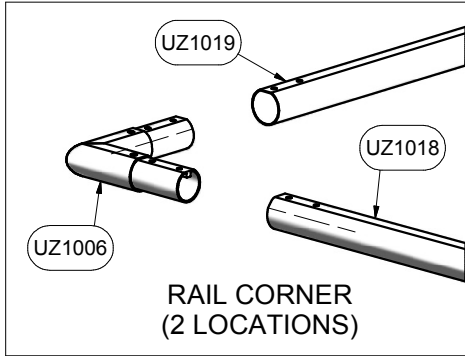
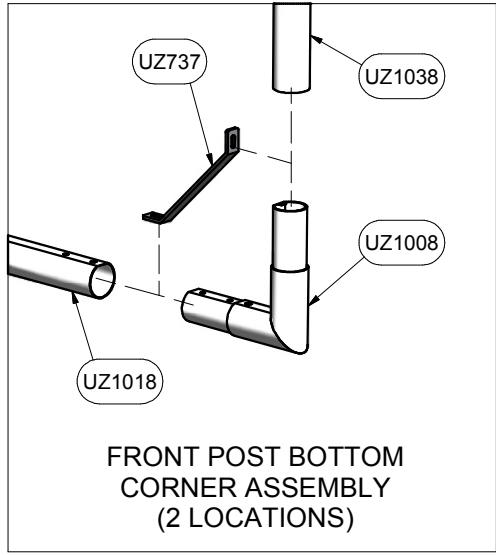
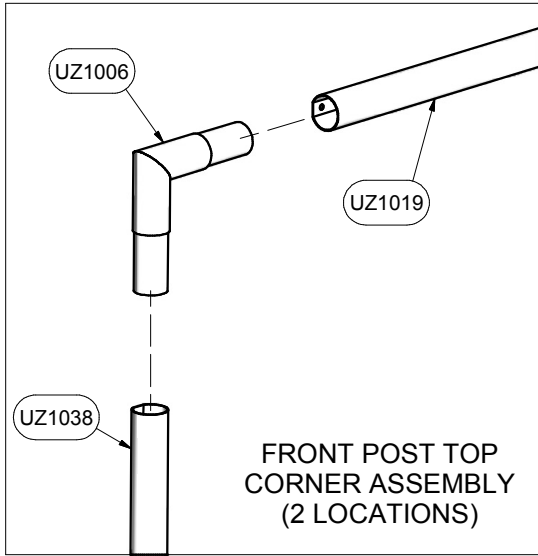
Desc:

Sheet: 3 of 4

6-1/2'H X 18-1/2'W X 0'D X 6-3/4'B ACADEMY GOAL

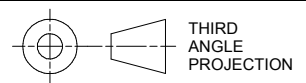
Revision #: 1

Cad File: 2B5004.idw



| Parts List |     |                           |                   |
|------------|-----|---------------------------|-------------------|
| Part #     | Qty | Description               | Material          |
| UZ1019     | 2   | RAIL, 2B5004              | ALUMINUM          |
| UZ1038     | 2   | POST, 2B5004              | ALUMINUM          |
| UZ1018     | 2   | BASE, 2B5003/4            | ALUMINUM          |
| UZ1006     | 4   | CORNER ASSEMBLY, RAIL     | ALUMINUM          |
| UZ1008     | 2   | CORNER ASSEMBLY, POST     | ALUMINUM          |
| UZ737      | 2   | Front Post Brace          | Zinc Plated Steel |
| UZ1029     | 4   | ANCHOR PEG, J-STYLE       | Zinc Plated Steel |
| 3B3811     | 1   | NET, 2MM ROPE, 120MM MESH | PE, ORANGE        |

**Finish Info.** WHITE POWDER COAT



DIMENSIONS ARE IN INCHES  
UNLESS OTHERWISE SPECIFIED

This item is the **exclusive**  
property of **KWIK GOAL LTD.**  
Reproduction or duplication  
**without** the express written  
consent of **KWIK GOAL LTD.**  
is **strictly forbidden.**



Approved By:  
Date:  
Drawn By: BRush  
Date: 7/18/2006  
Sheet: 4 of 4  
Revision #: 1  
Cad File: 2B5004.idw

Part #:  
**2B5004**  
Desc:  
6-1/2'H X 18-1/2'W X 0'D X  
6-3/4'B ACADEMY GOAL