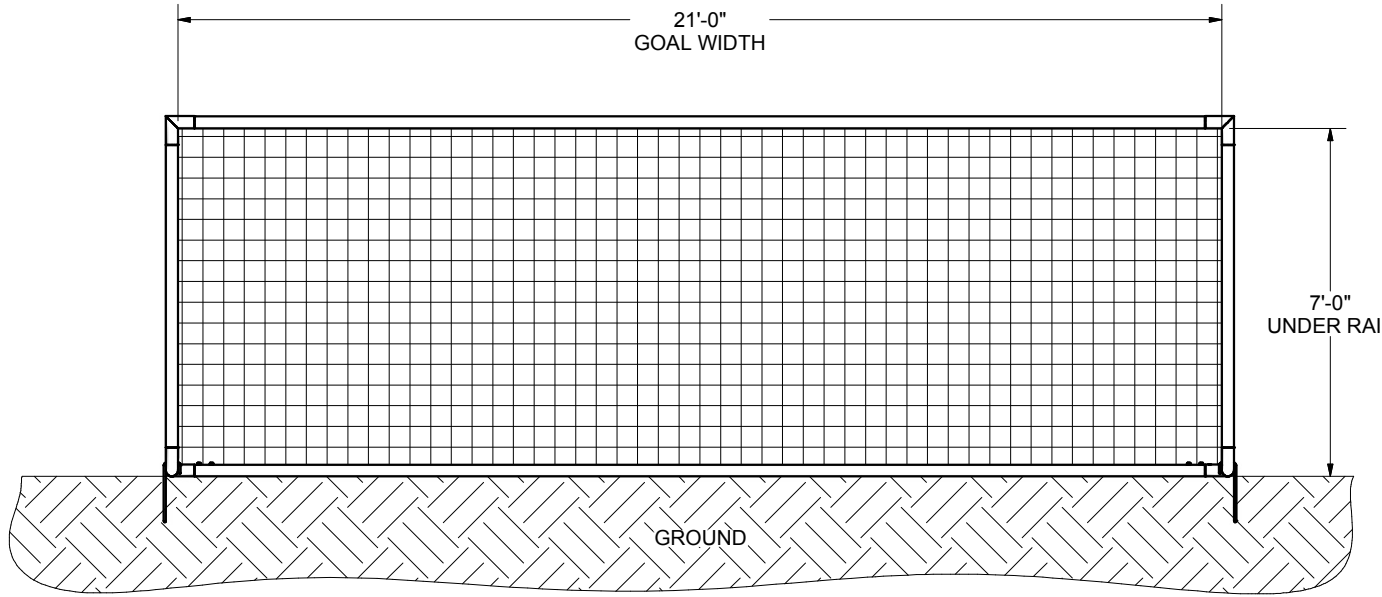
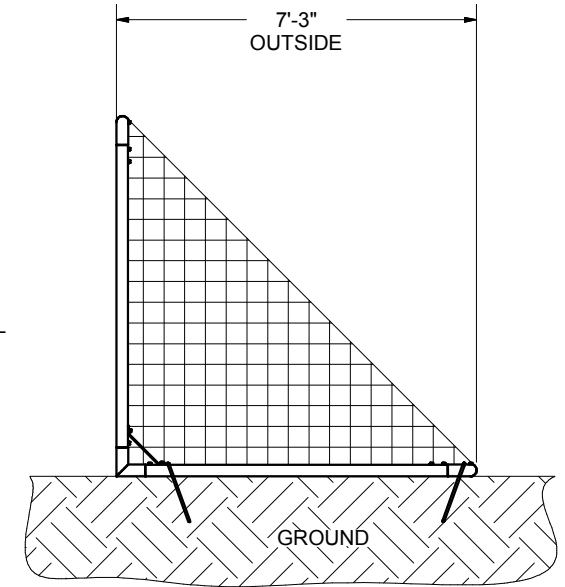


FRONT VIEW



SIDE VIEW



FEATURES:

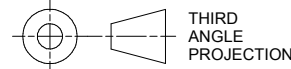
- 1) ALUMINUM GOAL FRAME
- 2) FINISH: WHITE POWDER COAT
- 3) INCLUDED:
  - J- ANCHORS
  - 2 mm, ORANGE NET
  - BUNGEE NET FASTNERS (WHITE)

4) ASSEMBLED GOAL WEIGHT: 91 LBS.

5) ASTM F2056-00 STANDARD:

THIS GOAL DOES NOT FALL UNDER THE SCOPE OF ASTM F2056-00 BECAUSE OF IT'S SIZE AND/OR WEIGHT

**Finish Info.** WHITE POWDER COAT



THIRD ANGLE PROJECTION

DIMENSIONS ARE IN INCHES UNLESS OTHERWISE SPECIFIED

This item is the **exclusive** property of **KWIK GOAL LTD.** Reproduction or duplication **without** the express written consent of **KWIK GOAL LTD.** is **strictly forbidden.**



140 Pacific Drive  
Quakertown,  
Pa. 18951

Approved By:

Date:

Drawn By: BRush

Date: 7/18/2006

Sheet: 1 of 4

Revision #: 1

Cad File: 2B5005.idw

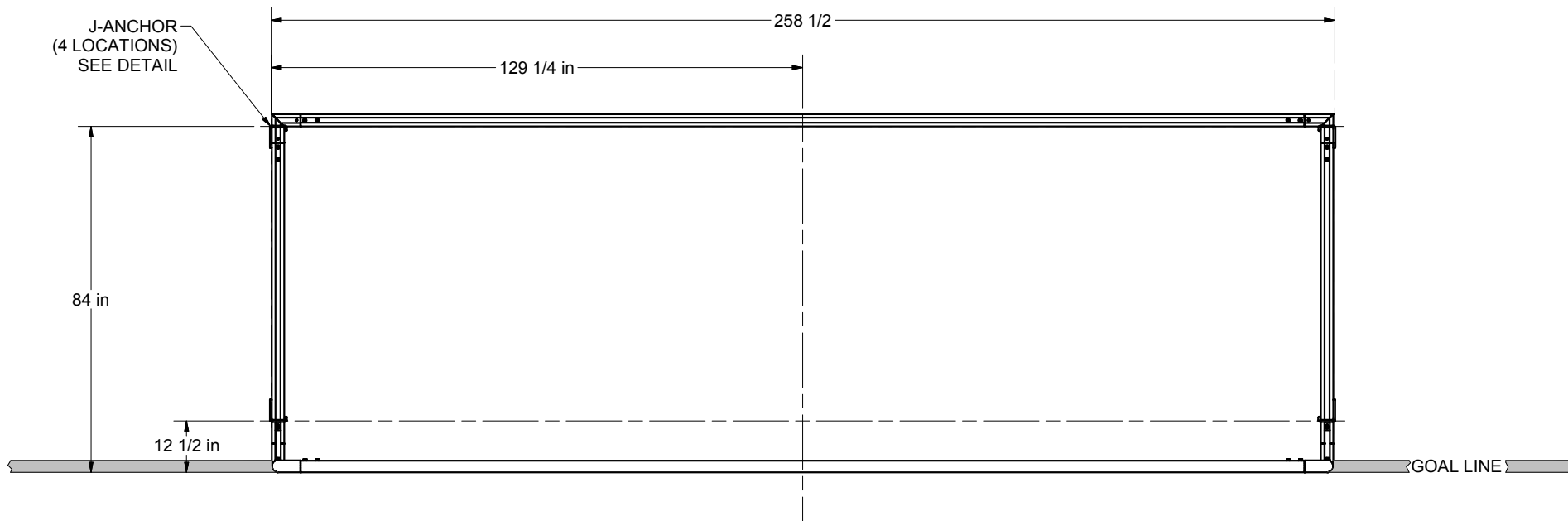
Part #:

**2B5005**

Desc:

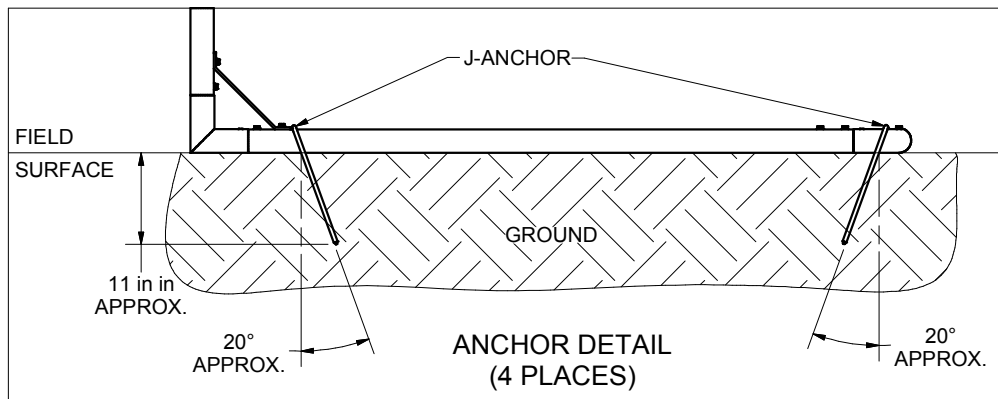
7'H X 21'W X 0'D X 7-1/4'B  
ACADEMY GOAL

OVERHEAD VIEW

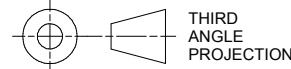


NOTES:

- 1) DIMENSIONS ARE FOR PLANNING PURPOSES. INSTALLATION MUST BE IN ACCORDANCE WITH INSTALLATION INSTRUCTIONS.



**Finish Info.** WHITE POWDER COAT



THIRD ANGLE PROJECTION

**KWIKGOAL**® 140 Pacific Drive  
Quakertown, Pa. 18951

DIMENSIONS ARE IN INCHES UNLESS OTHERWISE SPECIFIED

Approved By:

Part #:

Date:

2B5005

This item is the **exclusive** property of **KWIK GOAL LTD.** Reproduction or duplication **without** the express written consent of **KWIK GOAL LTD.** is **strictly forbidden.**

Drawn By: BRush

Date: 7/18/2006

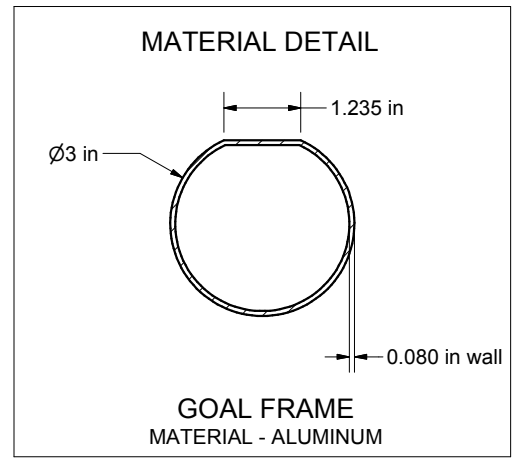
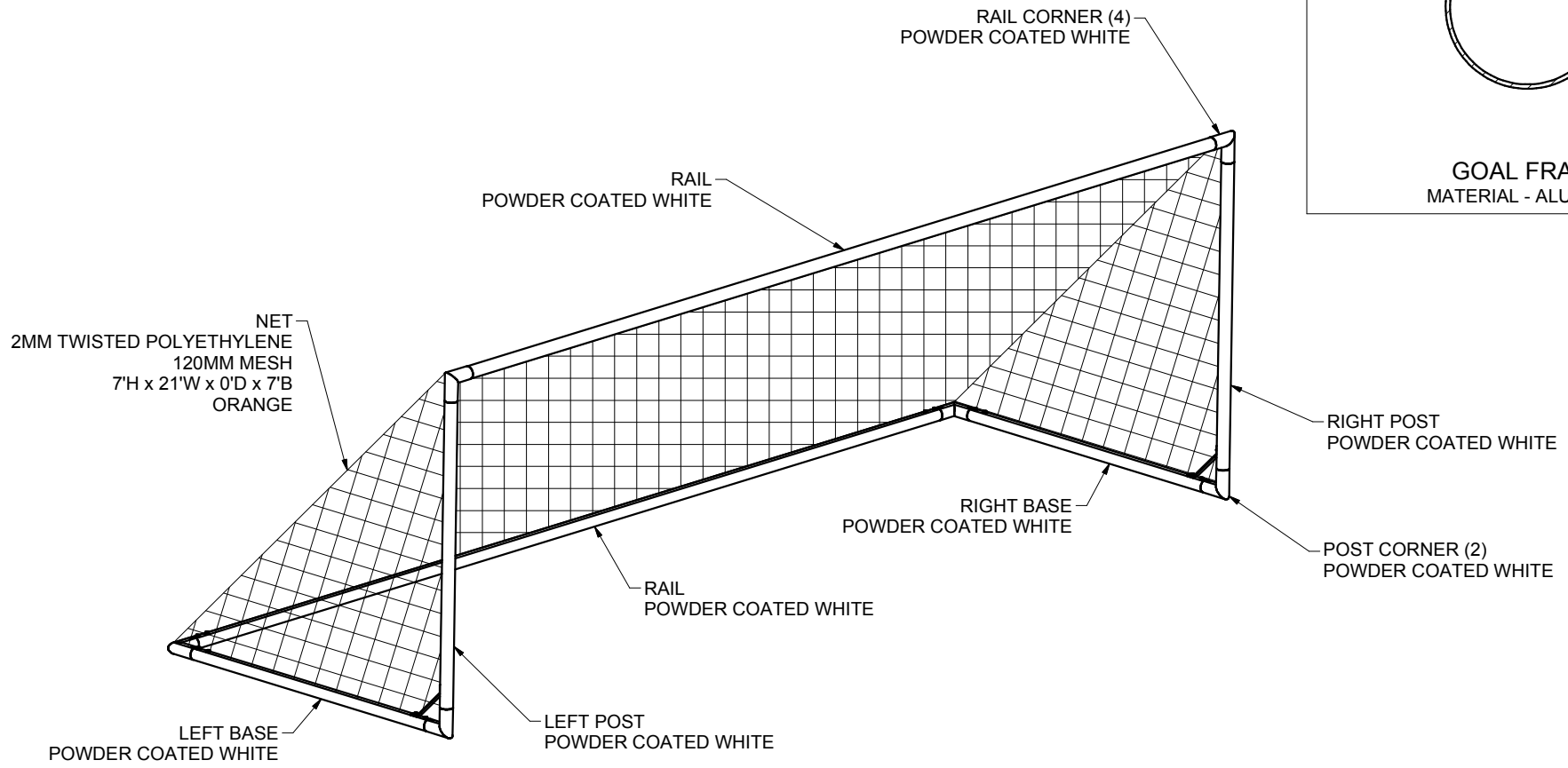
Desc:

Sheet: 2 of 4

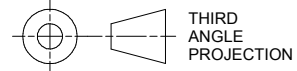
7'H X 21'W X 0'D X 7-1/4'B  
ACADEMY GOAL

Revision #: 1

Cad File: 2B5005.idw



**Finish Info.** WHITE POWDER COAT



**KWIKGOAL**® 140 Pacific Drive  
Quakertown,  
Pa. 18951

DIMENSIONS ARE IN INCHES  
UNLESS OTHERWISE SPECIFIED

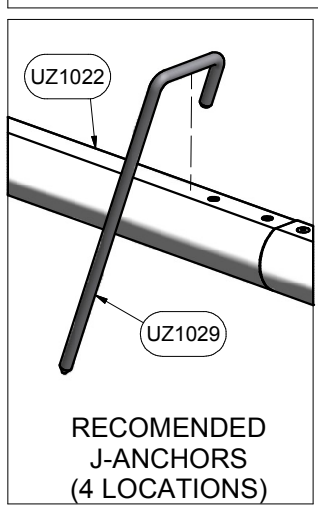
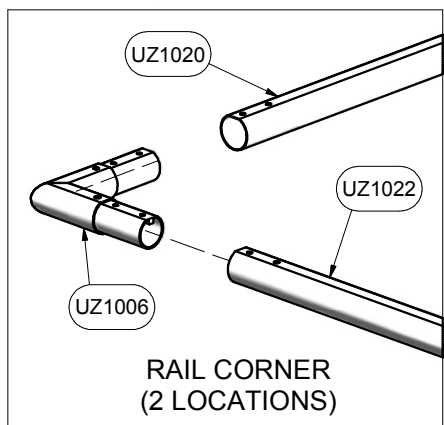
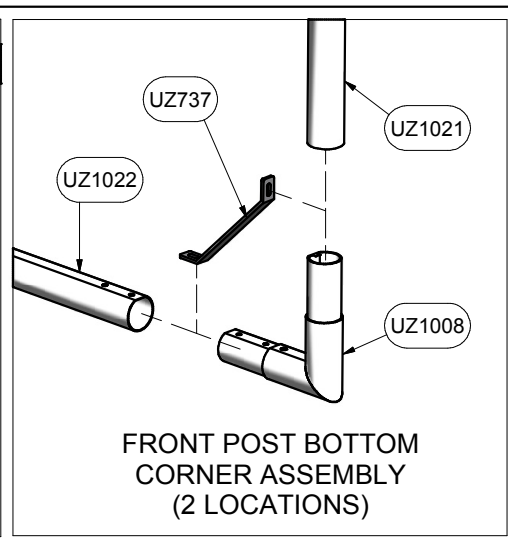
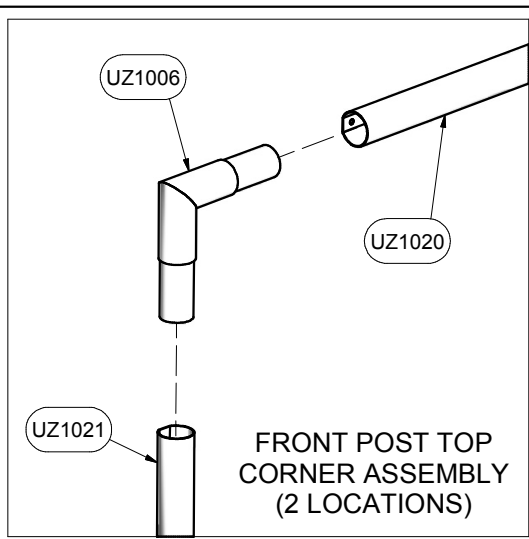
Approved By:  
Date:

Part #:  
**2B5005**

This item is the **exclusive** property of **KWIK GOAL LTD.** Reproduction or duplication **without** the express written consent of **KWIK GOAL LTD.** is **strictly forbidden.**

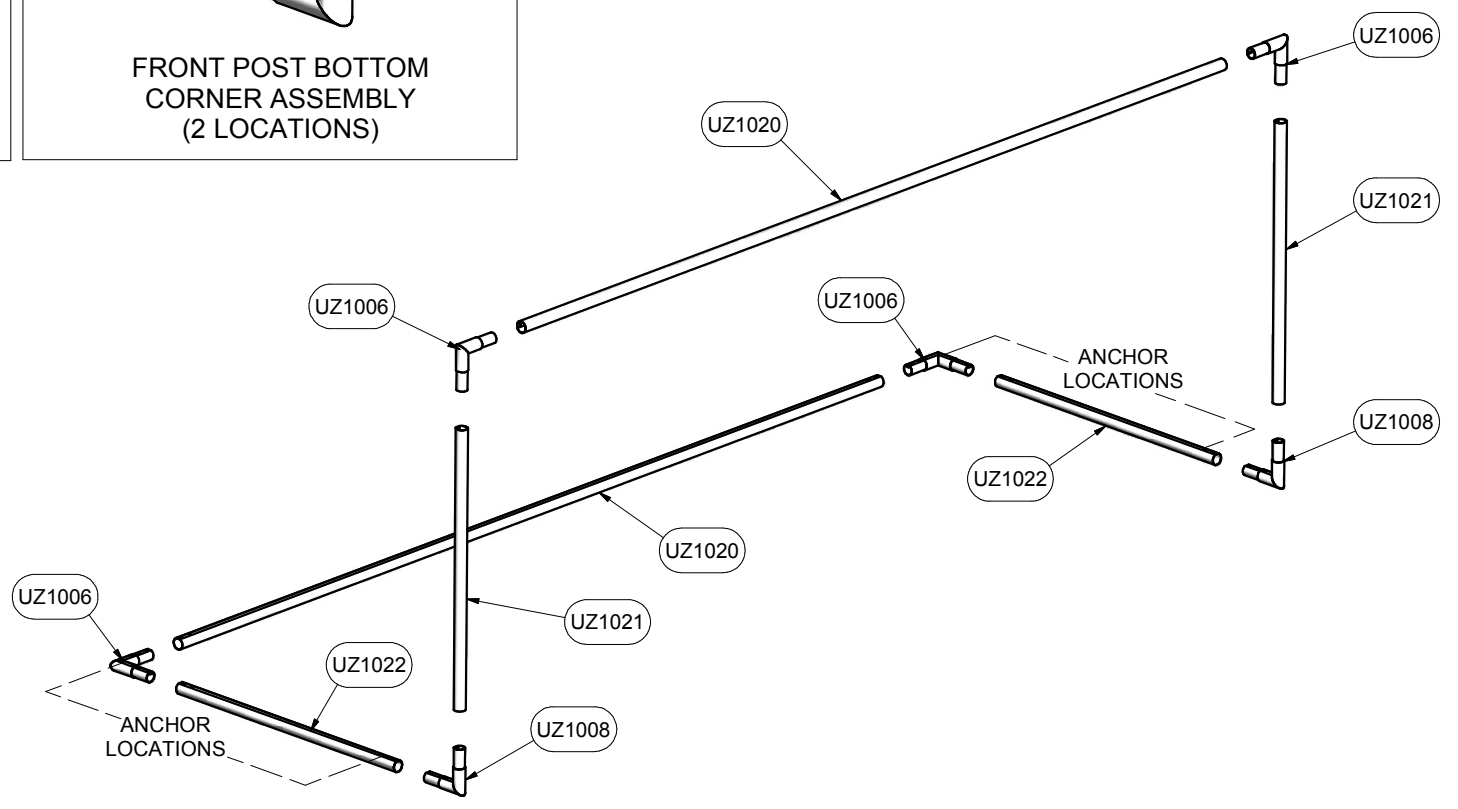
Drawn By: BRush  
Date: 7/18/2006  
Sheet: 3 of 4  
Revision #: 1  
Cad File: 2B5005.idw

Desc:  
7'H X 21'W X 0'D X 7-1/4'B  
ACADEMY GOAL



**Finish Info.** WHITE POWDER COAT

Parts List			
Part #	Qty	Description	Material
UZ1020	2	RAIL, 2B5005	ALUMINUM
UZ1021	2	POST, 2B5005	ALUMINUM
UZ1022	2	BASE, 2B5005	ALUMINUM
UZ1006	4	CORNER ASSEMBLY, RAIL	ALUMINUM
UZ1008	2	CORNER ASSEMBLY, POST	ALUMINUM
UZ737	2	Front Post Brace	Zinc Plated Steel
UZ1029	4	ANCHOR PEG, J-STYLE	Zinc Plated Steel
3B3911	1	NET, 2MM ROPE, 120MM MESH	PE, ORANGE



<p>THIRD ANGLE PROJECTION</p>	<p><b>KWIKGOAL</b>® 140 Pacific Drive Quakertown, Pa. 18951</p>	
	<p>DIMENSIONS ARE IN INCHES UNLESS OTHERWISE SPECIFIED</p>	<p>Approved By:</p> <p>Date:</p> <p>Drawn By: BRush</p> <p>Date: 7/18/2006</p> <p>Sheet: 4 of 4</p> <p>Revision #: 1</p> <p>Cad File: 2B5005.idw</p>
<p>This item is the <b>exclusive</b> property of <b>KWIK GOAL LTD.</b> Reproduction or duplication <b>without</b> the express written consent of <b>KWIK GOAL LTD.</b> is <b>strictly forbidden.</b></p>	<p>Part #:</p> <p><b>2B5005</b></p>	<p>Desc:</p> <p>7'H X 21'W X 0'D X 7-1/4'B ACADEMY GOAL</p>