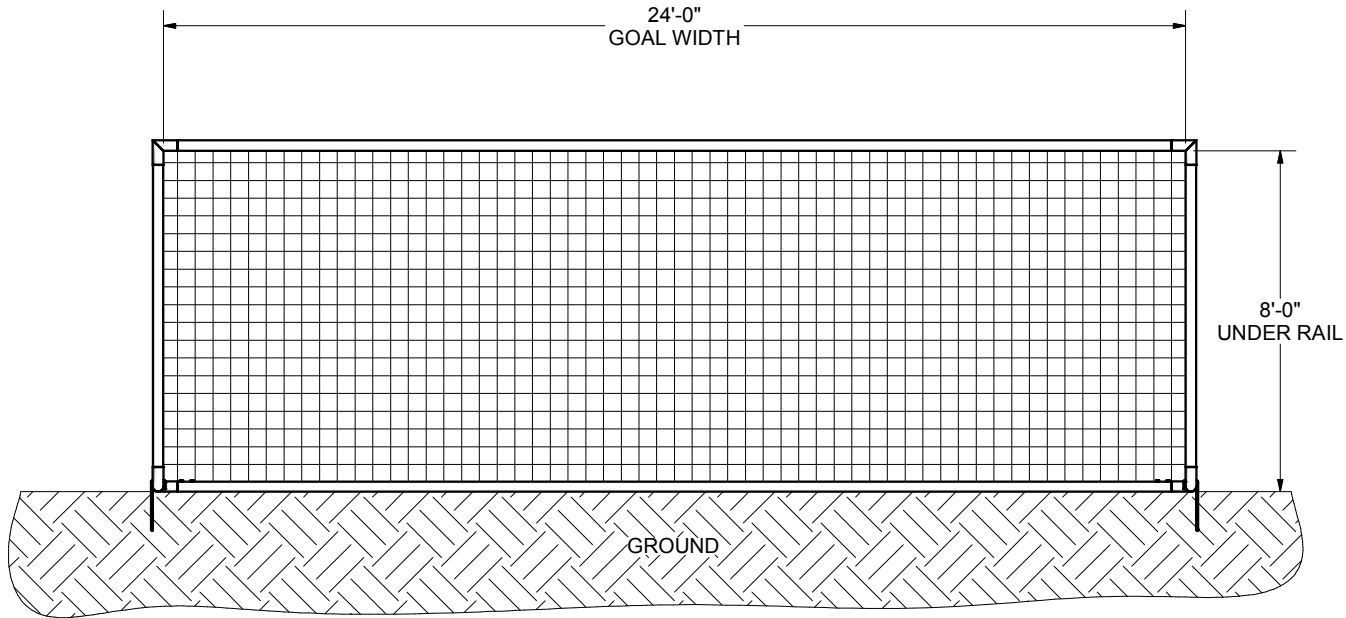
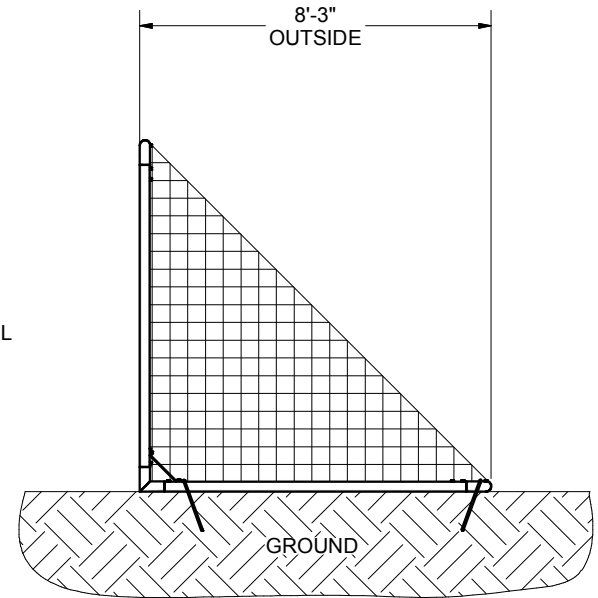


FRONT VIEW



SIDE VIEW



FEATURES:

- 1) ALUMINUM GOAL FRAME
- 2) FINISH: WHITE POWDER COAT
- 3) INCLUDED:

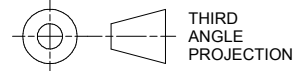
- J- ANCHORS
- 2 mm, ORANGE NET
- BUNGEE NET FASTNERS (WHITE)

4) ASSEMBLED GOAL WEIGHT: 100 LBS.

5) ASTM F2056-00 STANDARD:

THIS GOAL DOES NOT FALL UNDER THE SCOPE OF ASTM F2056-00 BECAUSE OF IT'S SIZE AND/OR WEIGHT

Finish Info. WHITE POWDER COAT



THIRD ANGLE PROJECTION

DIMENSIONS ARE IN INCHES UNLESS OTHERWISE SPECIFIED

This item is the **exclusive** property of **KWIK GOAL LTD.** Reproduction or duplication **without** the express written consent of **KWIK GOAL LTD.** is **strictly forbidden.**



Approved By:

Date:

Drawn By: BRush

Date: 7/18/2006

Sheet: 1 of 4

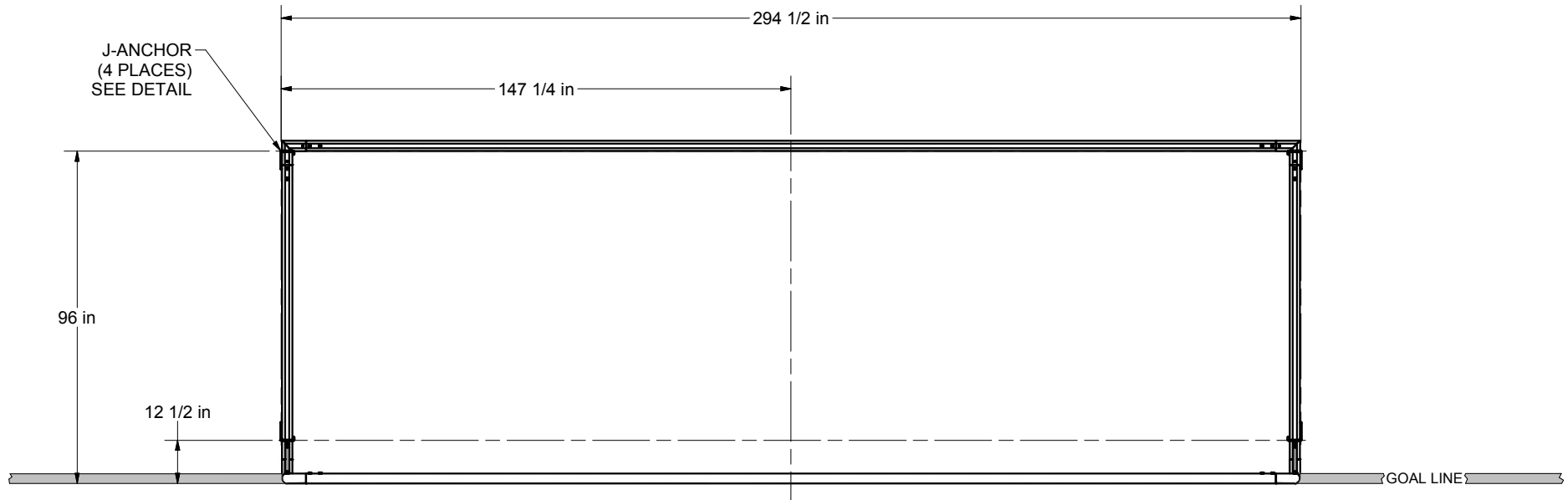
Revision #: 1

Cad File: 2B5006.idw

Part #: **2B5006**

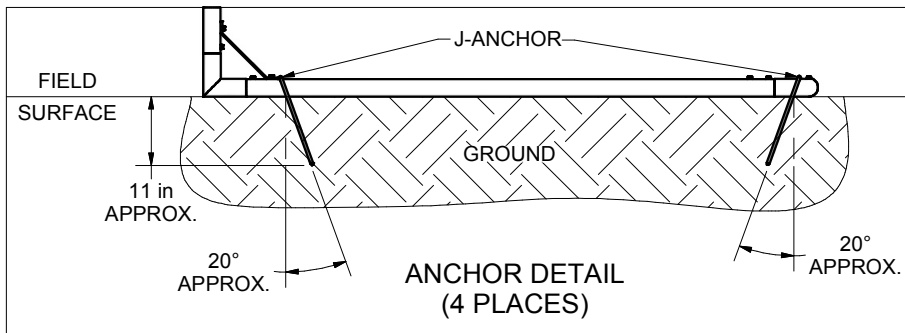
Desc: 8'H X 24'W X 0'D X 8-1/4'B ACADEMY GOAL

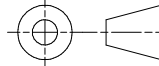

OVERHEAD VIEW



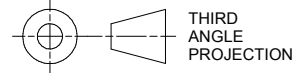
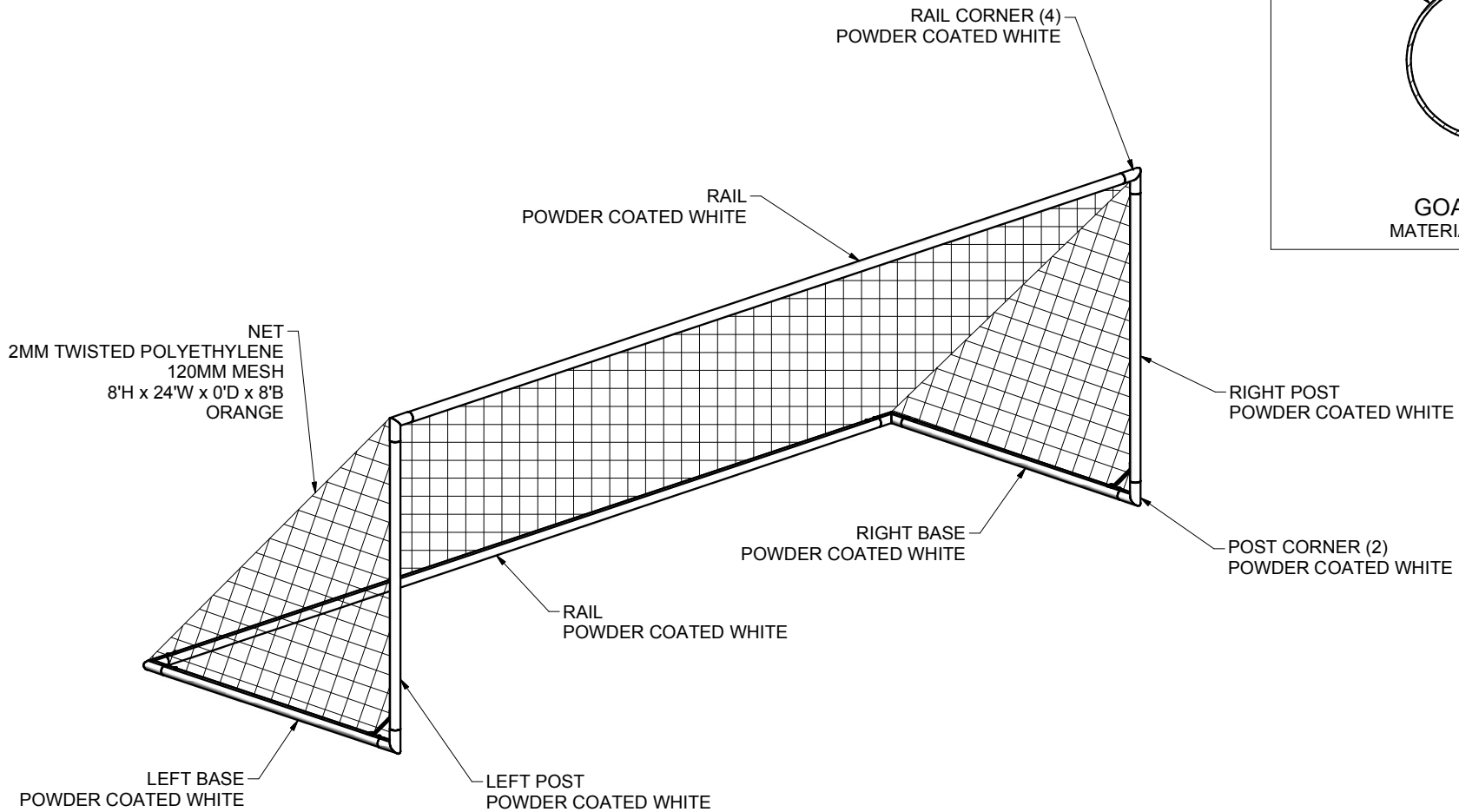
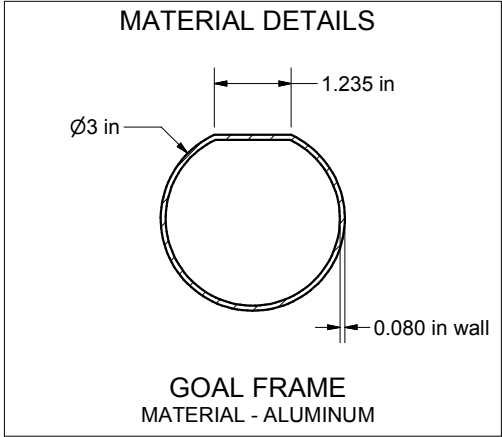
NOTES:

- 1) DIMENSIONS ARE FOR PLANNING PURPOSES. INSTALLATION MUST BE IN ACCORDANCE WITH INSTALLATION INSTRUCTIONS.



 THIRD ANGLE PROJECTION	 140 Pacific Drive Quakertown, Pa. 18951	
	DIMENSIONS ARE IN INCHES UNLESS OTHERWISE SPECIFIED	Approved By: Date:
This item is the exclusive property of KWIK GOAL LTD. Reproduction or duplication without the express written consent of KWIK GOAL LTD. is strictly forbidden.	Drawn By: BRush	Desc: 8'H X 24'W X 0'D X 8-1/4'B ACADEMY GOAL
	Date: 7/18/2006	
	Sheet: 2 of 4	
	Revision #: 1	
Cad File: 2B5006.idw		

Finish Info. WHITE POWDER COAT



KWIKGOAL® 140 Pacific Drive
Quakertown, Pa. 18951

DIMENSIONS ARE IN INCHES UNLESS OTHERWISE SPECIFIED

Approved By:
Date:

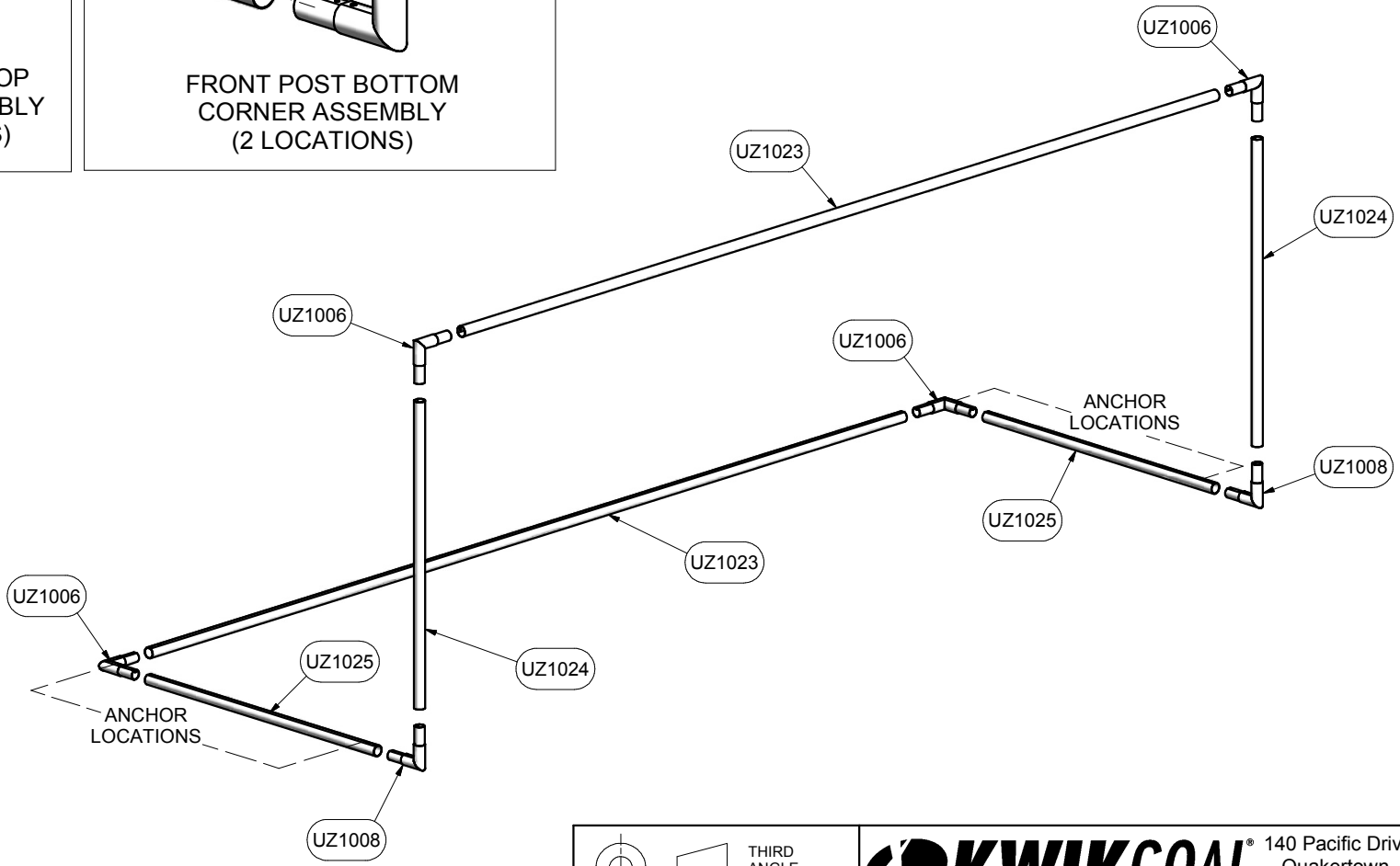
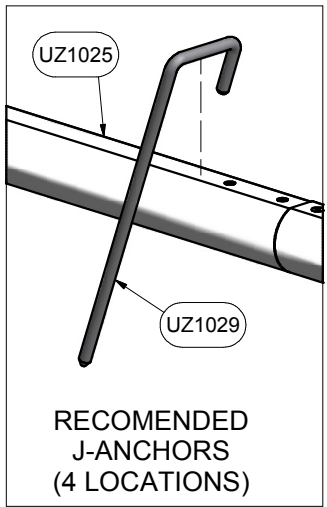
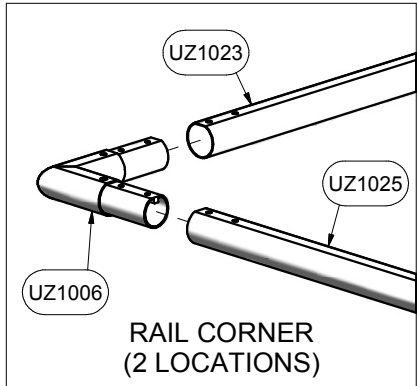
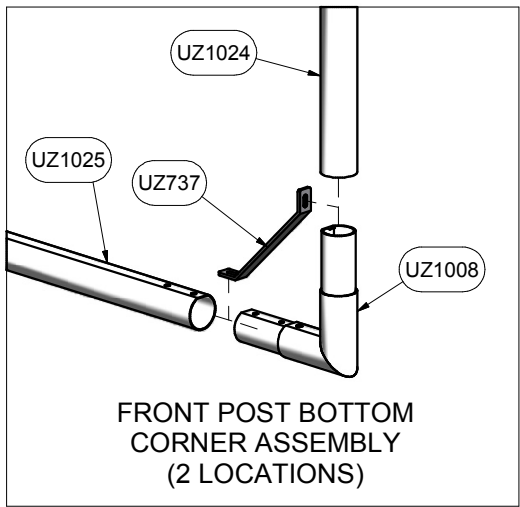
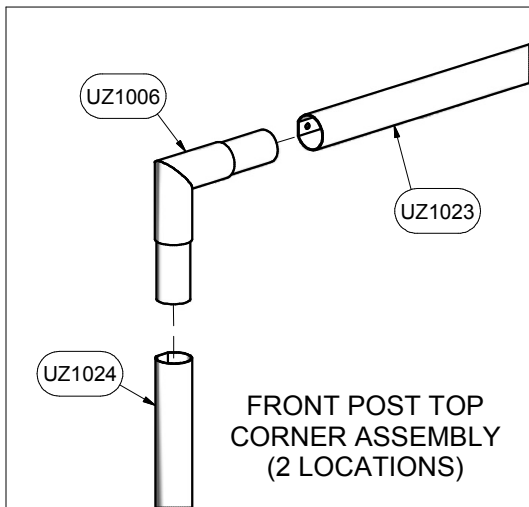
Part #:
2B5006

This item is the **exclusive** property of **KWIK GOAL LTD.** Reproduction or duplication **without** the express written consent of **KWIK GOAL LTD.** is **strictly forbidden.**

Drawn By: BRush
Date: 7/18/2006
Sheet: 3 of 4
Revision #: 1
Cad File: 2B5006.idw

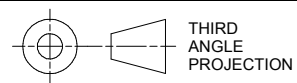
Desc:
8'H X 24'W X 0'D X 8-1/4'B
ACADEMY GOAL

Finish Info. WHITE POWDER COAT



Parts List			
Part #	Qty	Description	Material
UZ1023	2	RAIL, 2B5006	ALUMINUM
UZ1025	2	BASE, 2B5006	ALUMINUM
UZ1006	4	CORNER ASSEMBLY, RAIL	ALUMINUM
UZ1008	2	CORNER ASSEMBLY, POST	ALUMINUM
UZ737	2	Front Post Brace	Zinc Plated Steel
UZ1029	4	ANCHOR PEG, J-STYLE	Zinc Plated Steel
3B4011	1	NET, 2MM ROPE, 120MM MESH	PE, ORANGE
UZ1024	2	POST, 2B5006	ALUMINUM

Finish Info. WHITE POWDER COAT



DIMENSIONS ARE IN INCHES UNLESS OTHERWISE SPECIFIED

This item is the **exclusive** property of **KWIK GOAL LTD.** Reproduction or duplication **without** the express written consent of **KWIK GOAL LTD.** is **strictly forbidden.**



Approved By:
Date:
Drawn By: BRush
Date: 7/18/2006
Sheet: 4 of 4
Revision #: 1
Cad File: 2B5006.idw

Part #: **2B5006**
Desc: 8'H X 24'W X 0'D X 8-1/4'B ACADEMY GOAL