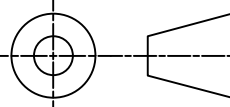



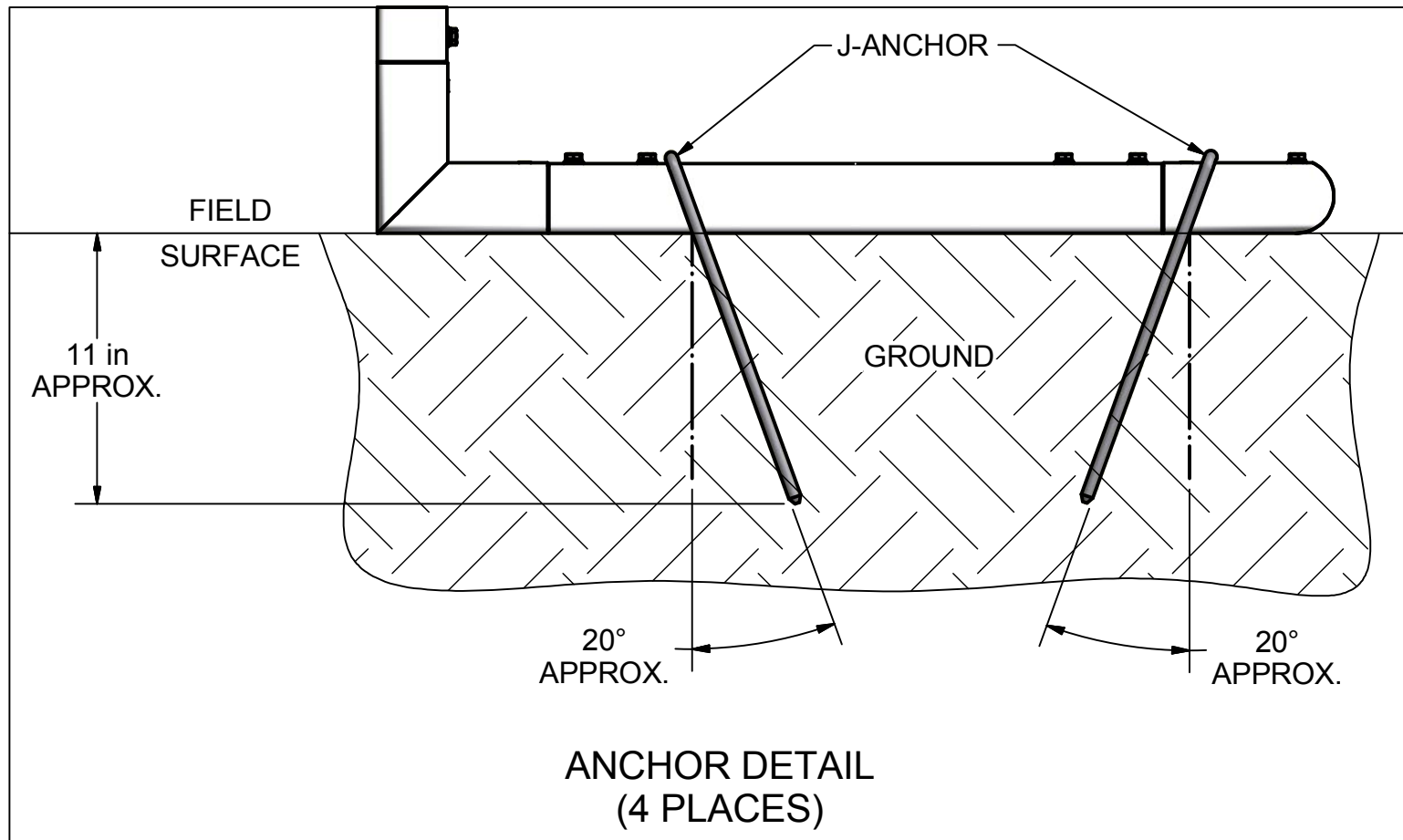
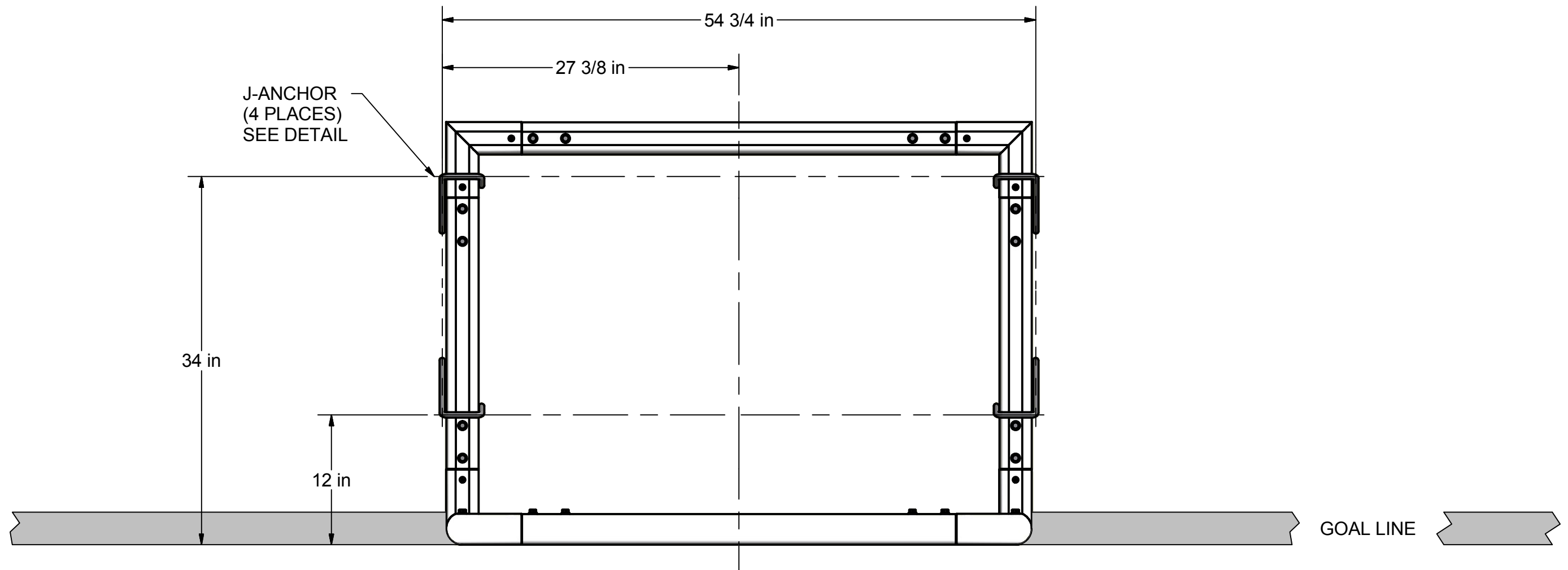
**FEATURES:**

- 1) ALUMINUM GOAL FRAME
- 2) FINISH: WHITE POWDER COAT
- 3) INCLUDED:
  - J- ANCHORS
  - 2 mm, ORANGE NET
  - BUNGEE NET FASTNERS (WHITE)
- 4) ASSEMBLED GOAL WEIGHT: 44 LBS.
- 5) ASTM F2056-00 STANDARD:
  - THIS GOAL DOES NOT FALL UNDER THE SCOPE
  - OF ASTM F2056-00 BECAUSE OF IT'S SIZE AND/OR WEIGHT

**Finish Info.**

 THIRD ANGLE PROJECTION	 140 Pacific Drive Quakertown, Pa. 18951	
DIMENSIONS ARE IN INCHES UNLESS OTHERWISE SPECIFIED  This item is the <b>exclusive</b> property of <b>KWIK GOAL LTD.</b> Reproduction or duplication <b>without</b> the express written consent of <b>KWIK GOAL LTD.</b> is <b>strictly forbidden.</b>	Approved By:	<b>Part #:</b>  <span style="font-size: 1.5em;">2B6001</span>
	Date:	
	Drawn By: cspeck	<b>Desc:</b>  4'H X 6'W X 0'D X 4-1/4'B ACADEMY TRAINING GOAL
	Date: 8/17/2010	
	Sheet: 1 of 4	
	Revision #: -	
	Cad File: 2B6001.idw	

OVERHEAD VIEW

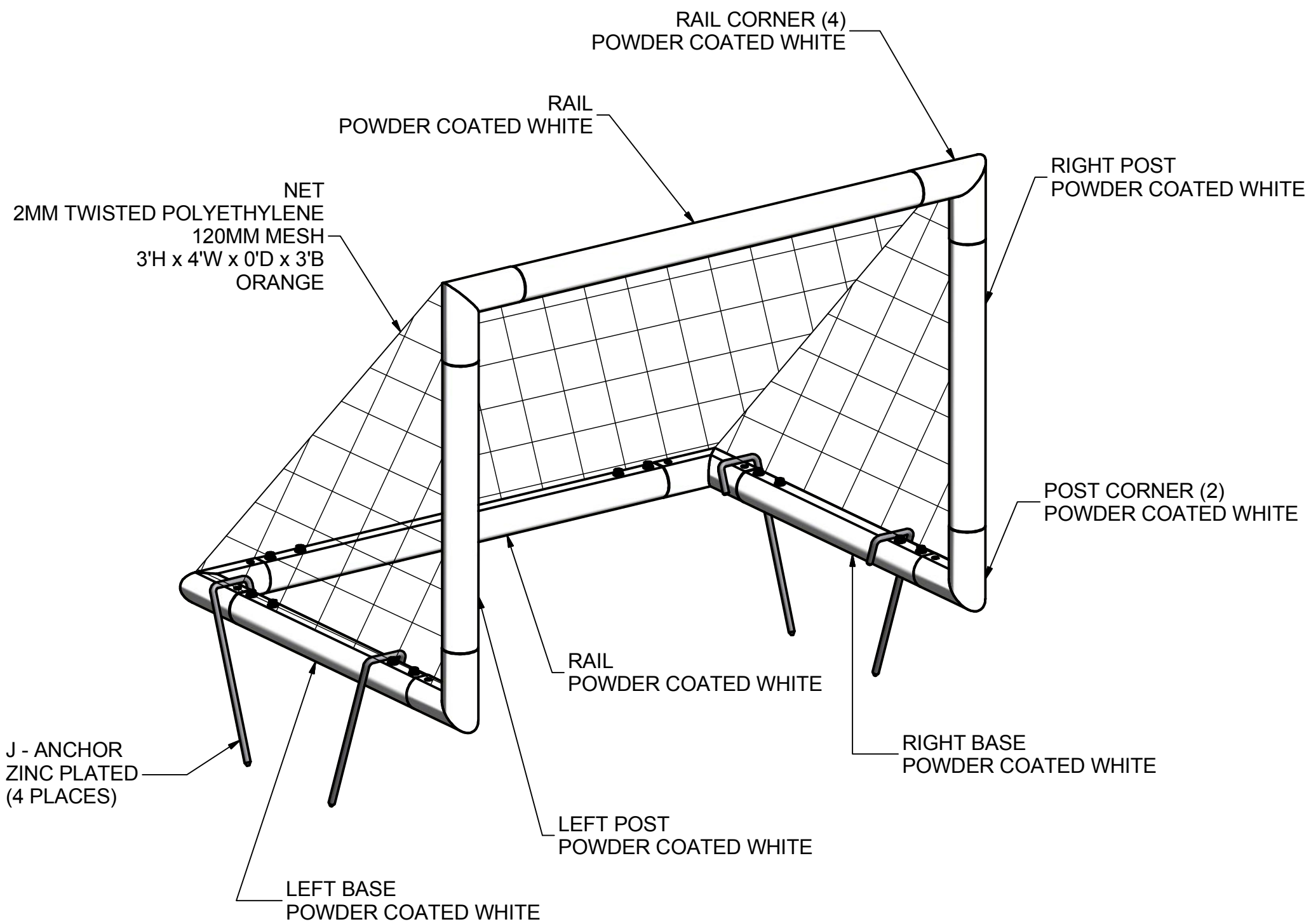


Finish Info.

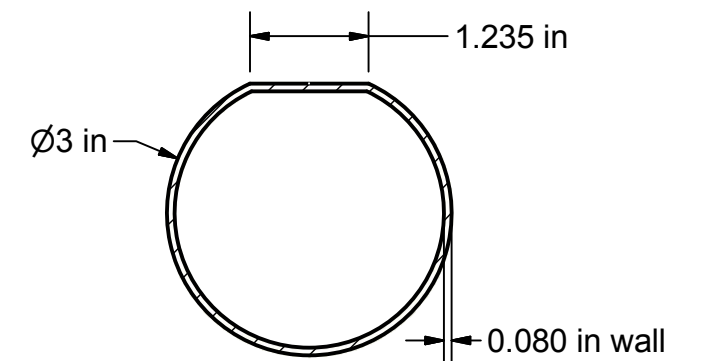
NOTES:

- 1) DIMENSIONS ARE FOR PLANNING PURPOSES. INSTALLATION MUST BE IN ACCORDANCE WITH INSTALLATION INSTRUCTIONS.

<p>THIRD ANGLE PROJECTION</p>	<p>140 Pacific Drive Quakertown, Pa. 18951</p>	
	<p>DIMENSIONS ARE IN INCHES UNLESS OTHERWISE SPECIFIED</p>	<p>Approved By:</p> <p>Date:</p>
<p>This item is the <b>exclusive</b> property of <b>KWIK GOAL LTD.</b> Reproduction or duplication <b>without</b> the express written consent of <b>KWIK GOAL LTD.</b> is <b>strictly forbidden.</b></p>	<p>Drawn By: cspeck</p> <p>Date: 8/17/2010</p> <p>Sheet: 2 of 4</p> <p>Revision #: -</p> <p>Cad File: 2B6001.idw</p>	<p>Desc:</p> <p>4'H X 6'W X 0'D X 4-1/4'B ACADEMY TRAINING GOAL</p>

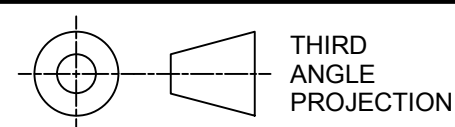


### MATERIAL DETAILS



GOAL FRAME  
MATERIAL - ALUMINUM

**Finish Info.**



**KWIKGOAL**® 140 Pacific Drive  
Quakertown,  
Pa. 18951

DIMENSIONS ARE IN INCHES  
UNLESS OTHERWISE SPECIFIED

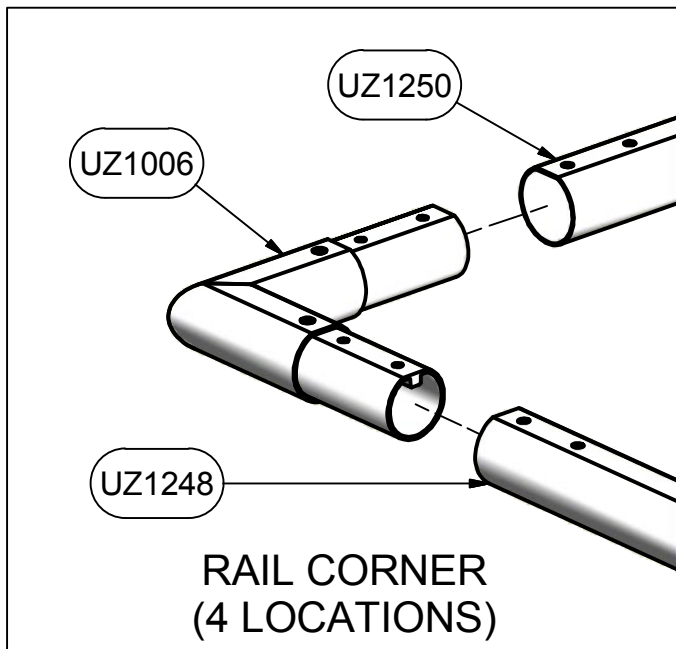
Approved By:  
Date:

Part #:  
**2B6001**

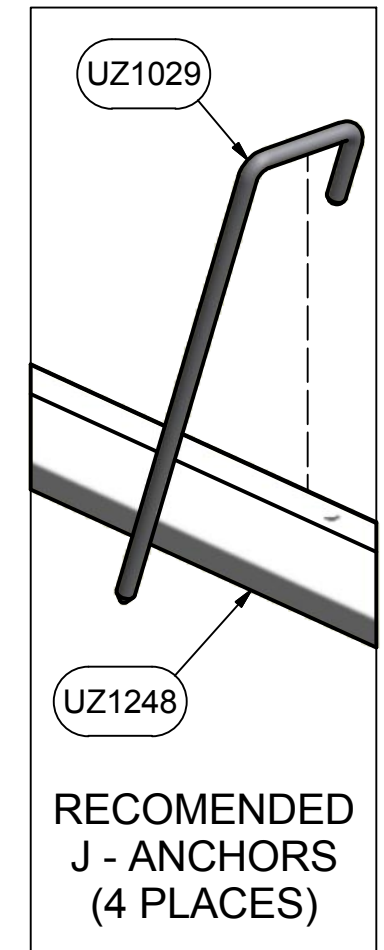
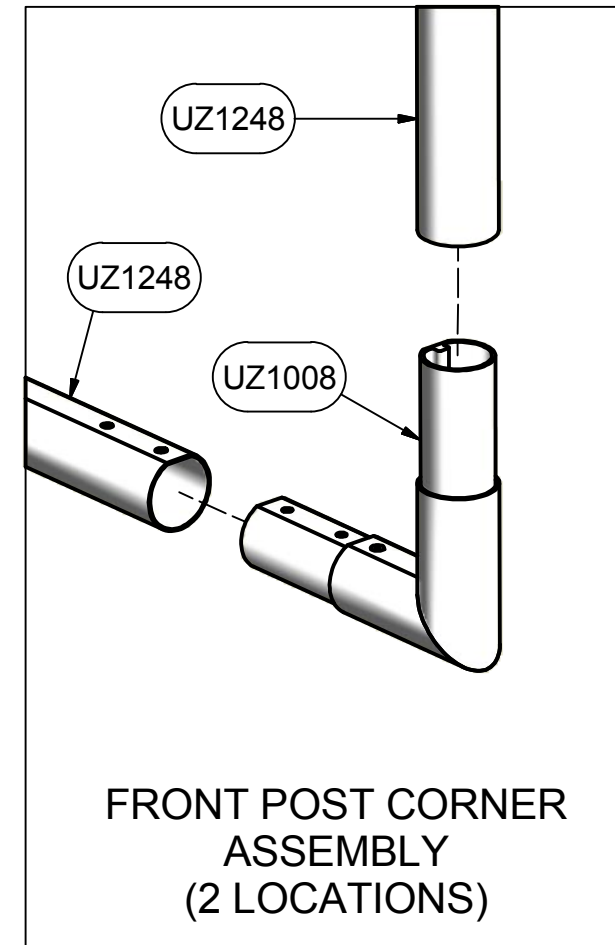
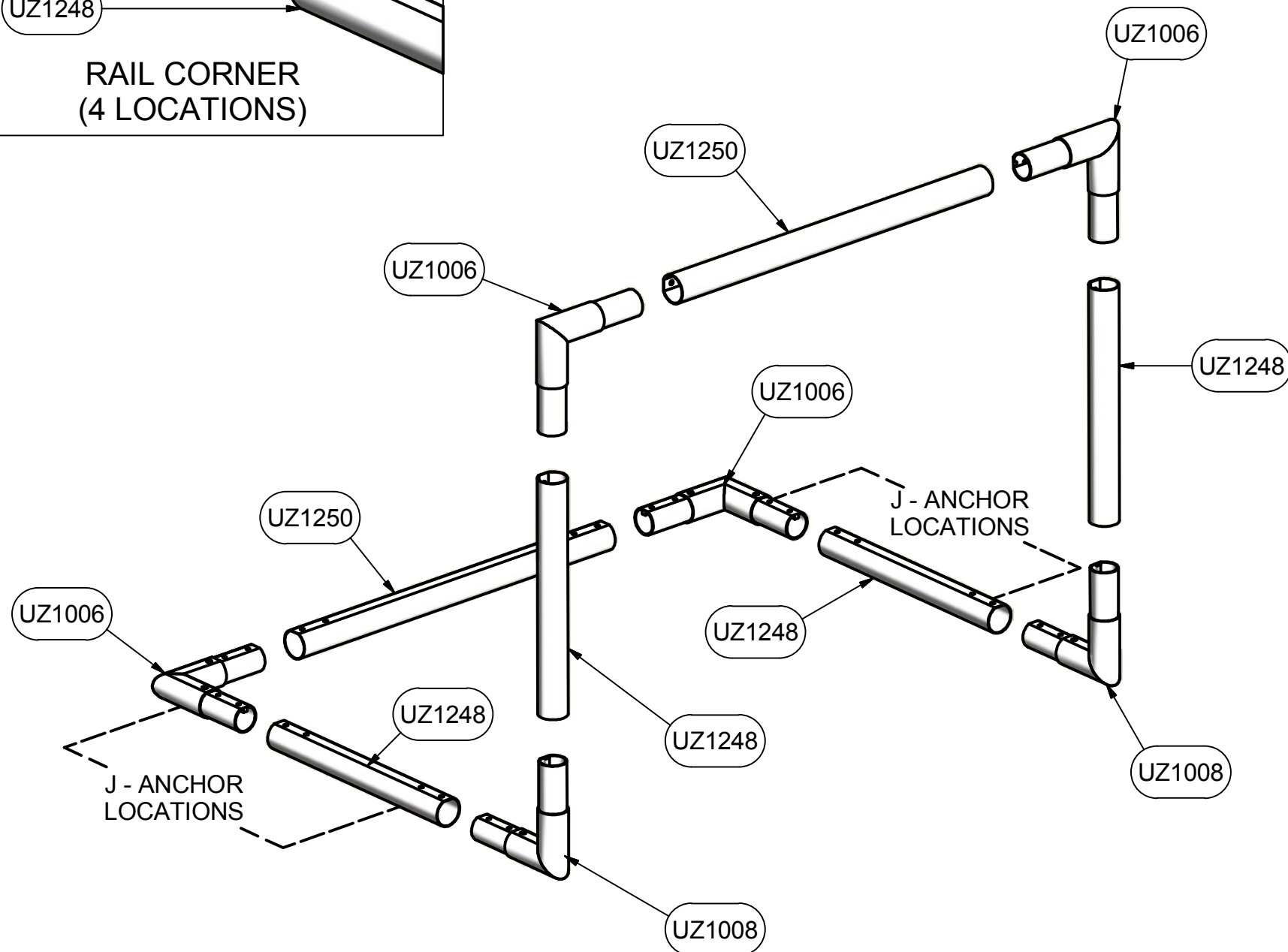
This item is the **exclusive** property of **KWIK GOAL LTD.** Reproduction or duplication **without** the express written consent of **KWIK GOAL LTD.** is **strictly forbidden.**

Drawn By: cspeck  
Date: 8/17/2010  
Sheet: 3 of 4  
Revision #: -  
Cad File: 2B6001.idw

Desc:  
4'H X 6'W X 0'D X 4-1/4'B  
ACADEMY TRAINING GOAL



Parts List		
Part #	Qty	Description
UZ1250	2	RAIL, 2B6001
UZ1248	4	POST & BASE, 2B6001
UZ1029	4	ANCHOR PEG, J-STYLE
UZ1008	2	CORNER ASSEMBLY, POST
UZ1006	4	CORNER ASSEMBLY, RAIL
3B6921	1	NET, 2MM ROPE, 120MM MESH



**Finish Info.**

<p>THIRD ANGLE PROJECTION</p>	<p>140 Pacific Drive Quakertown, Pa. 18951</p>	
	<p>DIMENSIONS ARE IN INCHES UNLESS OTHERWISE SPECIFIED</p>	<p>Approved By:</p> <p>Date:</p>
<p>This item is the <b>exclusive</b> property of <b>KWIK GOAL LTD.</b> Reproduction or duplication <b>without</b> the express written consent of <b>KWIK GOAL LTD.</b> is <b>strictly forbidden.</b></p>	<p>Drawn By: cspeck</p> <p>Date: 8/17/2010</p> <p>Sheet: 4 of 4</p> <p>Revision #: -</p> <p>Cad File: 2B6001.idw</p>	<p>Desc:</p> <p>4'H X 6'W X 0'D X 4-1/4'B ACADEMY TRAINING GOAL</p>