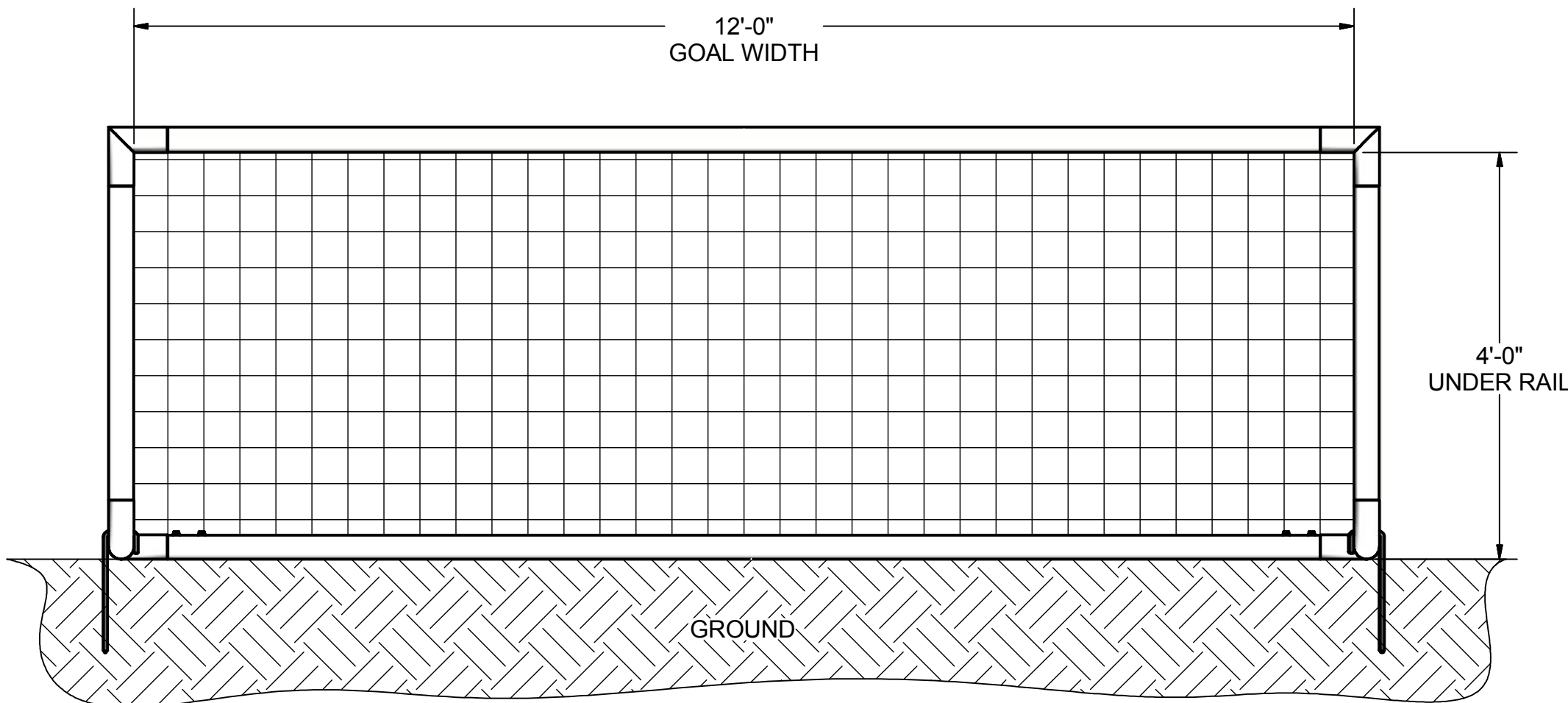
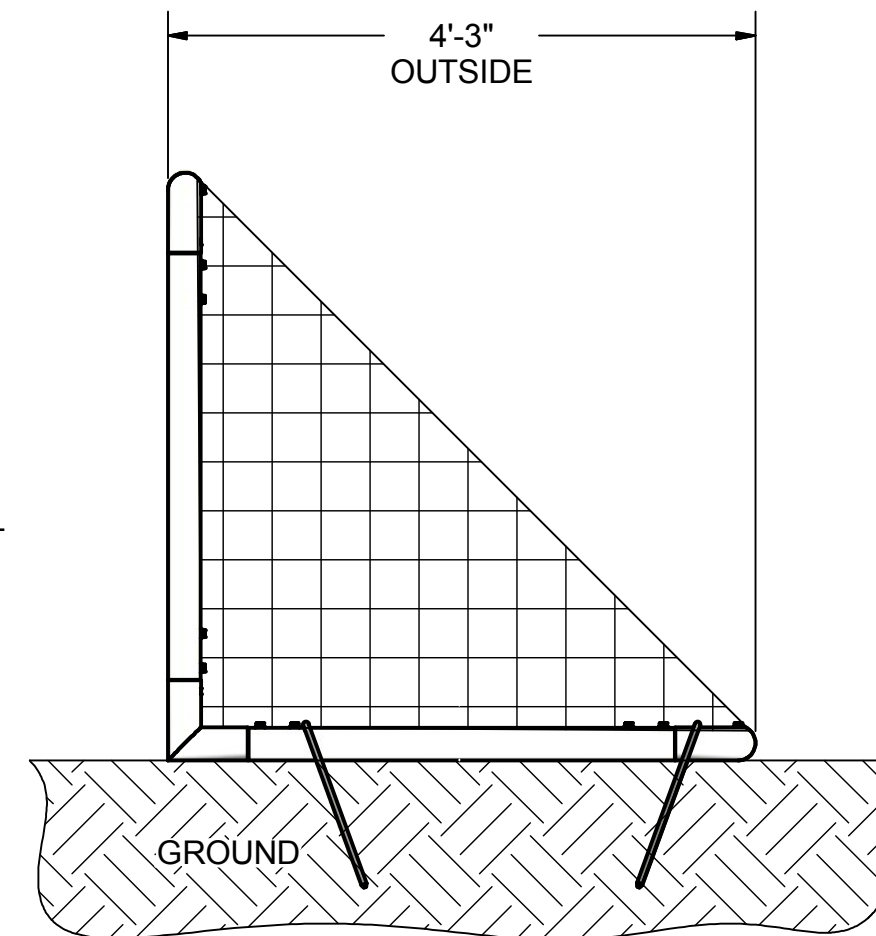


FRONT VIEW



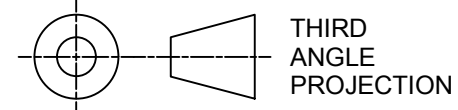
SIDE VIEW



FEATURES:

- 1) ALUMINUM GOAL FRAME
- 2) FINISH: WHITE POWDER COAT
- 3) INCLUDED:
 - J- ANCHORS
 - 2 mm, ORANGE NET
 - BUNGEE NET FASTNERS (WHITE)
- 4) ASSEMBLED GOAL WEIGHT: 60 LBS.
- 5) ASTM F2056-00 STANDARD:
 - THIS GOAL DOES NOT FALL UNDER THE SCOPE
 - OF ASTM F2056-00 BECAUSE OF IT'S SIZE AND/OR WEIGHT

Finish Info.



DIMENSIONS ARE IN INCHES UNLESS OTHERWISE SPECIFIED

This item is the **exclusive** property of **KWIK GOAL LTD.** Reproduction or duplication **without** the express written consent of **KWIK GOAL LTD.** is **strictly forbidden.**



Approved By:

Date:

Drawn By: cspeck

Date: 8/17/2010

Sheet: 1 of 4

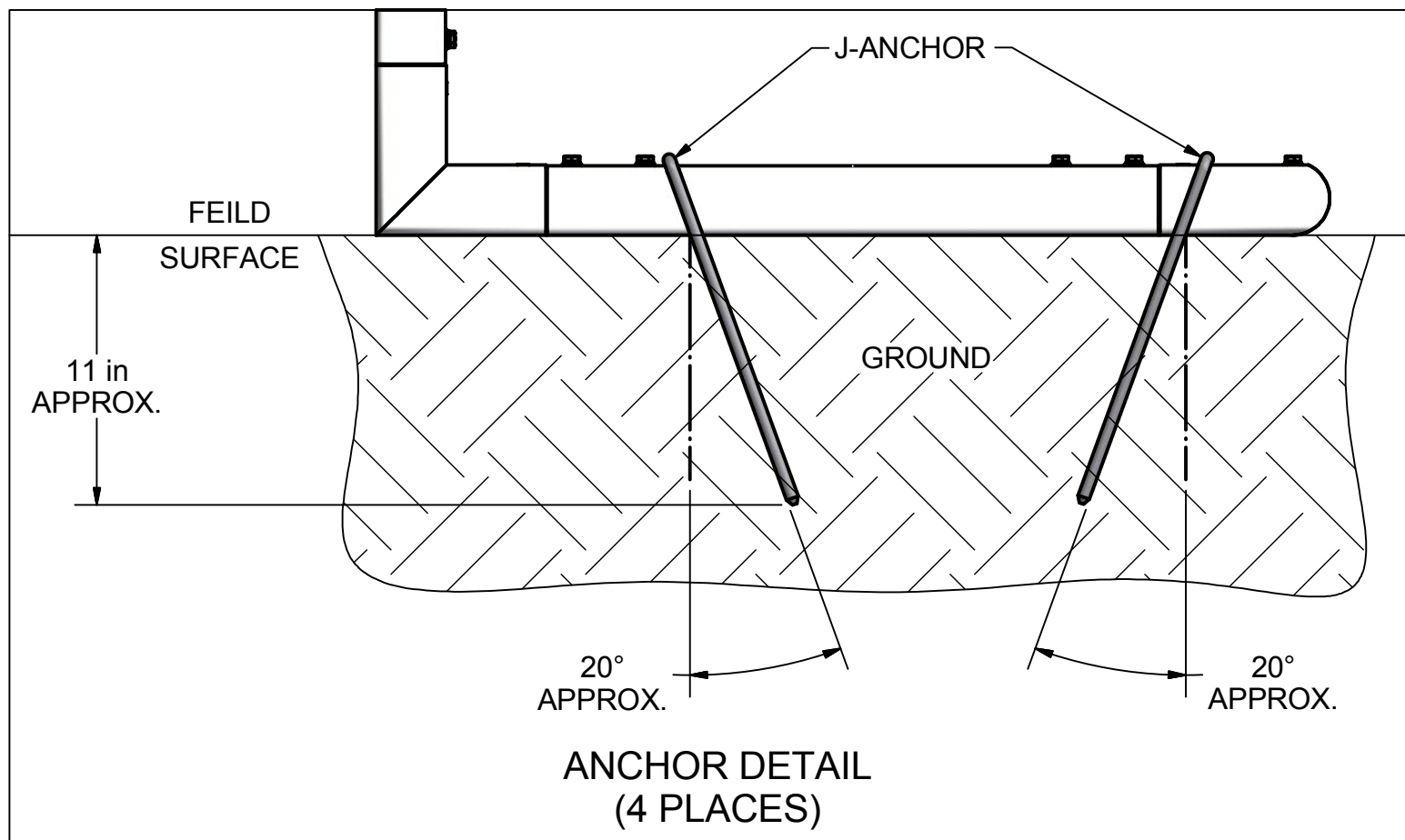
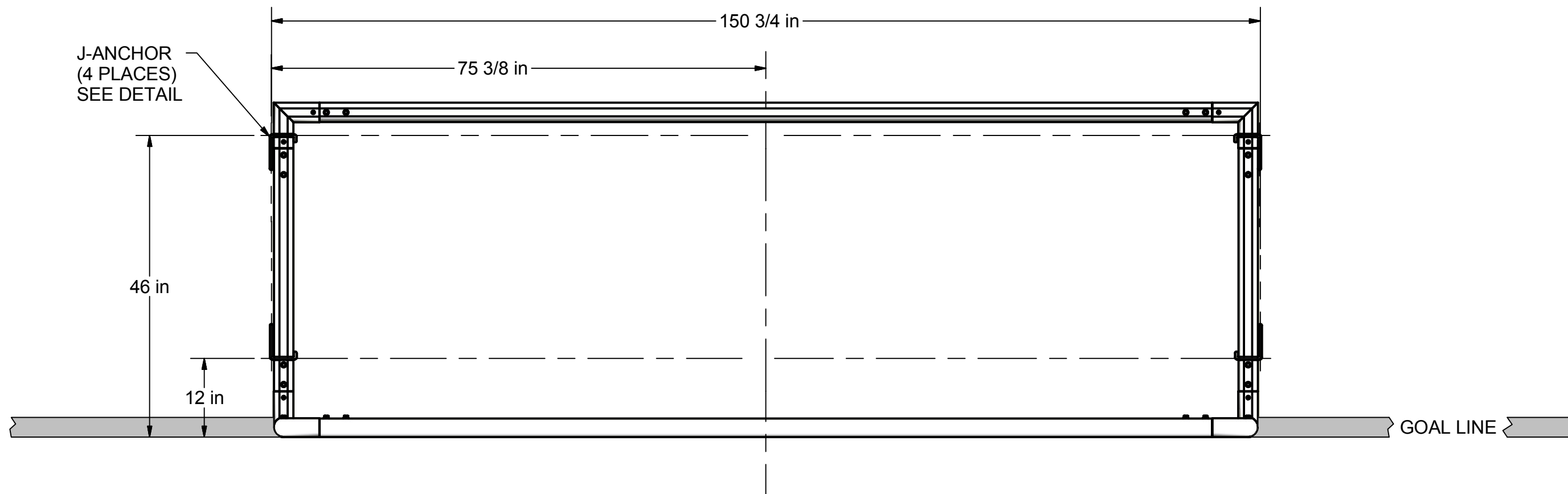
Revision #: -

Cad File: 2B6002.idw

Part #: **2B6002**

Desc: 4' H X 12'W X 0'D X 4-1/4'B
ACADEMY TRAINING GOAL

OVERHEAD VIEW

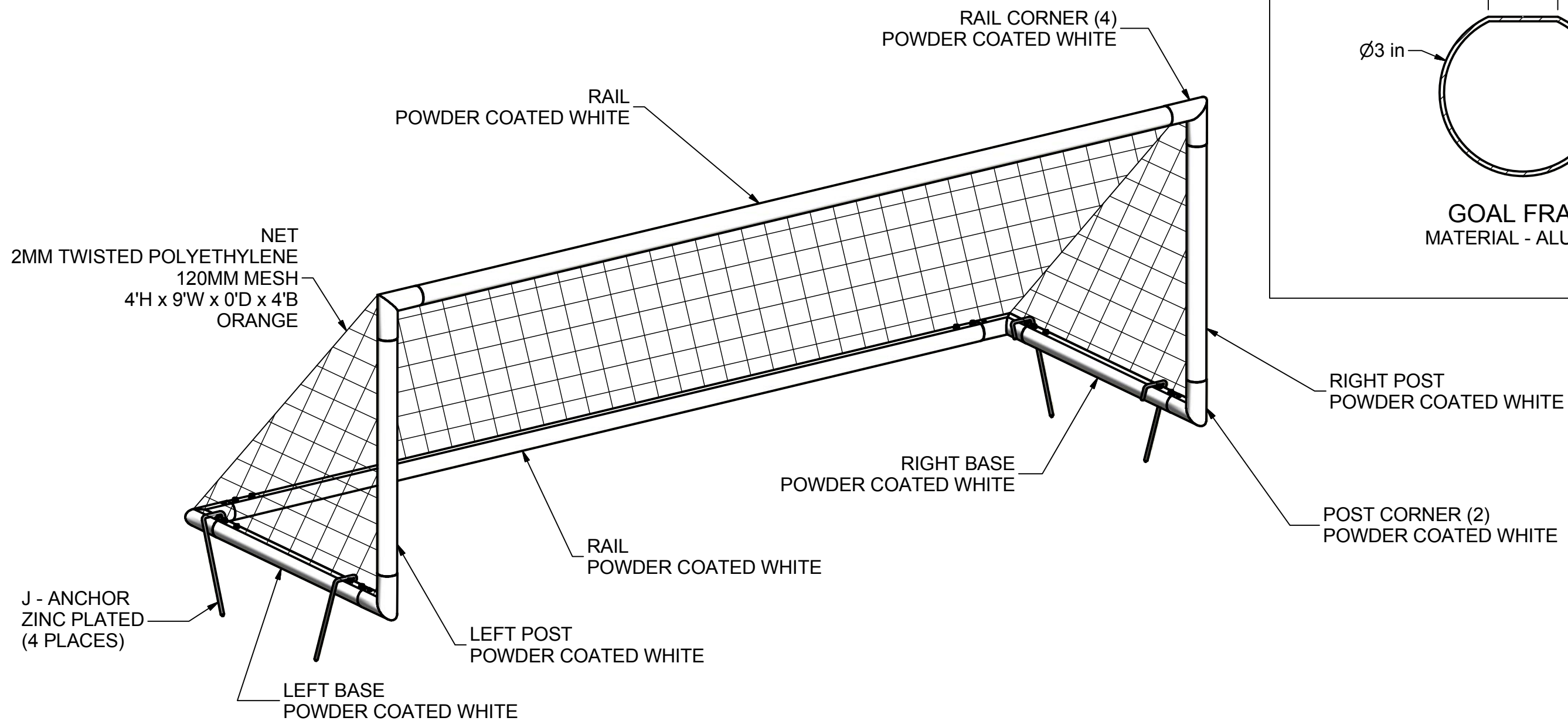


NOTES:

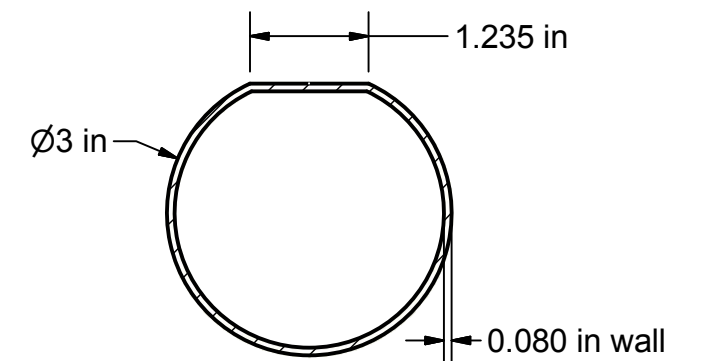
- 1) DIMENSIONS ARE FOR PLANNING PURPOSES. INSTALLATION MUST BE IN ACCORDANCE WITH INSTALLATION INSTRUCTIONS.

Finish Info.

<p>THIRD ANGLE PROJECTION</p>	<p>KWIKGOAL® 140 Pacific Drive Quakertown, Pa. 18951</p>	
	<p>DIMENSIONS ARE IN INCHES UNLESS OTHERWISE SPECIFIED</p>	<p>Approved By:</p> <p>Date:</p>
<p>This item is the exclusive property of KWIK GOAL LTD. Reproduction or duplication without the express written consent of KWIK GOAL LTD. is strictly forbidden.</p>	<p>Drawn By: cspeck</p> <p>Date: 8/17/2010</p> <p>Sheet: 2 of 4</p> <p>Revision #: -</p> <p>Cad File: 2B6002.idw</p>	<p>Desc:</p> <p>4' H X 12'W X 0'D X 4-1/4'B ACADEMY TRAINING GOAL</p>

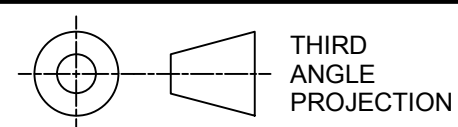


MATERIAL DETAILS



GOAL FRAME
MATERIAL - ALUMINUM

Finish Info.



KWIKGOAL® 140 Pacific Drive
Quakertown,
Pa. 18951

DIMENSIONS ARE IN INCHES
UNLESS OTHERWISE SPECIFIED

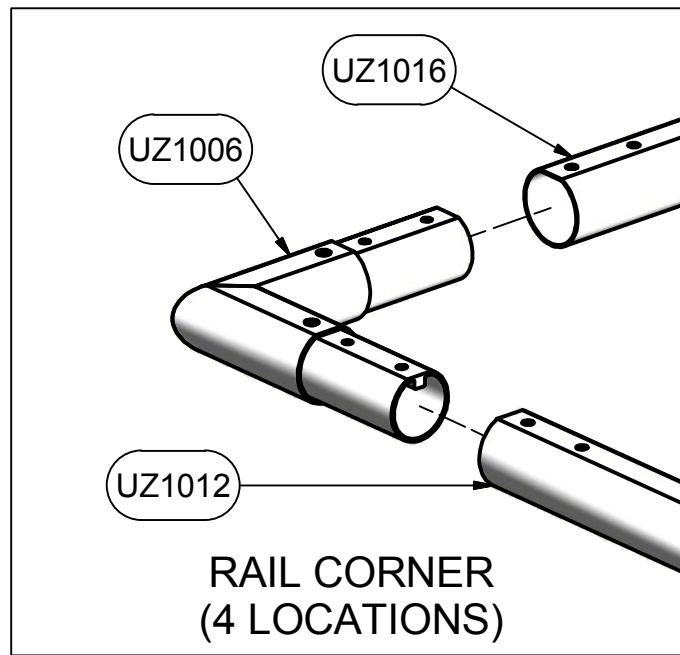
Approved By:
Date:

Part #:
2B6002

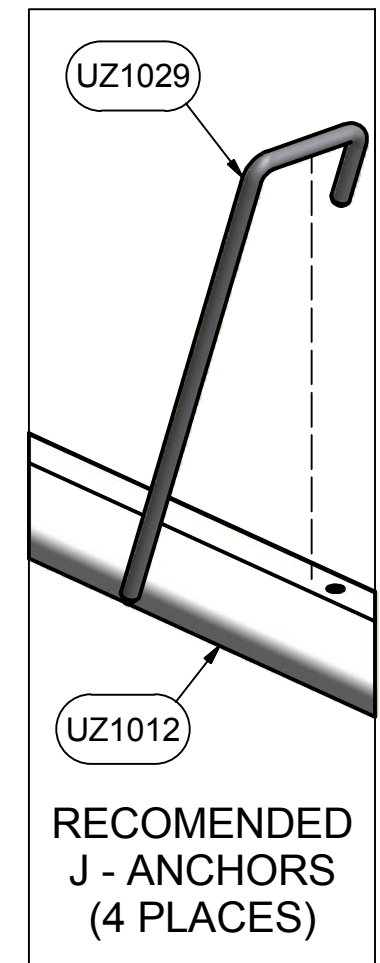
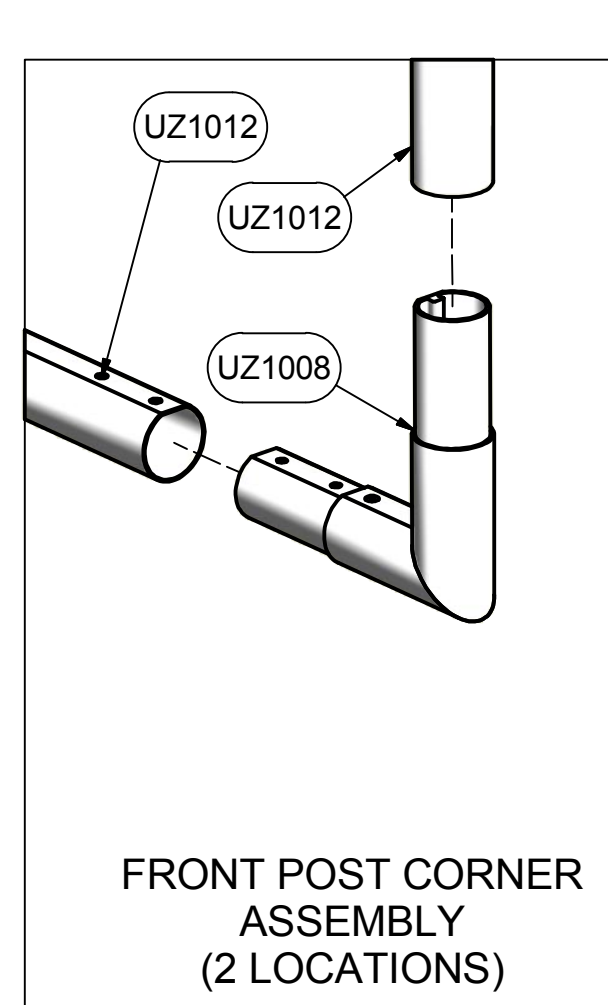
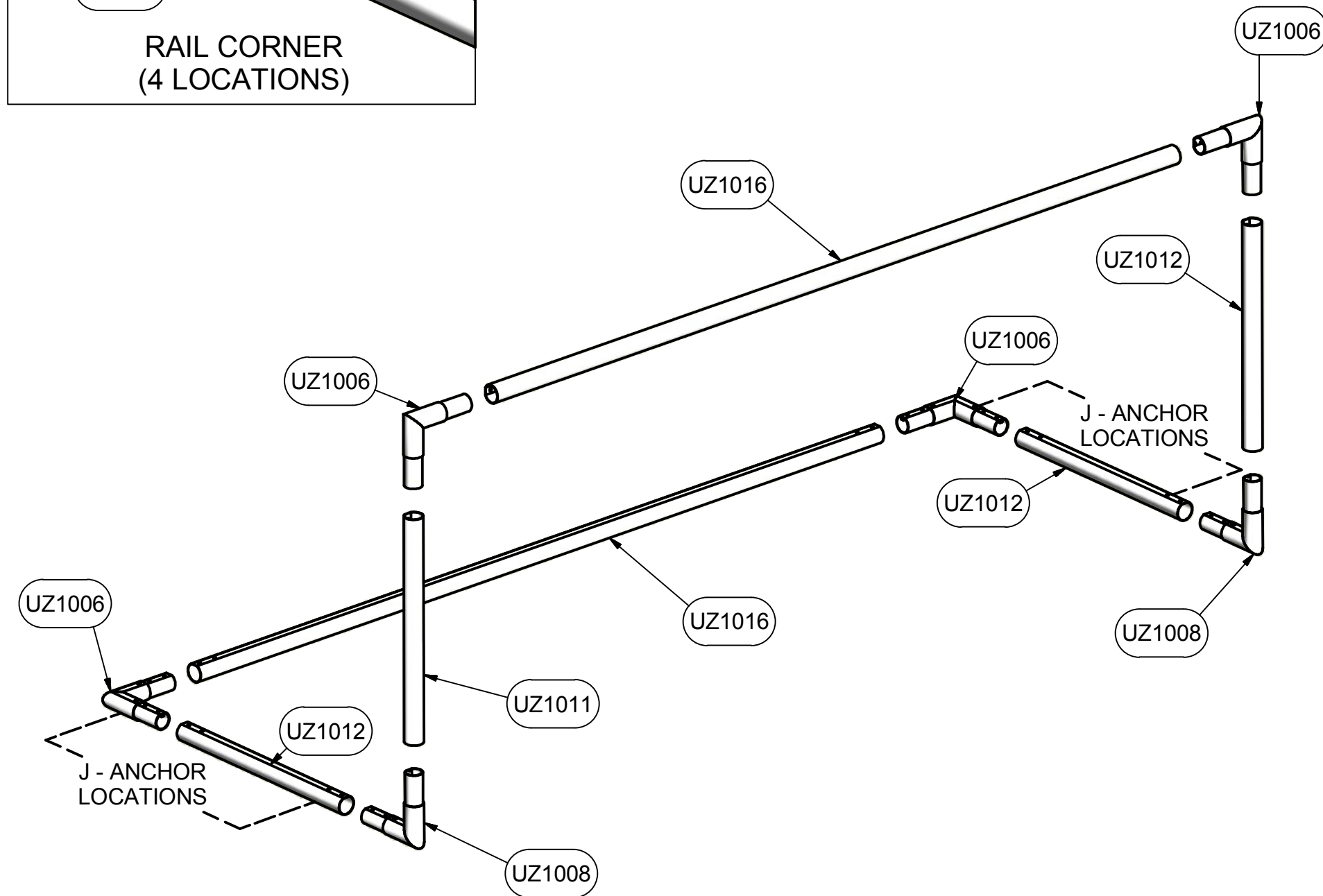
This item is the **exclusive**
property of **KWIK GOAL LTD.**
Reproduction or duplication
without the express written
consent of **KWIK GOAL LTD.**
is **strictly forbidden.**

Drawn By: cspeck
Date: 8/17/2010
Sheet: 3 of 4
Revision #: -
Cad File: 2B6002.idw

Desc:
4' H X 12' W X 0' D X 4-1/4' B
ACADEMY TRAINING GOAL



Parts List		
Part #	Qty	Description
UZ1029	4	ANCHOR PEG, J-STYLE
UZ1016	2	RAIL, 2B5003
UZ1012	3	BASE, 2B5001
UZ1011	1	POST, 2B5001
UZ1008	2	CORNER ASSEMBLY, POST
UZ1006	4	CORNER ASSEMBLY, RAIL
3B6922	1	NET, 2MM ROPE, 120MM MESH



Finish Info.

<p>THIRD ANGLE PROJECTION</p>	<p>140 Pacific Drive Quakertown, Pa. 18951</p>	
	<p>DIMENSIONS ARE IN INCHES UNLESS OTHERWISE SPECIFIED</p>	<p>Approved By:</p> <p>Date:</p>
<p>This item is the exclusive property of KWIK GOAL LTD. Reproduction or duplication without the express written consent of KWIK GOAL LTD. is strictly forbidden.</p>	<p>Drawn By: cspeck</p> <p>Date: 8/17/2010</p> <p>Sheet: 4 of 4</p> <p>Revision #: -</p> <p>Cad File: 2B6002.idw</p>	<p>Desc:</p> <p>4' H X 12' W X 0' D X 4-1/4' B ACADEMY TRAINING GOAL</p>