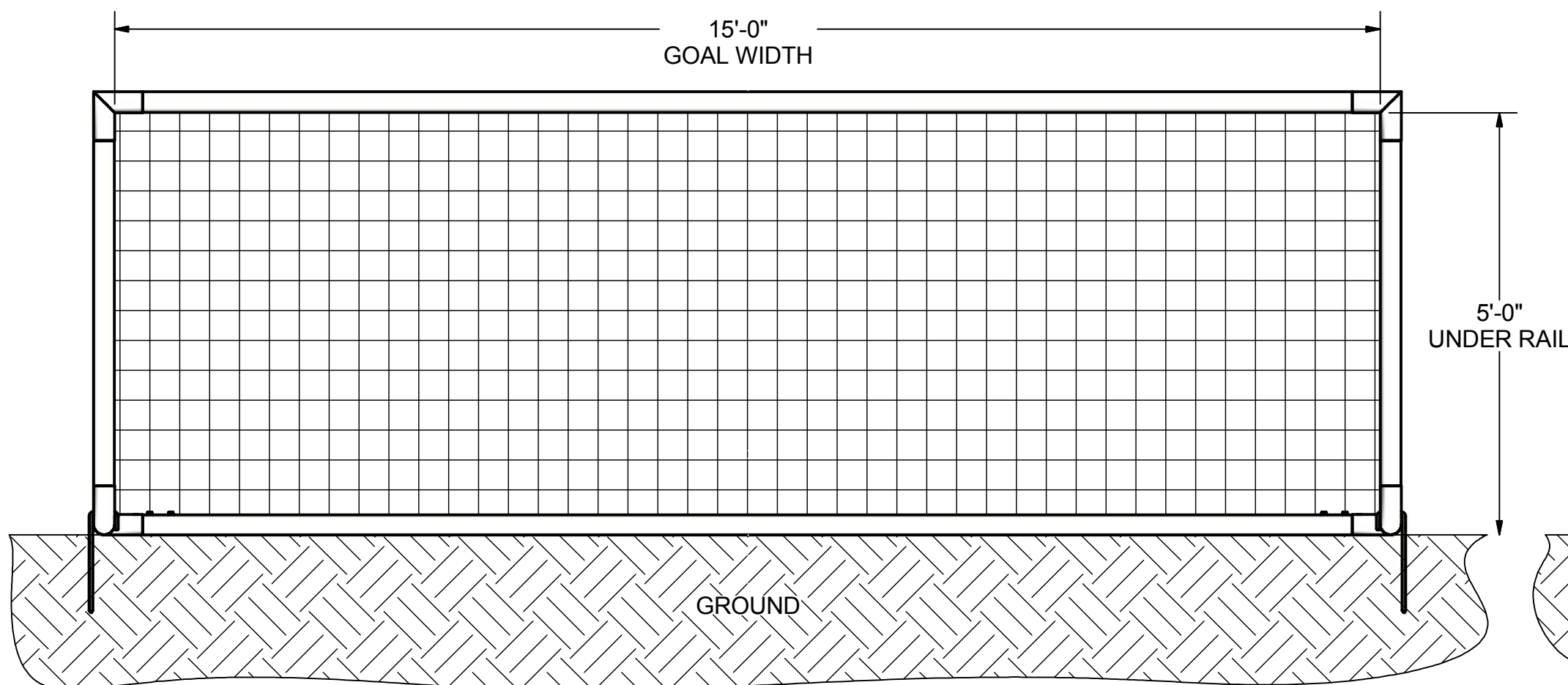
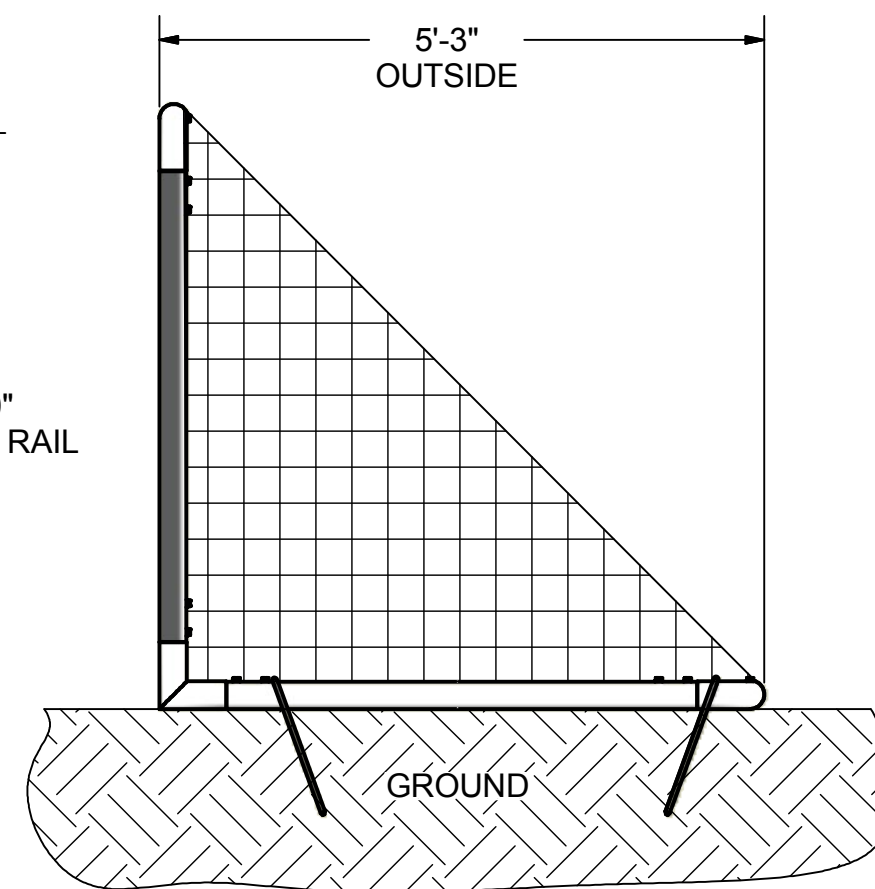


FRONT VIEW



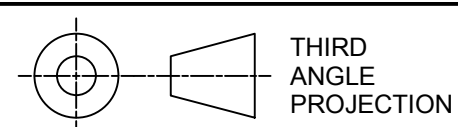
SIDE VIEW



FEATURES:

- 1) ALUMINUM GOAL FRAME
- 2) FINISH: WHITE POWDER COAT
- 3) INCLUDED:
 - J- ANCHORS
 - 2 mm, ORANGE NET
 - BUNGEE NET FASTNERS (WHITE)
- 4) ASSEMBLED GOAL WEIGHT: 70 LBS.
- 5) ASTM F2056-00 STANDARD:
 - THIS GOAL DOES NOT FALL UNDER THE SCOPE
 - OF ASTM F2056-00 BECAUSE OF IT'S SIZE AND/OR WEIGHT

Finish Info.



KWIKGOAL® 140 Pacific Drive
Quakertown, Pa. 18951

DIMENSIONS ARE IN INCHES
UNLESS OTHERWISE SPECIFIED

This item is the **exclusive** property of **KWIK GOAL LTD.** Reproduction or duplication **without** the express written consent of **KWIK GOAL LTD.** is **strictly forbidden.**

Approved By:

Date:

Drawn By: cspeck

Date: 8/17/2010

Sheet: 1 of 4

Revision #: -

Cad File: 2B6003.idw

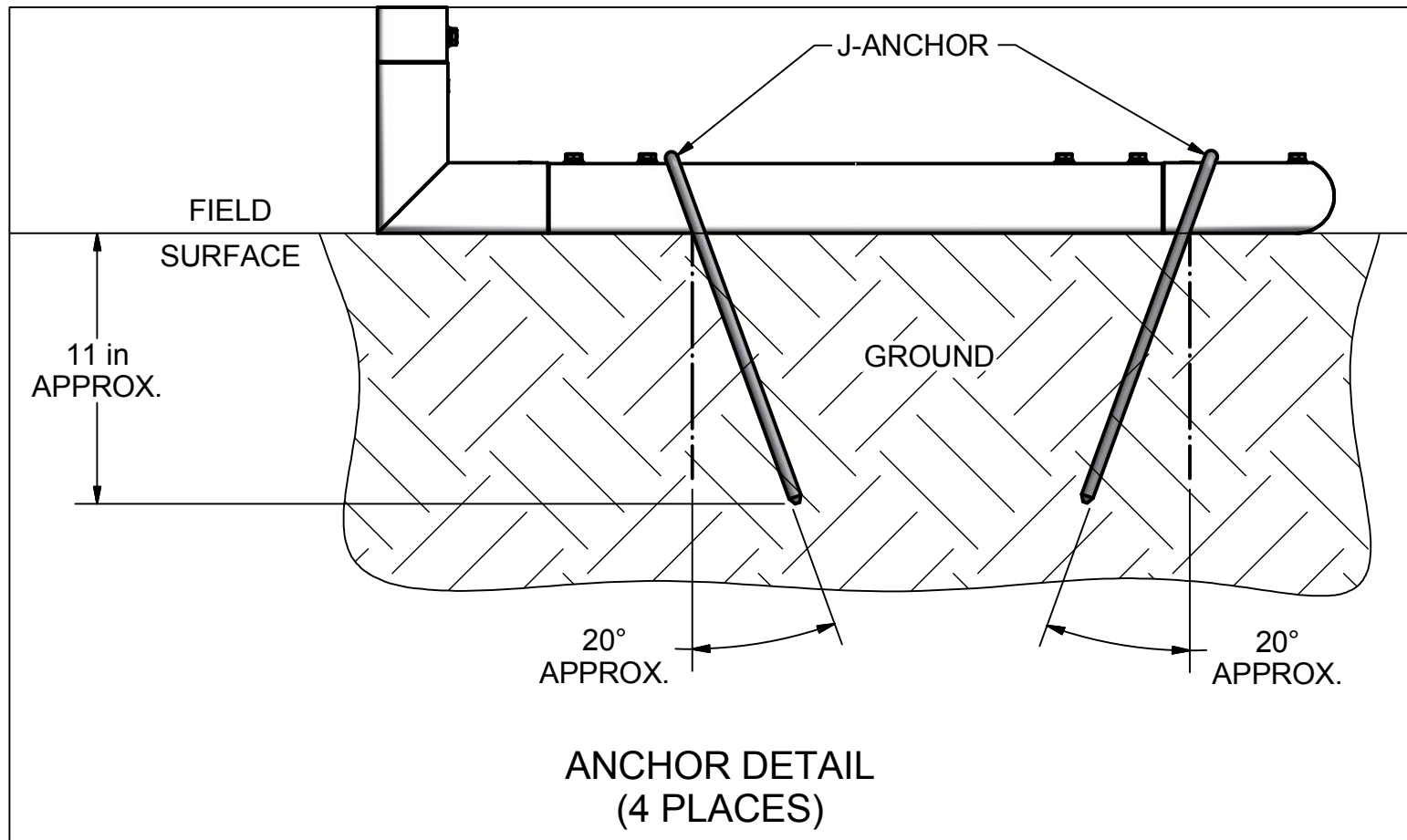
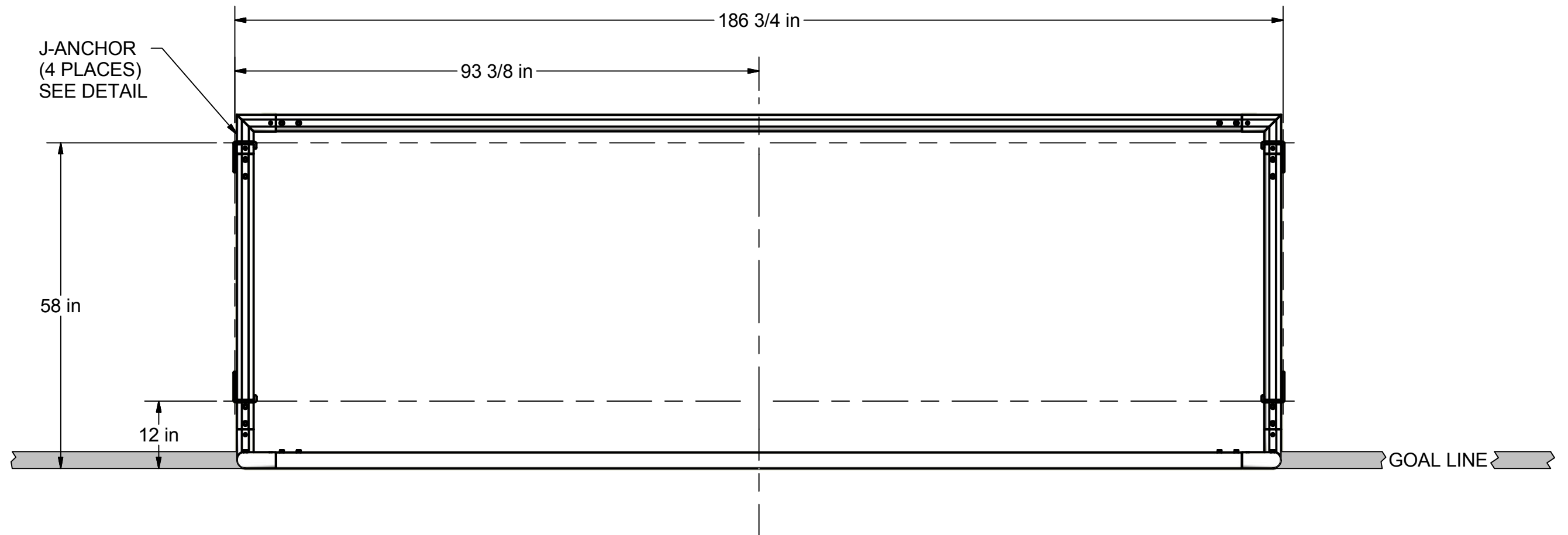
Part #:

2B6003

Desc:

5'H X 15'W X 0'D X5-1/4'B
ACADEMY TRAINING GOAL

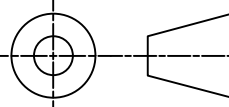

OVERHEAD VIEW



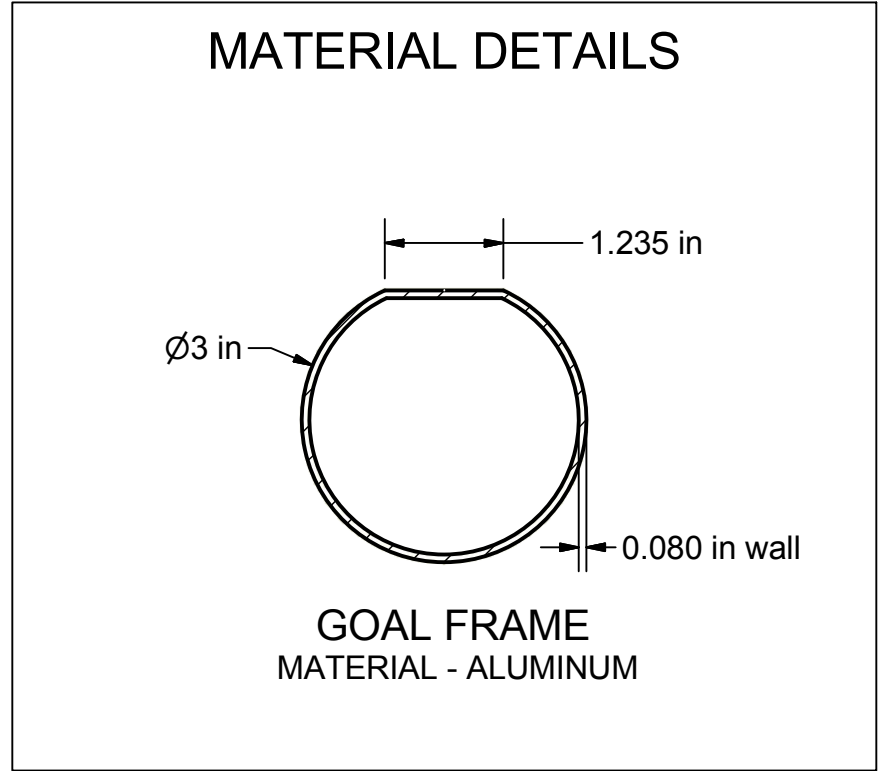
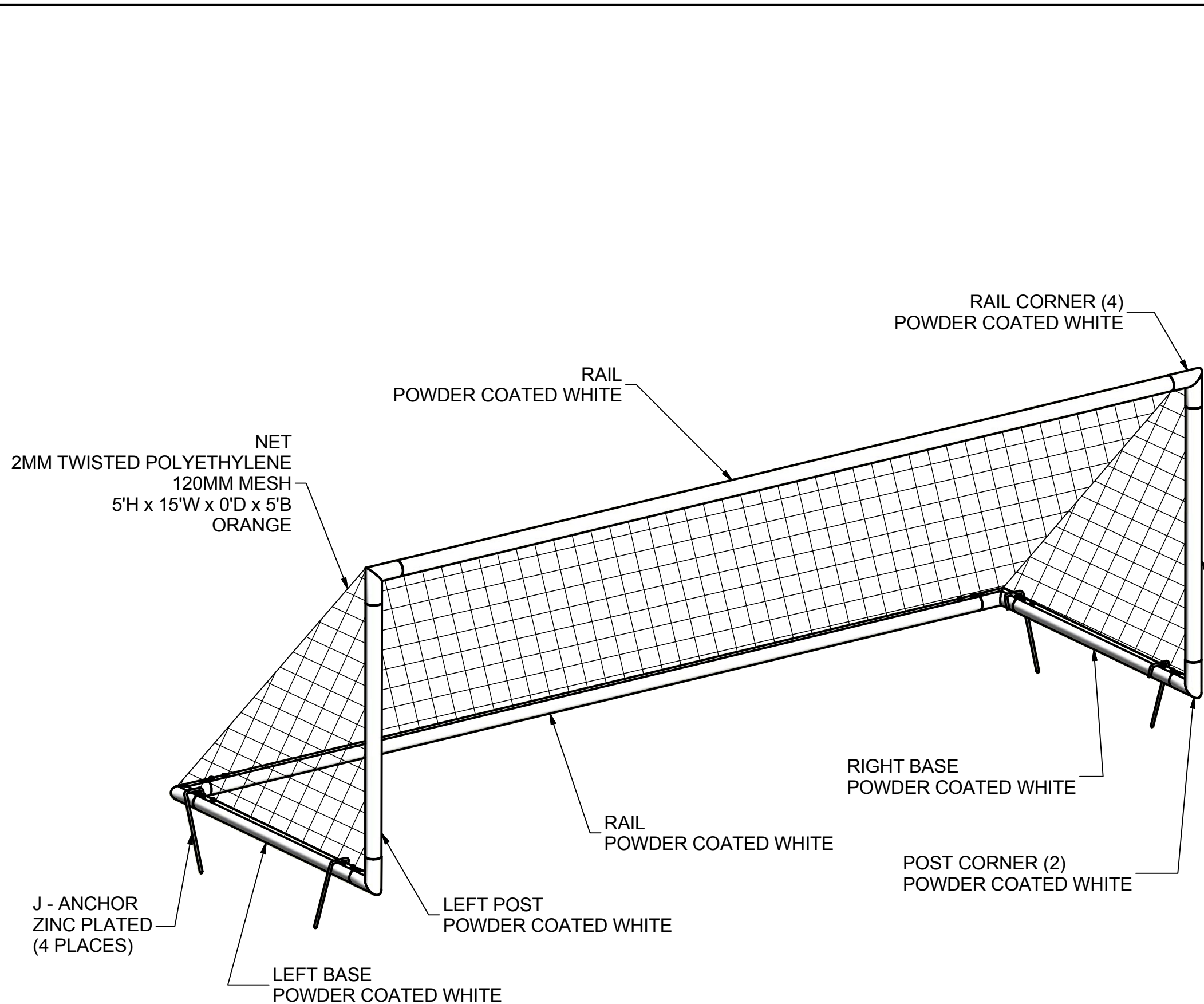
ANCHOR DETAIL
(4 PLACES)

NOTES:

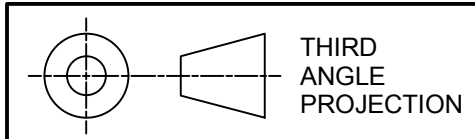
- 1) DIMENSIONS ARE FOR PLANNING PURPOSES. INSTALLATION MUST BE IN ACCORDANCE WITH INSTALLATION INSTRUCTIONS.

 THIRD ANGLE PROJECTION	 KWIKGOAL [®] 140 Pacific Drive Quakertown, Pa. 18951	
	DIMENSIONS ARE IN INCHES UNLESS OTHERWISE SPECIFIED	Approved By: Date:
This item is the exclusive property of KWIK GOAL LTD. Reproduction or duplication without the express written consent of KWIK GOAL LTD. is strictly forbidden.	Drawn By: cspeck Date: 8/17/2010 Sheet: 2 of 4 Revision #: - Cad File: 2B6003.idw	Desc: 5'H X 15'W X 0'D X5-1/4'B ACADEMY TRAINING GOAL

Finish Info.



Finish Info.



KWIKGOAL® 140 Pacific Drive
Quakertown,
Pa. 18951

DIMENSIONS ARE IN INCHES
UNLESS OTHERWISE SPECIFIED

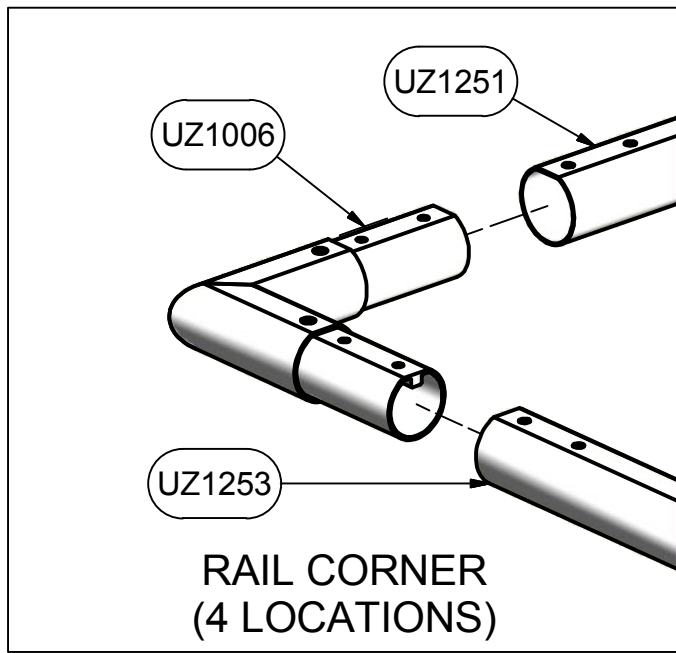
Approved By:
Date:

Part #:
2B6003

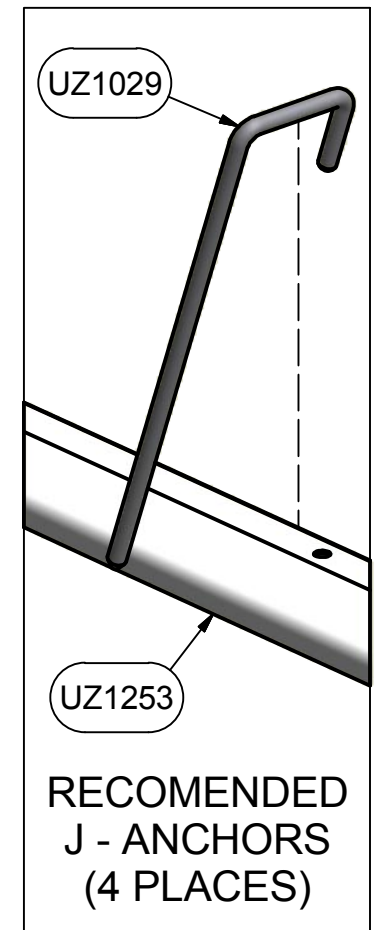
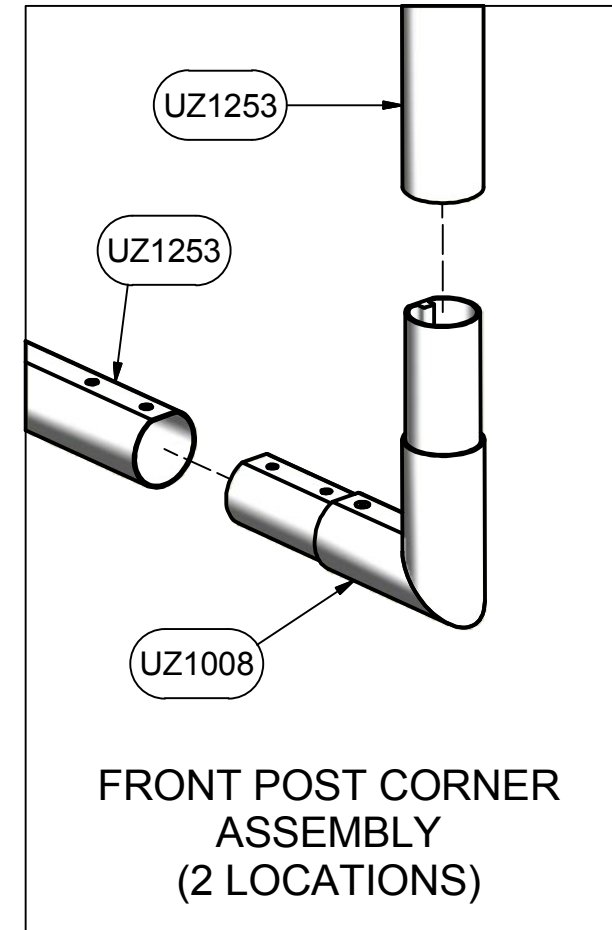
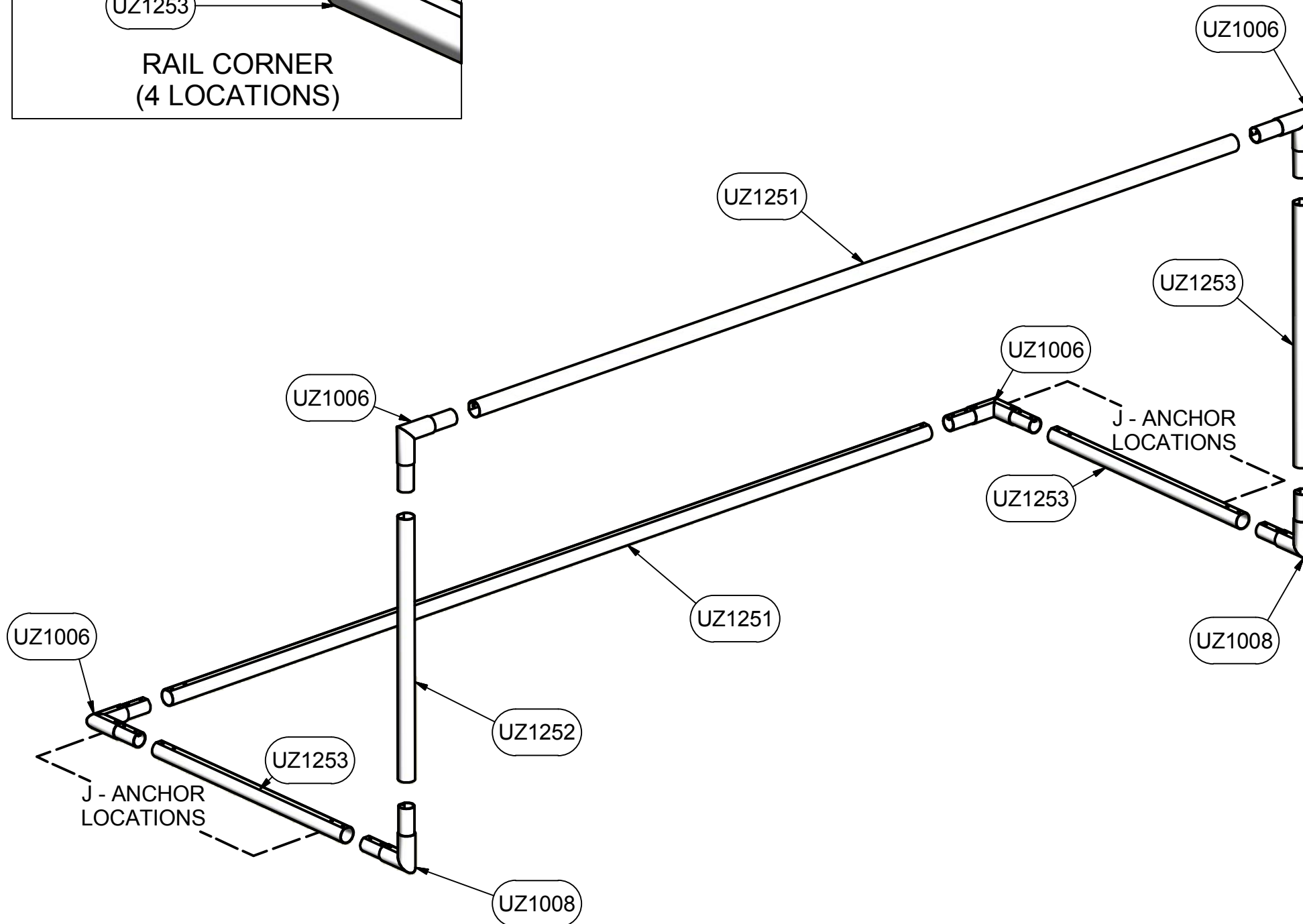
This item is the **exclusive** property of **KWIK GOAL LTD.** Reproduction or duplication **without** the express written consent of **KWIK GOAL LTD.** is **strictly forbidden.**

Drawn By: cspeck
Date: 8/17/2010
Sheet: 3 of 4
Revision #: -
Cad File: 2B6003.idw

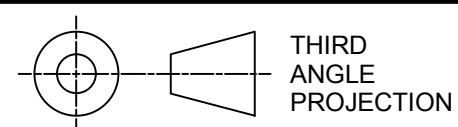
Desc:
5'H X 15'W X 0'D X 5-1/4'B
ACADEMY TRAINING GOAL



Parts List		
Part #	Qty	Description
UZ1253	3	BASE, 2B6003
UZ1252	1	POST, 2B6003
UZ1251	2	RAIL, 2B6003
UZ1029	4	ANCHOR PEG, J-STYLE
UZ1008	2	CORNER ASSEMBLY, POST
UZ1006	4	CORNER ASSEMBLY, RAIL
3B6923	1	NET, 2MM ROPE, 120MM MESH



Finish Info.



KWIKGOAL® 140 Pacific Drive
Quakertown,
Pa. 18951

DIMENSIONS ARE IN INCHES
UNLESS OTHERWISE SPECIFIED

Approved By:
Date:

Part #:
2B6003

This item is the **exclusive** property of **KWIK GOAL LTD.** Reproduction or duplication **without** the express written consent of **KWIK GOAL LTD.** is **strictly forbidden.**

Drawn By: cspeck
Date: 8/17/2010
Sheet: 4 of 4
Revision #: -
Cad File: 2B6003.idw

Desc:
5'H X 15'W X 0'D X5-1/4'B
ACADEMY TRAINING GOAL