



**IMPORTANT GOAL SAFETY INSTRUCTIONS
READ CAREFULLY**

1. Check for structural integrity and proper connecting hardware before every use. Replace damaged or missing parts or fasteners immediately.
2. Safety/Warning labels must be clearly visible.
3. Securely anchor moveable soccer goals at ALL times.
4. Always instruct players, managers, coaches, trainers, teachers, maintenance workers and all other personnel who might come in contact with the goal, on the safe handling of and potential dangers associated with moveable soccer goals.
5. Always exercise extreme caution when moving goals and provide adequate manpower to move goals of varied sizes and weights. Moveable soccer goals should only be moved by authorized personnel.
6. NEVER allow anyone to climb on the net or goal framework.
7. Moveable soccer goals should only be used on LEVEL fields, NEVER on a slope or hill area.
8. Remove nets when goals are not in use.
9. Most of the tip-over injuries occurred when goals were unattended. Anchor or chain one goal to another or to nearby fence posts, dugouts, or any other similar sturdy fixture when not in use. If this is not practical, store moveable soccer goals in a place where children cannot have access to them.
10. Fully disassemble goals for seasonal storage.

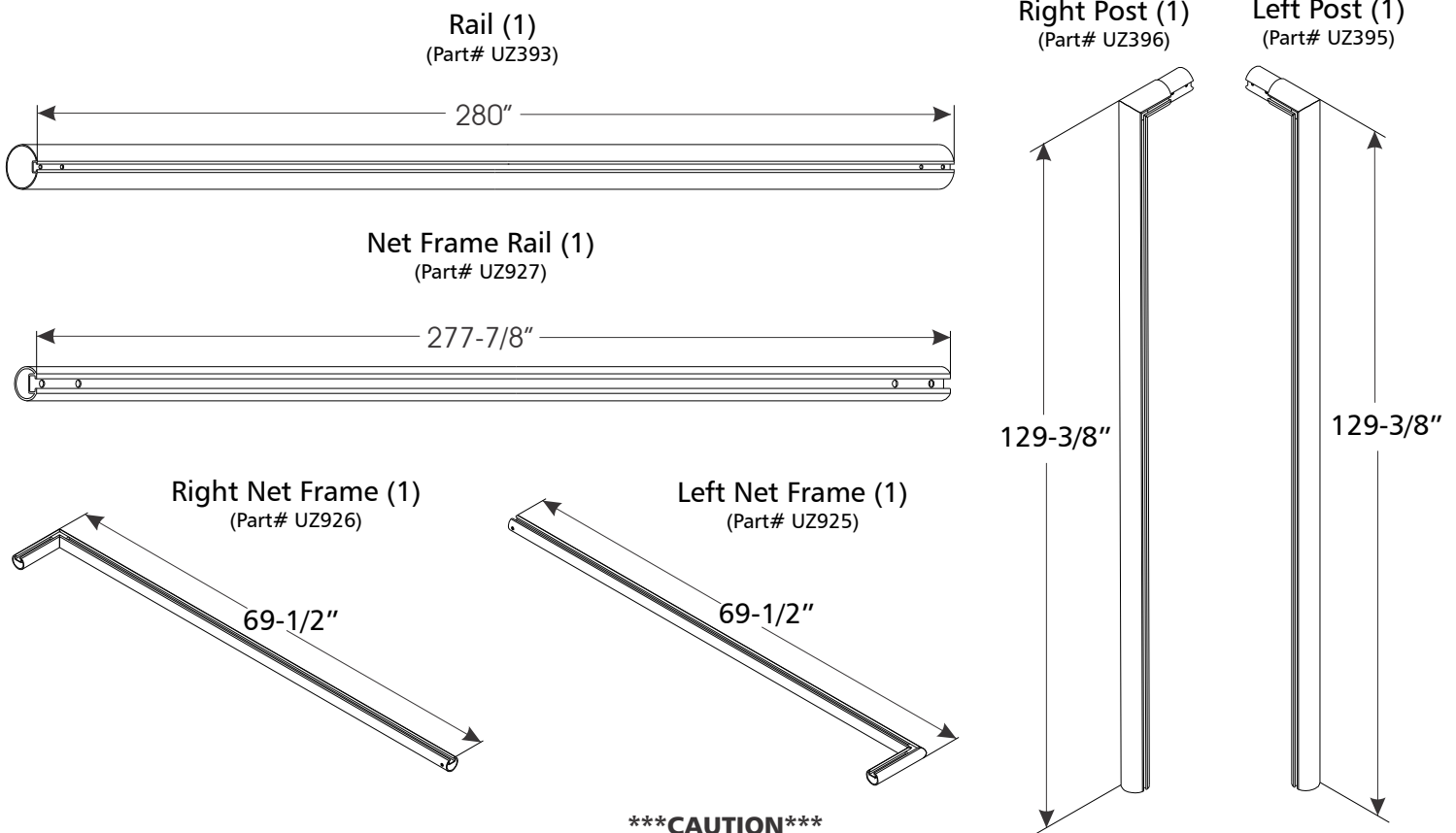


All Kwik Goal products carry a **Lifetime Guarantee**. For help with guarantee issues, visit kwikgoal.com and click on the **Lifetime Guarantee** logo or contact customer service at 1-800-531-4252.

ASSEMBLY INSTRUCTIONS FOR 2B8 PRO-PREMIER WORLD COMPETITION SOCCER GOAL

1. Unpack all parts and check for damage that may have occurred during shipping. If damage has occurred, notify trucking company immediately. Lay out all parts. Remove all cardboard or packaging immediately; Wet or damp packaging may damage contents.
2. Read through entire instruction before beginning assembly and installation.

NOTE: Components may be packaged in one or more additional boxes.

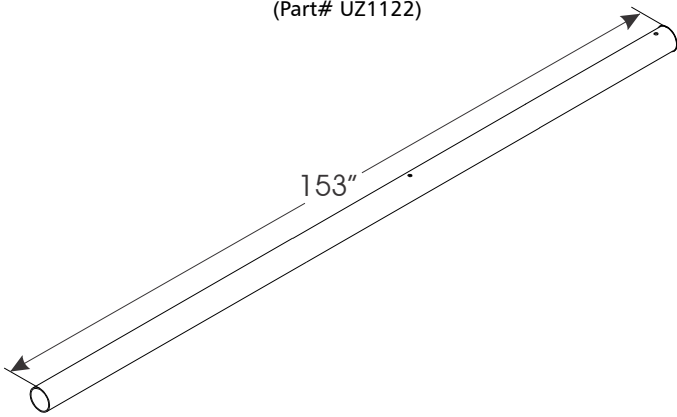


*****CAUTION*****

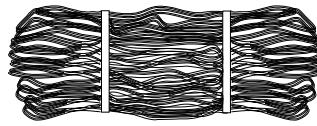
This goal has been designed to be used for the game of soccer only. Goal posts must be anchored AT ALL TIMES and shall be secured against tilting. Do not climb on the net or goal framework at anytime! All fastenings must be checked to insure they are fully tightened before and after each use of this product. Goal posts not in use must be disassembled and properly stored in a safe, secure area. (See Guidelines for Moveable Soccer Goal Safety, included.) Assembled goal posts should not be left unattended. Remove nets when goals are not in use. Do not use this equipment during the threat of high winds. Goal posts should be checked for safety before and after each use. All warning and safety labels included with this product must be visible at all times. Any modifications to this or any Kwik Goal product will void any and all warranties.

140 Pacific Drive Quakertown, PA 18951
(P) 215-536-2200 / (P) 800-531-4252 / (F) 215-536-4309 / (F) 800-778-8869
Visit our website @ kwikgoal.com
© 2005, Rev 2010 Kwik Goal Ltd.

Back Pole (3)
(Part# UZ1122)



Net (1)
(Part# 3B1521)



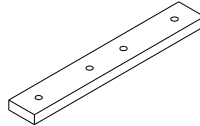
Net Clip (80)
(Part# VZ116)



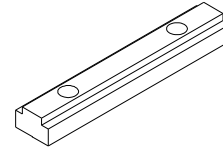
Net Fastener (1)
(Part# VZ229)



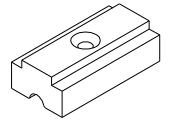
Net Frame
Connector Plate (2)
(Part# UZ929)



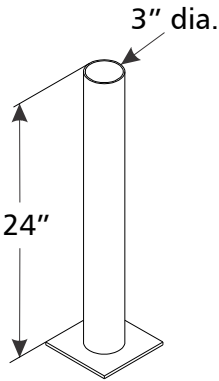
Channel Spacer (6)
(Part# UZ812)



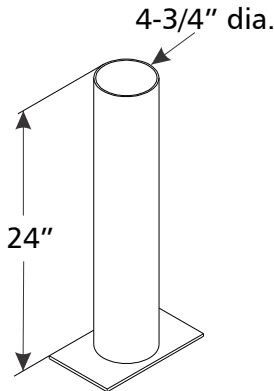
T-Spacer (2)
(Part# WZ442)



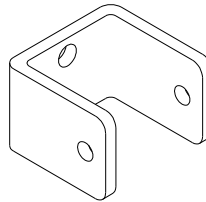
Back Pole
Ground Sleeve (3)
(Part# UZ463)



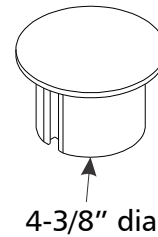
Front Post
Ground Sleeve (2)
(Part# UZ65)



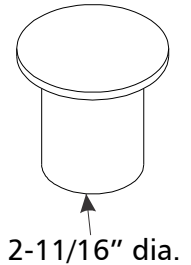
Net Frame Channel
Connector (2)
(Part# UZ909)



Front Post Ground
Sleeve Cap (2)
(Part# UZ66)



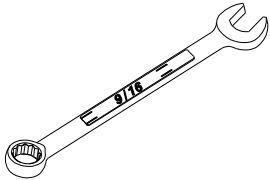
Back Pole Ground
Sleeve Cap (3)
(Part# UZ56)



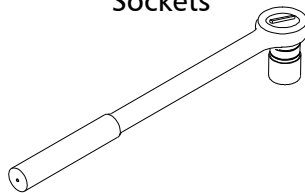
Assembly Tools

Hardware

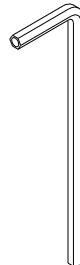
1/2", 9/16" & 3/4"
Wrenches



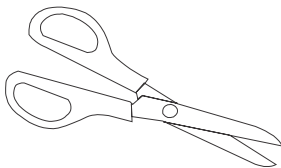
Ratchet with
1/2", 9/16" & 3/4"
Sockets



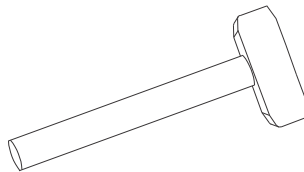
Allen wrench
1/4"



Scissors



Mallet



Note: Hardware may be packaged separately in one or more boxes. Open all packages before beginning assembly.

- 1/4" x 1/2" Set Screw (Part# TZ252) (2)
- 3/8" x 1 1/4" Hex Bolt (Part# TZ59) (12)
- 3/8" x 7/8" Hex Bolt (Part# TZ249) (6)
- 3/8" Lock Washer (Part# TZ65) (16)
- 3/8" Flat Washer (Part# TZ60) (16)
- 3/8" Square Nut (Part# TZ247) (4)
- 5/16" x 3 1/4" Hex Bolts (Part# TZ206) (2)
- 5/16" Flat Washer (Part# TZ4) (4)
- 5/16" Lock Nut (Part# TZ5) (2)
- Nylon Straps (Part# UZ612) (3)

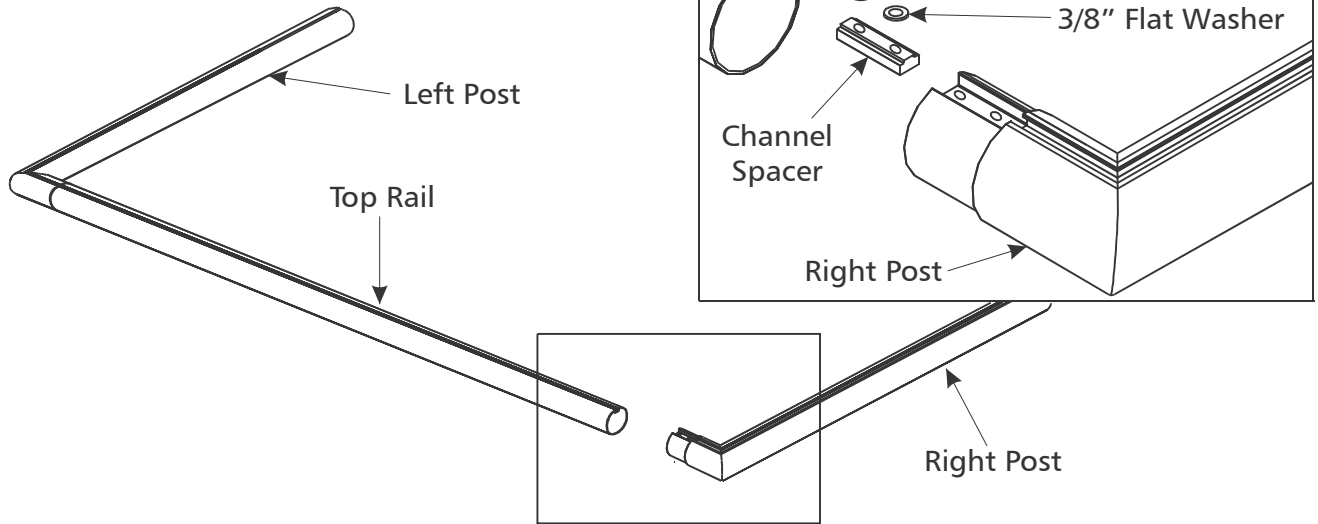
UZ612 Includes: Ratchet Binder
Snap Link
3/8" Lock Nut
3/8" Eyebolt

*****CAUTION*****

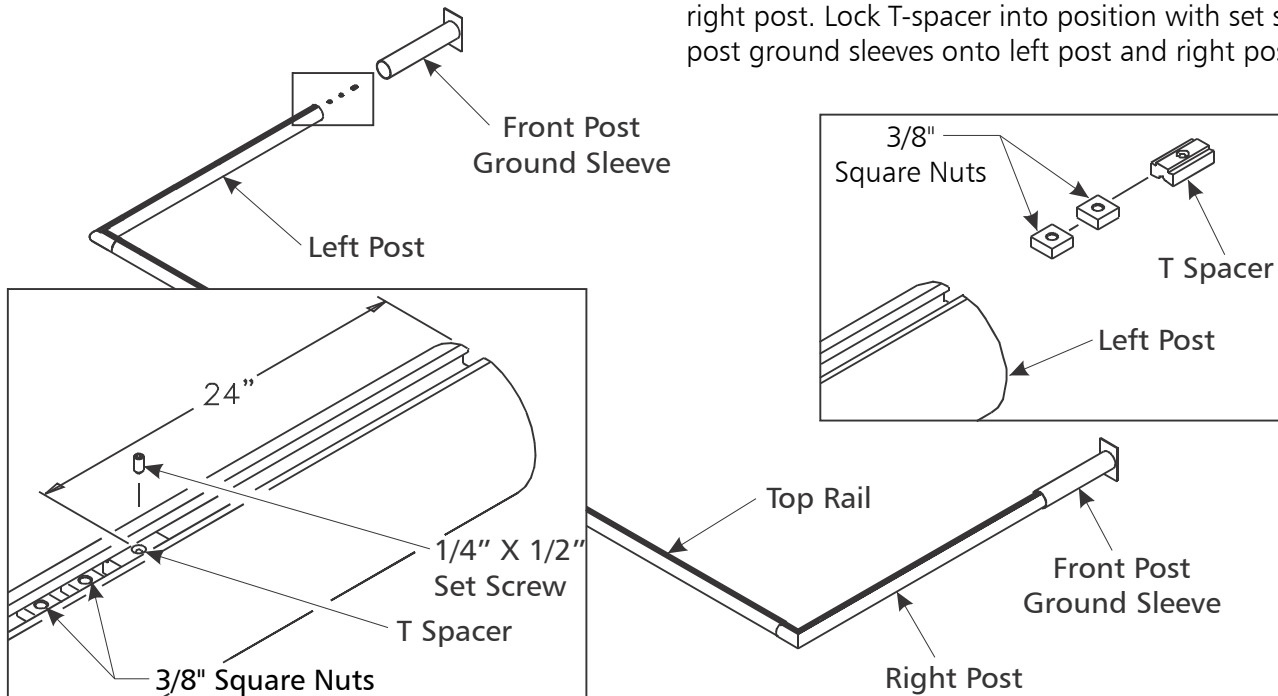
This goal has been designed to be used for the game of soccer only. Goal posts must be anchored AT ALL TIMES and shall be secured against tilting. Do not climb on the net or goal framework at anytime! All fastenings must be checked to insure they are fully tightened before and after each use of this product. Goal posts not in use must be disassembled and properly stored in a safe, secure area. (See Guidelines for Moveable Soccer Goal Safety, included.) Assembled goal posts should not be left unattended. Remove nets when goals are not in use. Do not use this equipment during the threat of high winds. Goal posts should be checked for safety before and after each use. All warning and safety labels included with this product must be visible at all times. Any modifications to this or any Kwik Goal product will void any and all warranties.

3. Lay out left post and right post face down on turf. Insert channel spacers into channel on each end of top rail. Insert sleeve of left post and right post into top rail. Line up all holes. Connect top rail with hex bolts. **NOTE:** Be sure to coat threads on all bolts with anti-seize compound before fastening.

CAUTION: DO NOT OVER-TIGHTEN BOLTS.



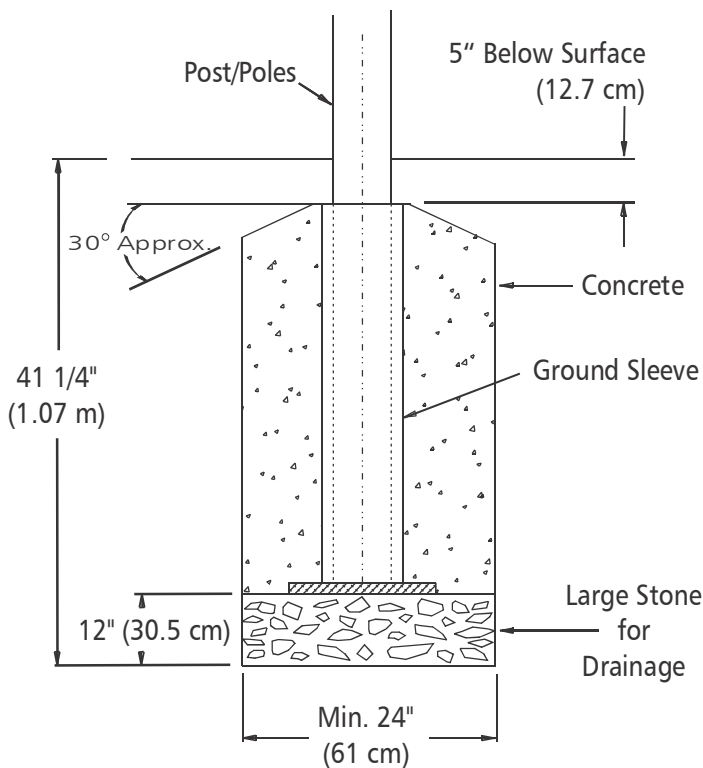
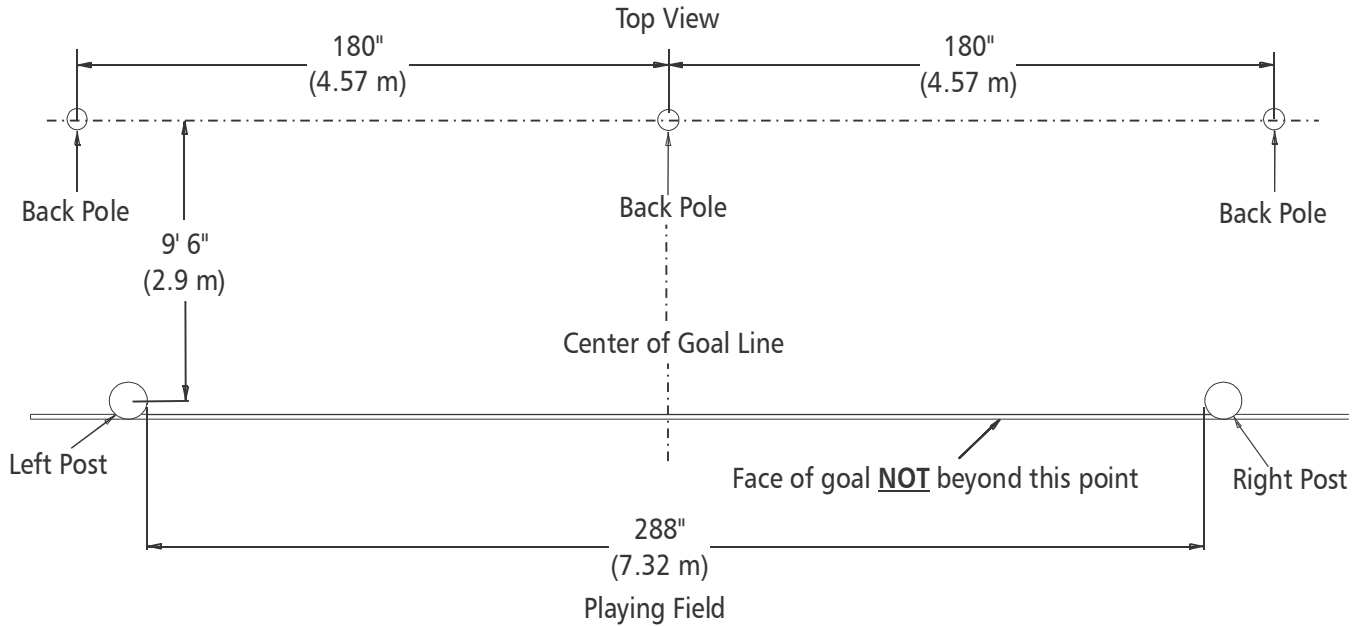
4. Insert two 3/8" square nuts and one T-spacer into left post and right post. Lock T-spacer into position with set screws. Slide front post ground sleeves onto left post and right post.



*****CAUTION*****

This goal has been designed to be used for the game of soccer only. Goal posts must be anchored AT ALL TIMES and shall be secured against tilting. Do not climb on the net or goal framework at anytime! All fastenings must be checked to insure they are fully tightened before and after each use of this product. Goal posts not in use must be disassembled and properly stored in a safe, secure area. (See Guidelines for Moveable Soccer Goal Safety, included.) Assembled goal posts should not be left unattended. Remove nets when goals are not in use. Do not use this equipment during the threat of high winds. Goal posts should be checked for safety before and after each use. All warning and safety labels included with this product must be visible at all times. Any modifications to this or any Kwik Goal product will void any and all warranties.

5. Mark field location for front posts and back poles.



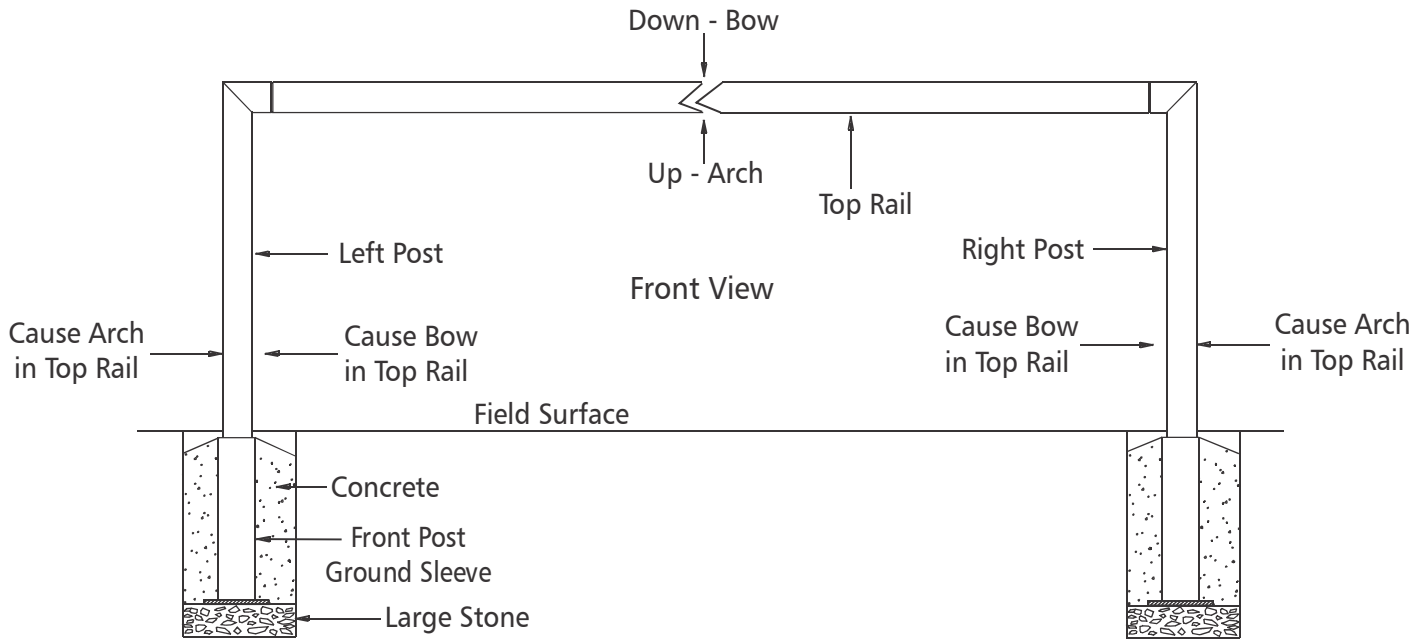
6. Dig holes 41 1/4" (1.07 m) deep and a minimum of 24" (61 cm) across. Fill bottom of holes with 1" diameter stone until the hole is 29 1/4" (74.3 cm) in depth, until the top of ground sleeve is 5" (12.7 cm) below field surface.

NOTE: The stone base allows water and small debris to flow through the hole located in the bottom of ground sleeve.

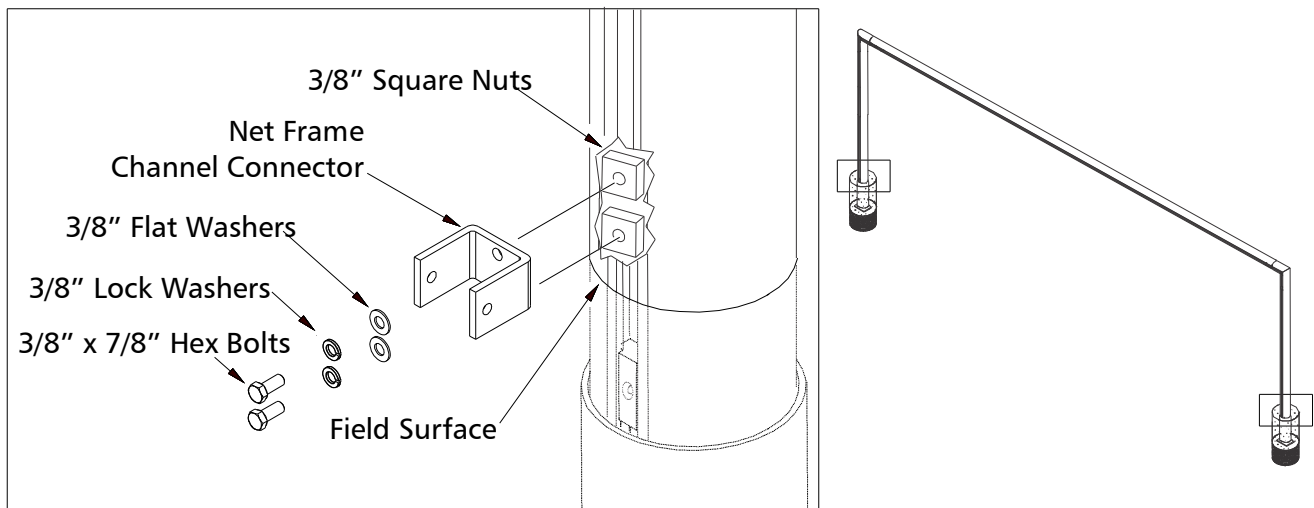
*****CAUTION*****

This goal has been designed to be used for the game of soccer only. Goal posts must be anchored AT ALL TIMES and shall be secured against tilting. Do not climb on the net or goal framework at anytime! All fastenings must be checked to insure they are fully tightened before and after each use of this product. Goal posts not in use must be disassembled and properly stored in a safe, secure area. (See Guidelines for Moveable Soccer Goal Safety, included.) Assembled goal posts should not be left unattended. Remove nets when goals are not in use. Do not use this equipment during the threat of high winds. Goal posts should be checked for safety before and after each use. All warning and safety labels included with this product must be visible at all times. Any modifications to this or any Kwik Goal product will void any and all warranties.

- Set assembled goal posts with front post ground sleeves, back poles and back poles ground sleeves into holes. Plumb and level goal, making sure the bottom of top rail is 8 feet (2.44 m) from the field surface. Face of the goal post should not enter into playing field. Seal space between left post and right post, and front post ground sleeve with tape, or small bead of sealer. Do the same for the back pole and back pole ground sleeve. This will stop debris from entering ground sleeves during construction.



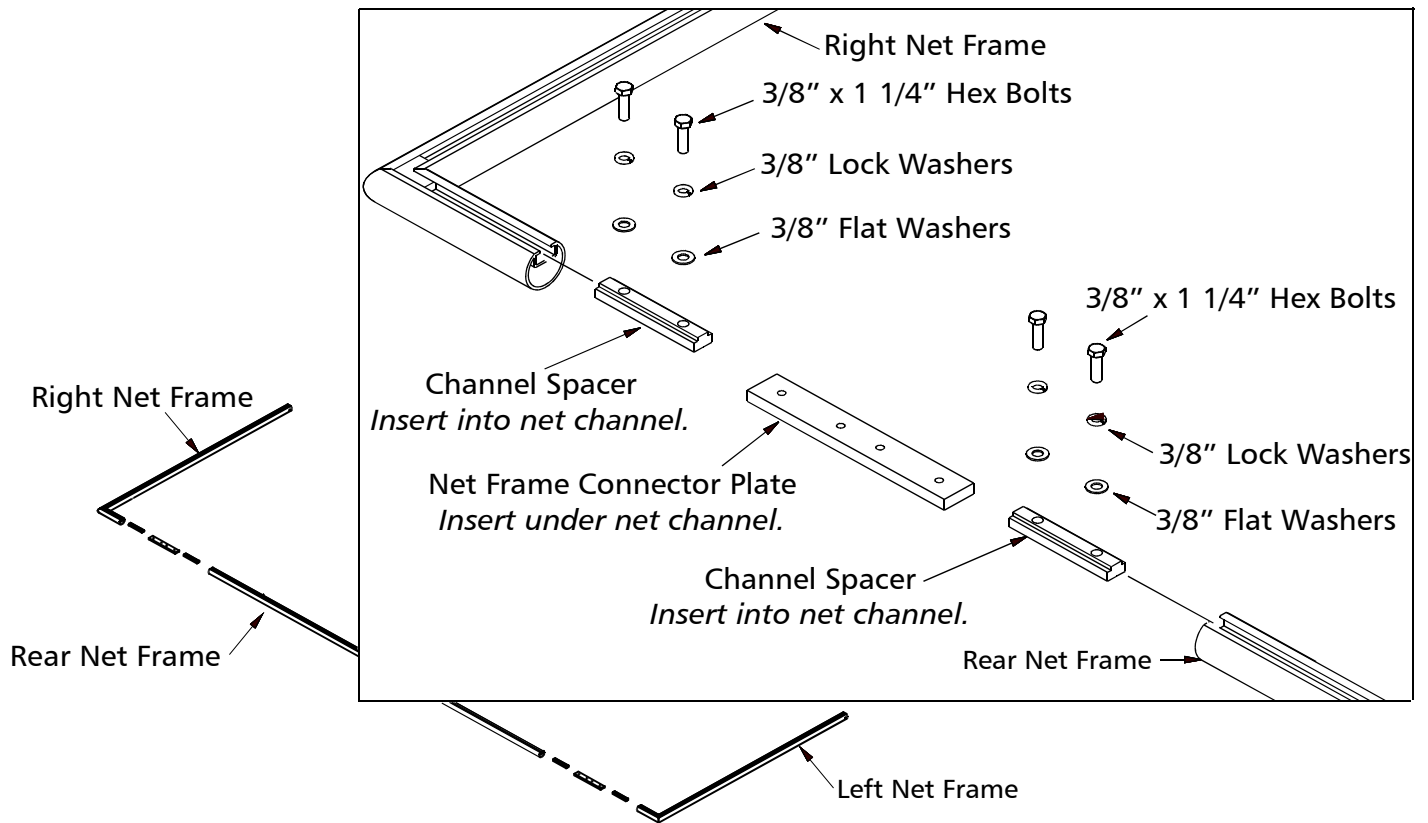
- Fill holes with concrete, flush to the top of ground sleeves. Be sure to level back poles before concrete begins to cure. After concrete has fully cured, see last page for test procedures to ensure the goal has been anchored properly.
- Attach net frame channel connector, to left post and right post, as shown.



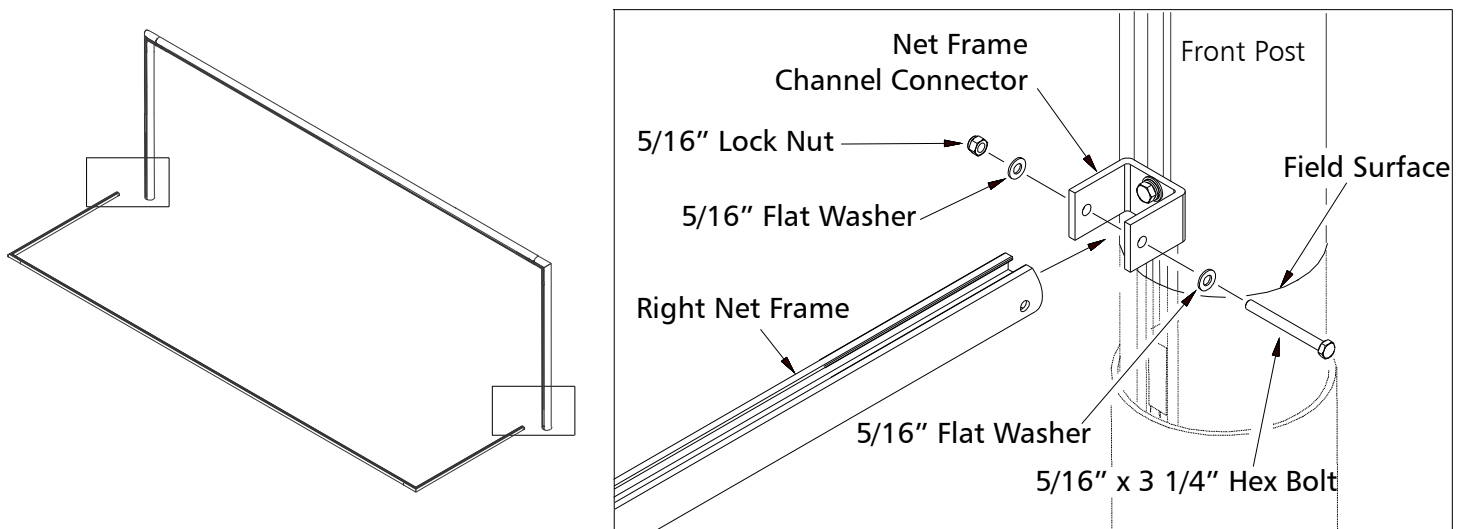
*****CAUTION*****

This goal has been designed to be used for the game of soccer only. Goal posts must be anchored AT ALL TIMES and shall be secured against tilting. Do not climb on the net or goal framework at anytime! All fastenings must be checked to insure they are fully tightened before and after each use of this product. Goal posts not in use must be disassembled and properly stored in a safe, secure area. (See Guidelines for Moveable Soccer Goal Safety, included.) Assembled goal posts should not be left unattended. Remove nets when goals are not in use. Do not use this equipment during the threat of high winds. Goal posts should be checked for safety before and after each use. All warning and safety labels included with this product must be visible at all times. Any modifications to this or any Kwik Goal product will void any and all warranties.

10. Assemble left net frame, right net frame, and rear net frame.



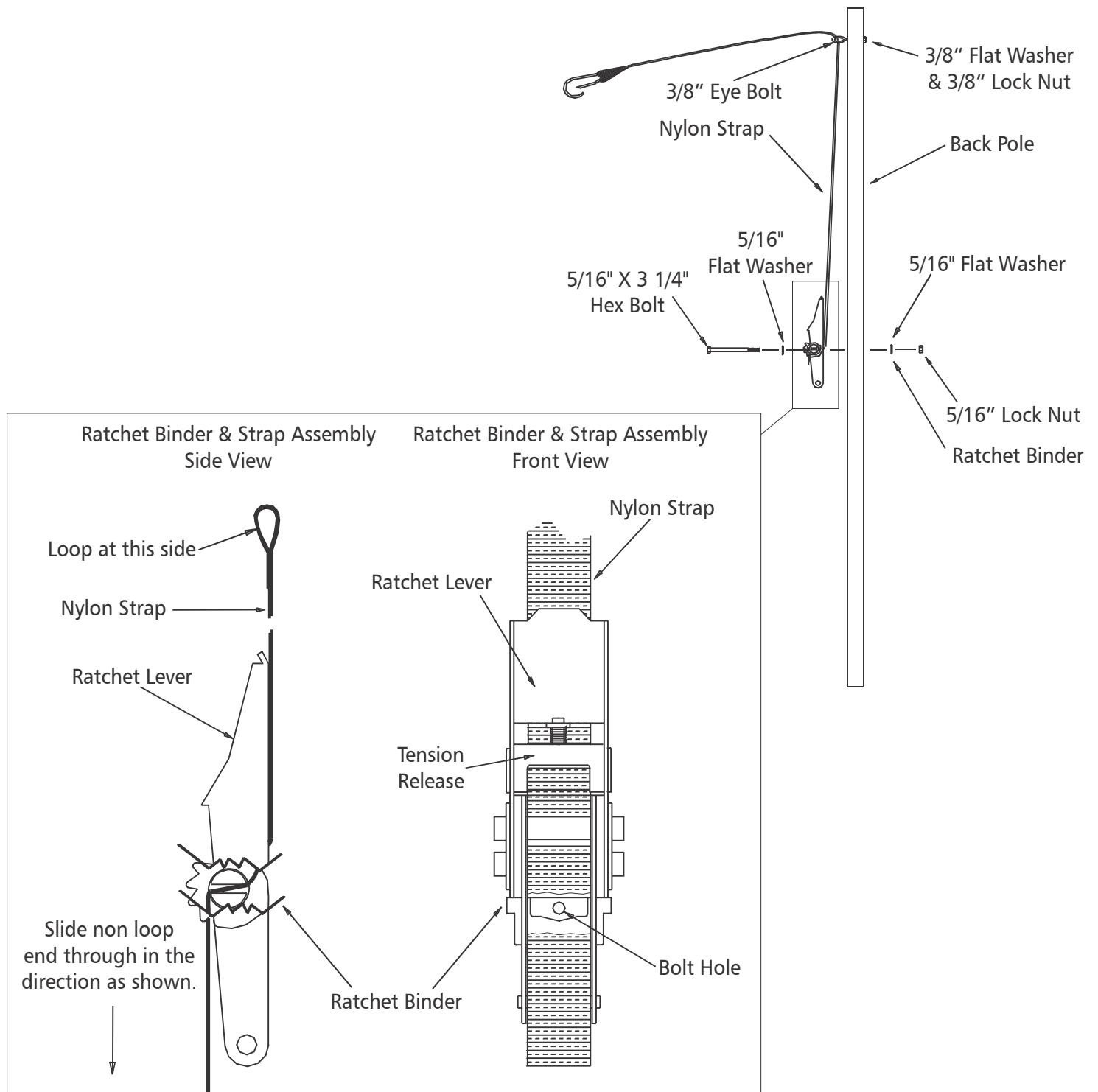
11. Attach assembled net frame to front posts of assembled goal, as shown.



*****CAUTION*****

This goal has been designed to be used for the game of soccer only. Goal posts must be anchored AT ALL TIMES and shall be secured against tilting. Do not climb on the net or goal framework at anytime! All fastenings must be checked to insure they are fully tightened before and after each use of this product. Goal posts not in use must be disassembled and properly stored in a safe, secure area. (See Guidelines for Moveable Soccer Goal Safety, included.) Assembled goal posts should not be left unattended. Remove nets when goals are not in use. Do not use this equipment during the threat of high winds. Goal posts should be checked for safety before and after each use. All warning and safety labels included with this product must be visible at all times. Any modifications to this or any Kwik Goal product will void any and all warranties.

12. Assemble back poles and net straps accordingly.

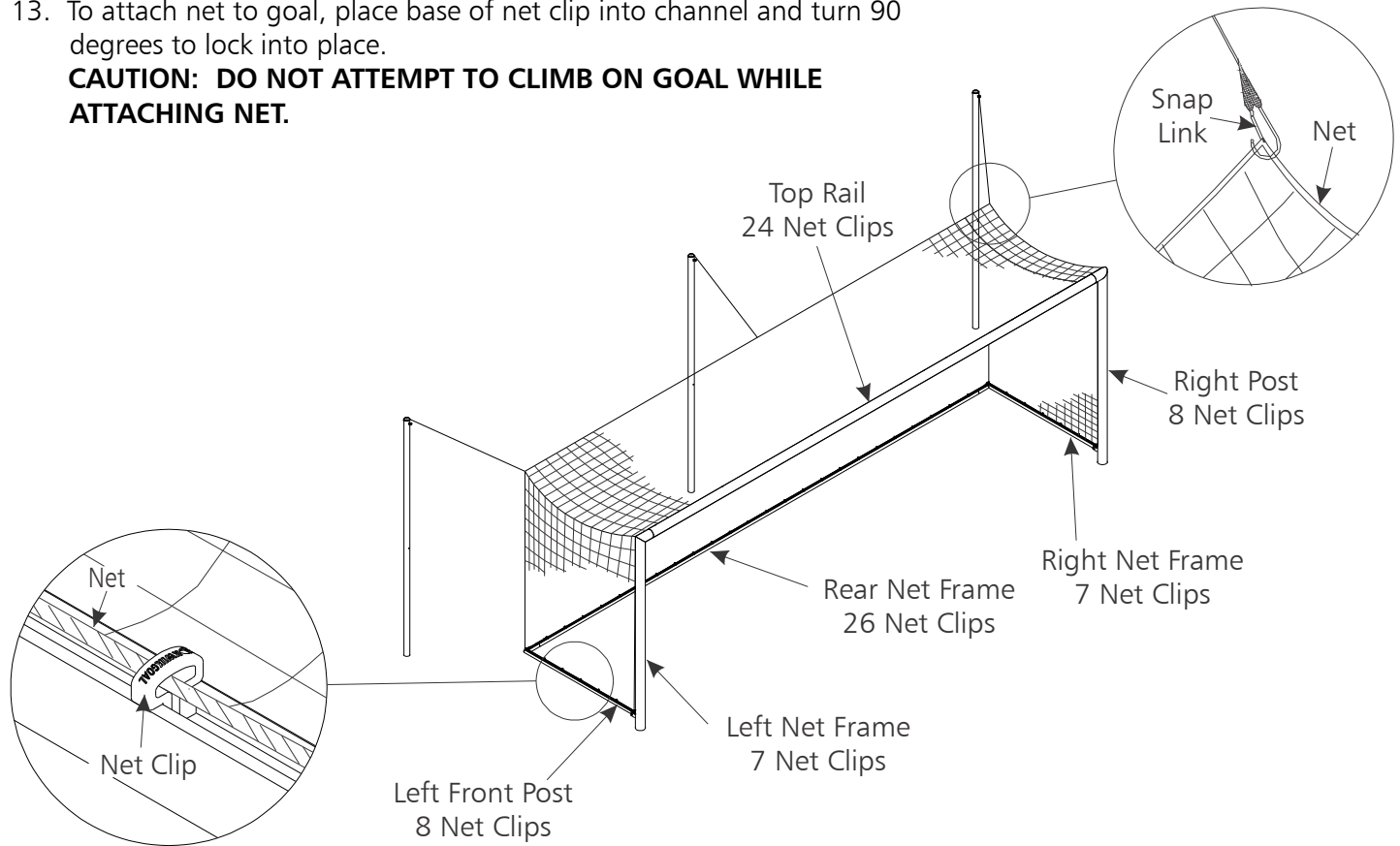


*****CAUTION*****

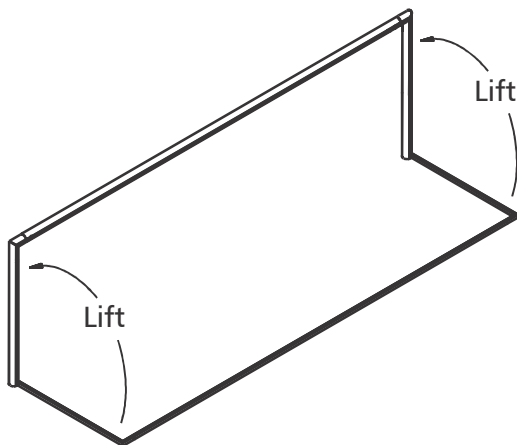
This goal has been designed to be used for the game of soccer only. Goal posts must be anchored AT ALL TIMES and shall be secured against tilting. Do not climb on the net or goal framework at anytime! All fastenings must be checked to insure they are fully tightened before and after each use of this product. Goal posts not in use must be disassembled and properly stored in a safe, secure area. (See Guidelines for Moveable Soccer Goal Safety, included.) Assembled goal posts should not be left unattended. Remove nets when goals are not in use. Do not use this equipment during the threat of high winds. Goal posts should be checked for safety before and after each use. All warning and safety labels included with this product must be visible at all times. Any modifications to this or any Kwik Goal product will void any and all warranties.

13. To attach net to goal, place base of net clip into channel and turn 90 degrees to lock into place.

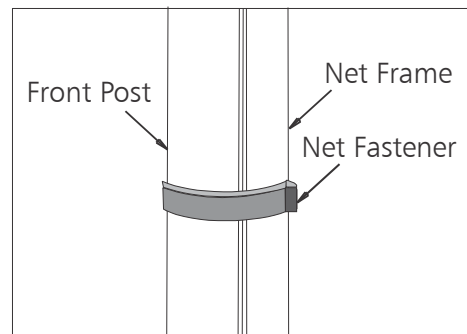
CAUTION: DO NOT ATTEMPT TO CLIMB ON GOAL WHILE ATTACHING NET.



14. To lift net frame up off field surface see below. Clear away all soil and debris from top of front post ground sleeves and back pole ground sleeves before removing goal. Be sure to put front post ground sleeve caps and back pole ground sleeve caps in all ground sleeve openings. Be sure to disassemble and store goal in a safe place to prevent injury. Repeat for back pole removal. **See GUIDELINES FOR MOVEABLE SOCCER GOALS, included for proper storage procedures.**



NOTE: Attach net frame to front post of goal with net fastener. Be sure to cut pieces long enough to allow a 2" over lap.



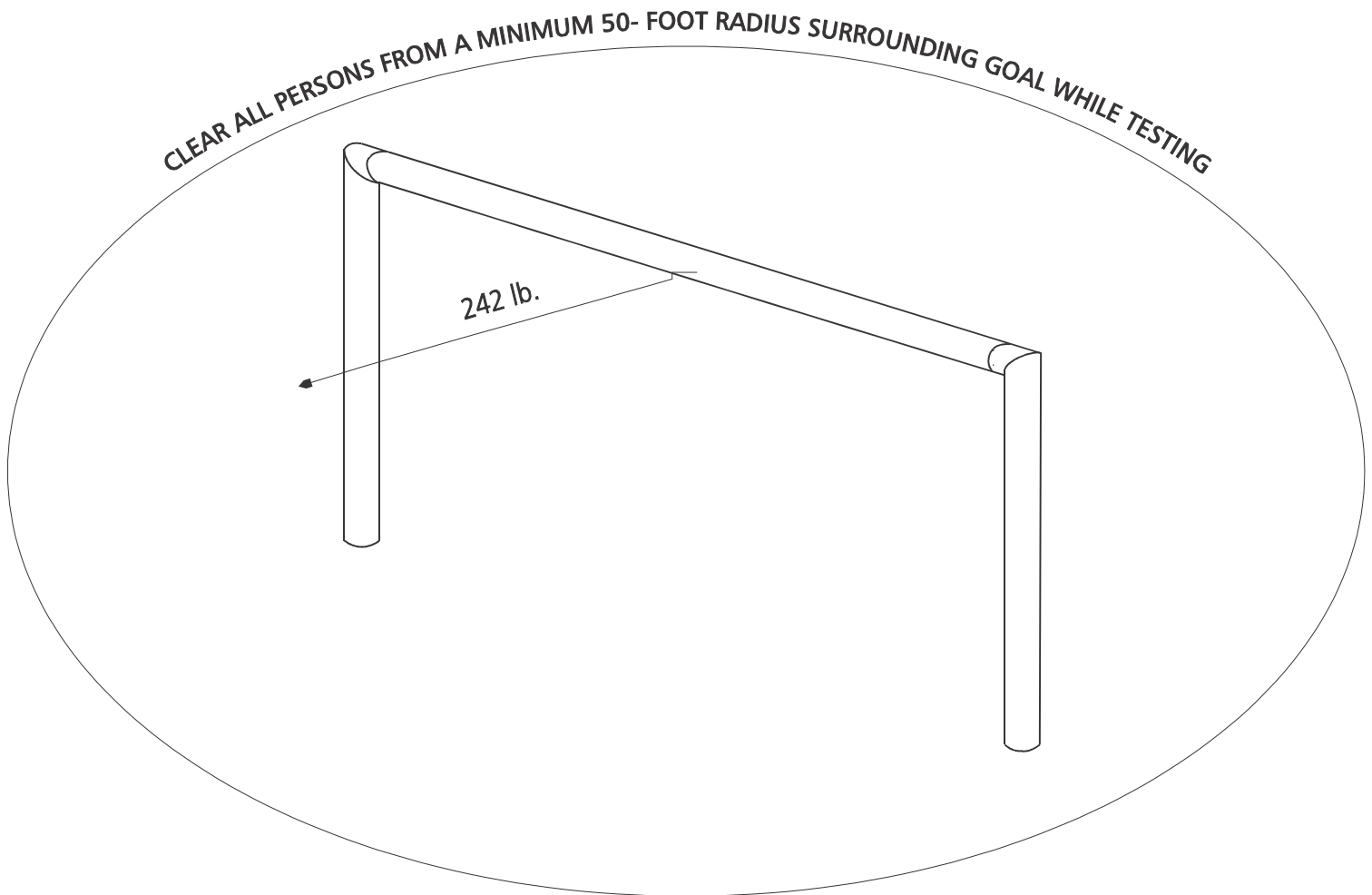
*****CAUTION*****

This goal has been designed to be used for the game of soccer only. Goal posts must be anchored AT ALL TIMES and shall be secured against tilting. Do not climb on the net or goal framework at anytime! All fastenings must be checked to insure they are fully tightened before and after each use of this product. Goal posts not in use must be disassembled and properly stored in a safe, secure area. (See Guidelines for Moveable Soccer Goal Safety, included.) Assembled goal posts should not be left unattended. Remove nets when goals are not in use. Do not use this equipment during the threat of high winds. Goal posts should be checked for safety before and after each use. All warning and safety labels included with this product must be visible at all times. Any modifications to this or any Kwik Goal product will void any and all warranties.

After installing the type of anchoring system chosen to secure goal to field surface:

1. Clear all persons from a minimum 50-foot radius surrounding the goal during testing.
2. Standing in front of goal, apply a horizontal pull force of 242 lbs. in the center or the top rail for 60 seconds (+/- 10 seconds). Full safety precautions must be taken while performing test.
3. Determine if unit tilts or does not return to its original position.
4. If unit tilts or does not return to its original position, use alternate anchoring system.

ANCHORING TEST



CAUTION

This goal has been designed to be used for the game of soccer only. Goal posts must be anchored **AT ALL TIMES** and shall be secured against tilting. Do not climb on the net or goal framework at anytime! All fastenings must be checked to insure they are fully tightened before and after each use of this product. Goal posts not in use must be disassembled and properly stored in a safe, secure area. (See Guidelines for Moveable Soccer Goal Safety, included.) Assembled goal posts should not be left unattended. Remove nets when goals are not in use. Do not use this equipment during the threat of high winds. Goal posts should be checked for safety before and after each use. All warning and safety labels included with this product must be visible at all times. Any modifications to this or any Kwik Goal product will void any and all warranties.