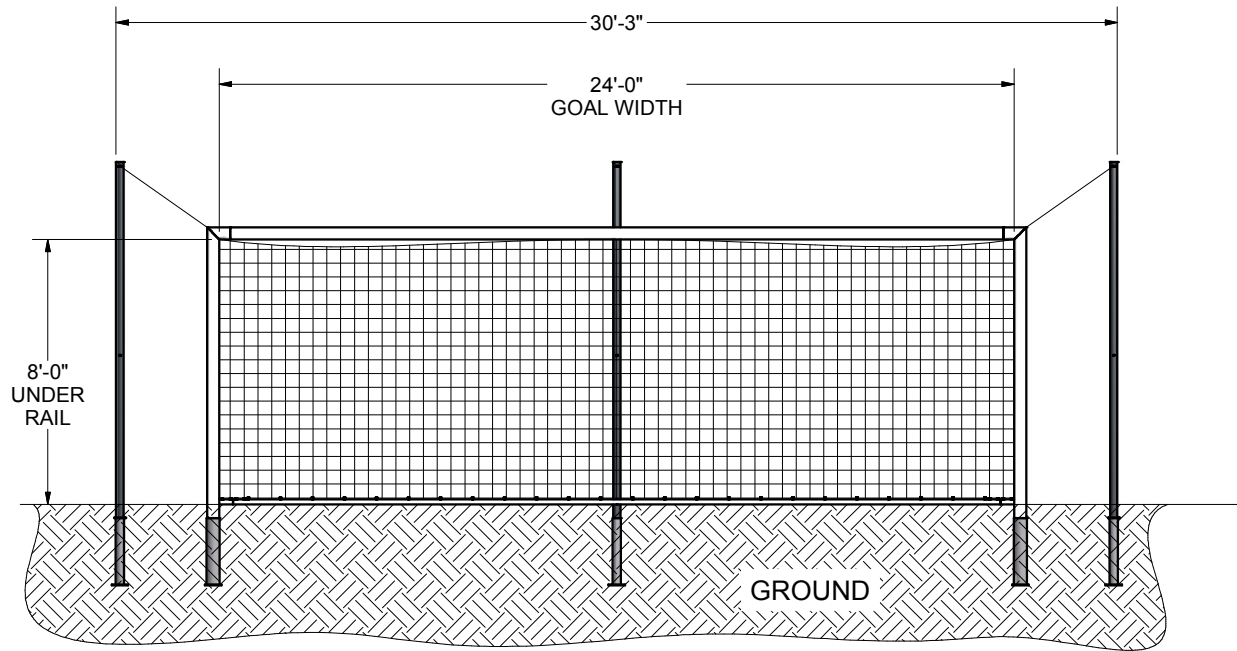
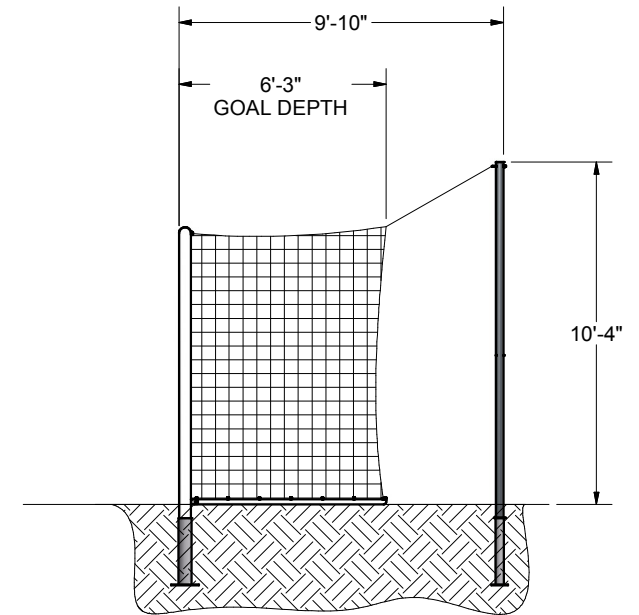


FRONT VIEW



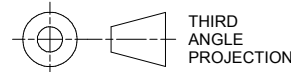
SIDE VIEW



FEATURES:

- 1) ALUMINUM POSTS, RAIL, GROUND FRAME, AND BACK POLES
- 2) FINISH:  
 GOAL FRAME - WHITE POWDER COAT  
 BACK POLES - BLACK POWDER COAT
- 3) NET AND AND CLIPS INCLUDED
- 4) FULL GROUND FRAME HOLDS NET ON GROUND DURING PLAY  
 AND HINGES ALLOW NET TO BE RAISED FOR MAINTENANCE
- 5) GROUND SLEEVES FOR POSTS AND BACK POLES INCLUDED
- 6) ASSEMBLED WEIGHT:  
 GOAL: 155 LBS.  
 BACK POLES: 17 LBS. EACH
- 7) EXCEEDS:  
 NCAA SPECIFICATIONS  
 NFSHA SPECIFICATIONS  
 ASTM F2056-00 STANDARDS

**Finish Info.**



THIRD  
ANGLE  
PROJECTION

**KWIKGOAL**® 140 Pacific Drive  
Quakertown,  
Pa. 18951

DIMENSIONS ARE IN INCHES  
UNLESS OTHERWISE SPECIFIED

This item is the **exclusive**  
property of **KWIK GOAL LTD.**  
Reproduction or duplication  
**without** the express written  
consent of **KWIK GOAL LTD.**  
is **strictly forbidden.**

Approved By:

Date:

Drawn By: cspeck

Date: 8/16/2004

Sheet: 1 of 4

Revision #: 1

Cad File: 2B8.idw

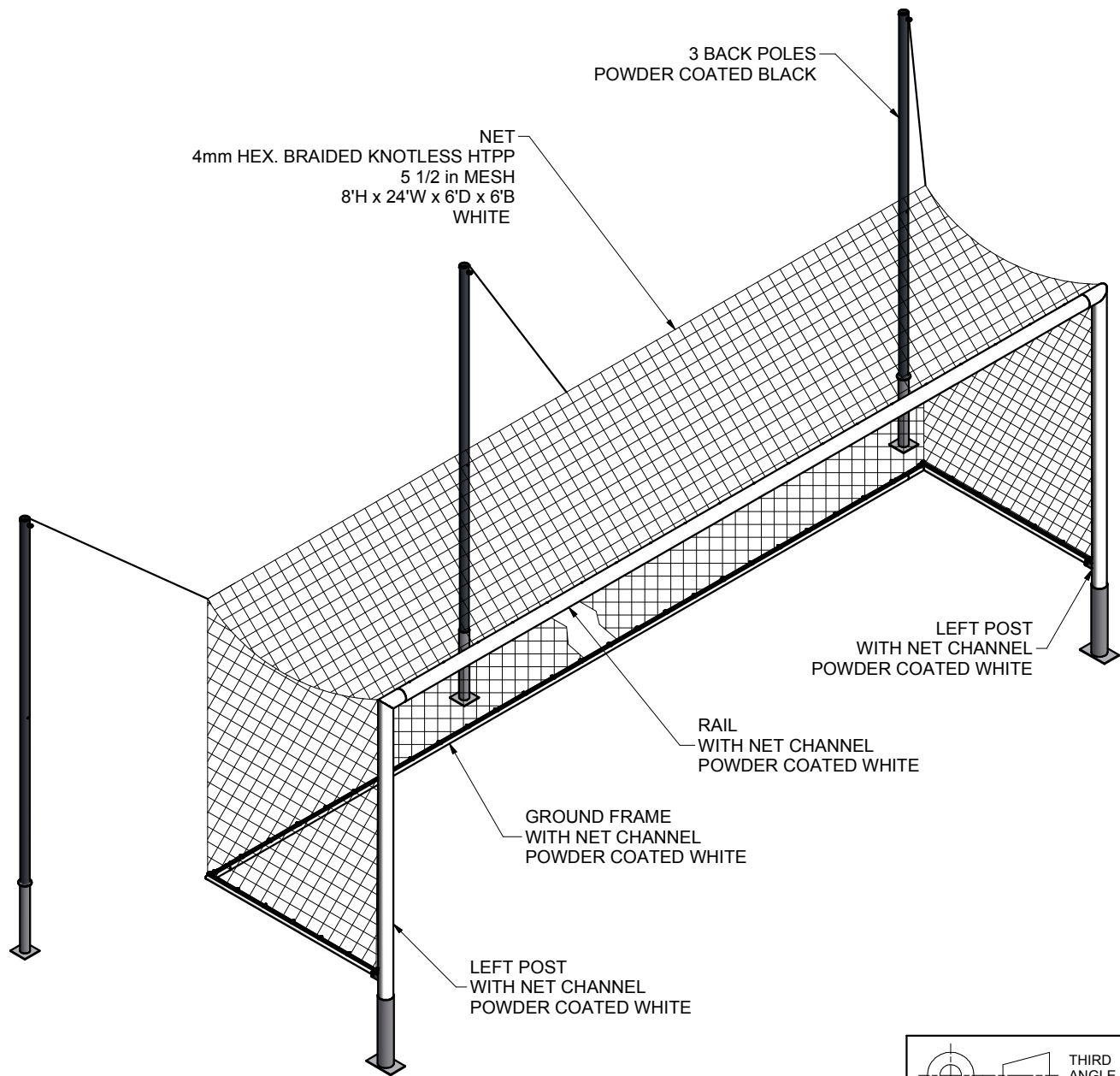
Part #:

**2B8**

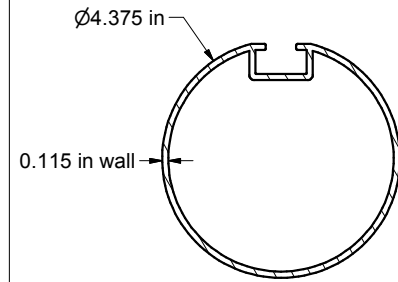
Desc:

8' X 24' PRO PREMIER  
WORLD COMPETITION  
GOAL WITH NET FRAME

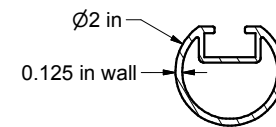




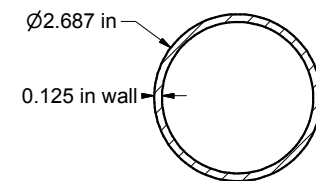
### MATERIAL DETAILS



POSTS AND RAIL  
MATERIAL - ALUMINUM

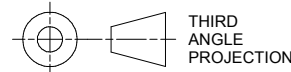


GROUND FRAME  
MATERIAL - ALUMINUM



BACK POLES  
MATERIAL - ALUMINUM

**Finish Info.**



THIRD  
ANGLE  
PROJECTION

**KWIKGOAL**® 140 Pacific Drive  
Quakertown,  
Pa. 18951

DIMENSIONS ARE IN INCHES  
UNLESS OTHERWISE SPECIFIED

Approved By:

Part #:

Date:

**2B8**

Drawn By: cspeck

Date: 8/16/2004

Desc:

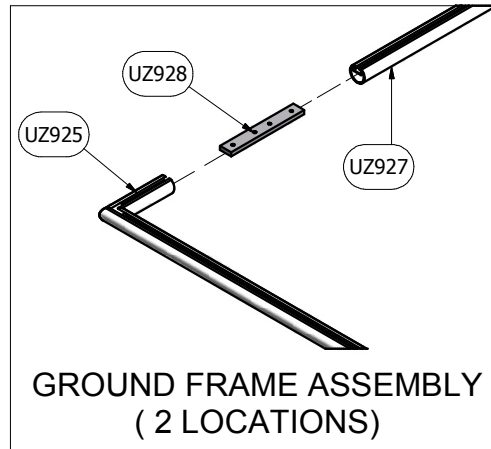
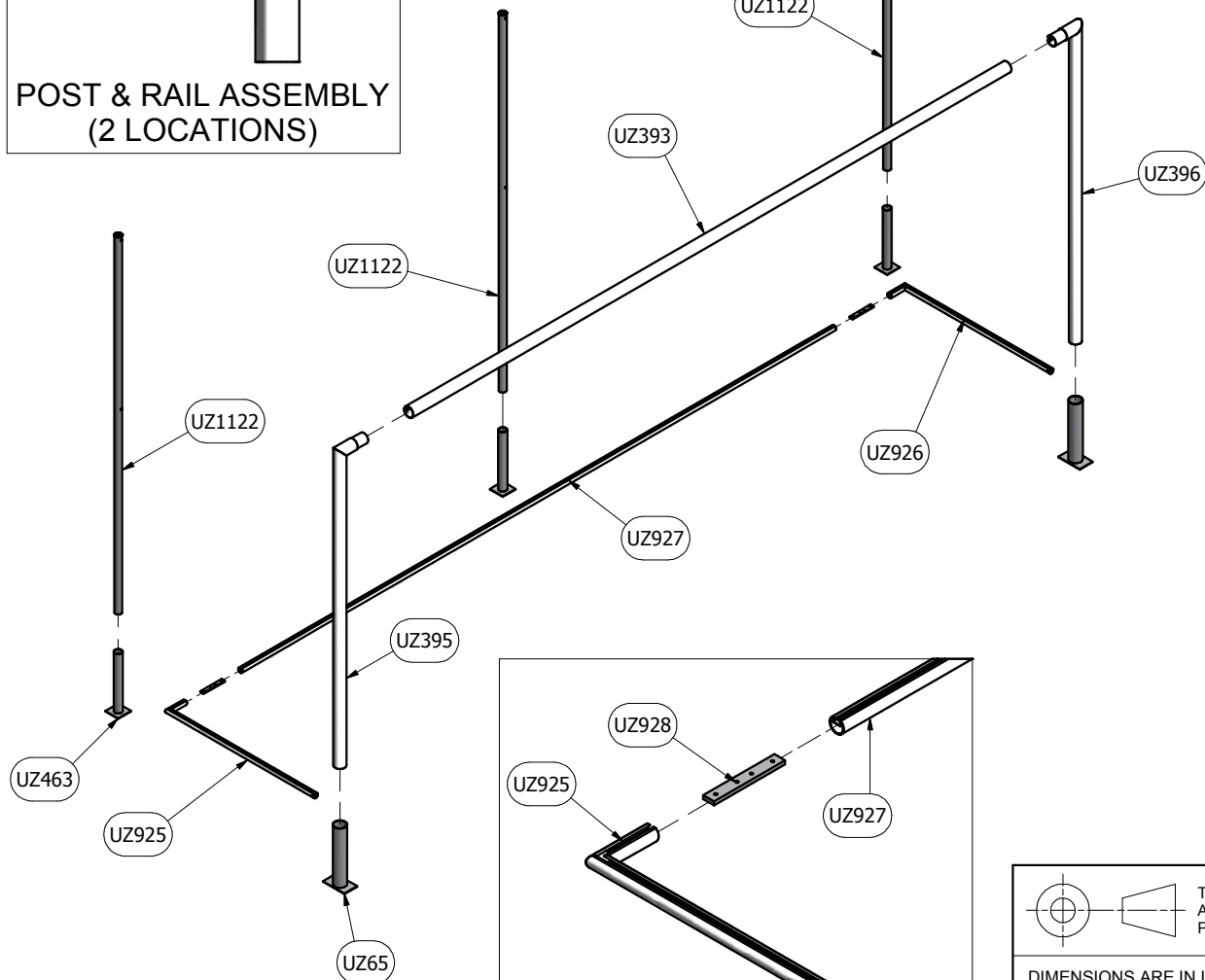
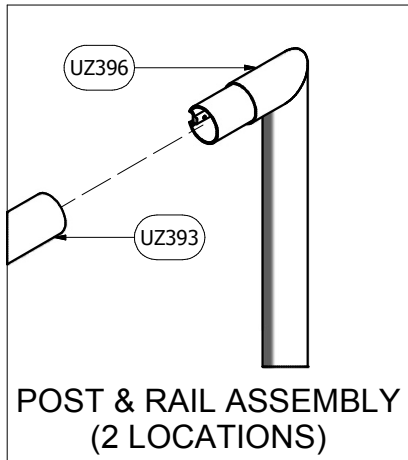
Sheet: 3 of 4

Revision #: 1

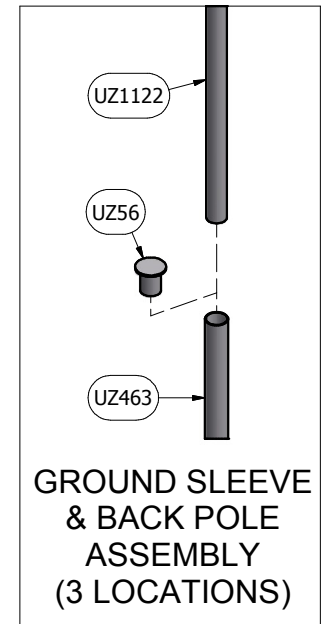
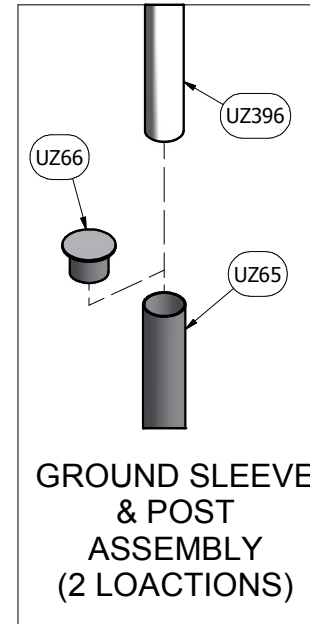
8' X 24' PRO PREMIER  
WORLD COMPETITION  
GOAL WITH NET FRAME

Cad File: 2B8.idw

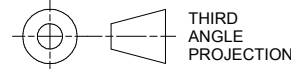
This item is the **exclusive**  
property of **KWIK GOAL LTD.**  
Reproduction or duplication  
**without** the express written  
consent of **KWIK GOAL LTD.**  
is **strictly forbidden.**



Parts List		
Part #	Qty	Description
UZ65	2	GROUND SLEEVE
UZ66	2	GROUND SLEEVE CAP
UZ393	1	RAIL
UZ1122	3	2B8 BACK POLE
UZ396	1	RIGHT POST, 2B8
UZ395	1	LEFT POST, 2B8
UZ463	3	GROUND SLEEVE
UZ56	3	GROUND SLEEVE CAP
UZ925	1	LEFT BASE, 10B3301
UZ926	1	RIGHT BASE, 10B3301
UZ928	2	TUBE CONNECTOR PLATE
UZ927	1	REAR TUBE, 10B3301
3B1521	1	NET, 4MM ROPE, 5-1/2" MESH



**Finish Info.**



DIMENSIONS ARE IN INCHES UNLESS OTHERWISE SPECIFIED

This item is the **exclusive** property of **KWIK GOAL LTD.** Reproduction or duplication **without** the express written consent of **KWIK GOAL LTD.** is **strictly forbidden.**



Approved By:  
Date:  
Drawn By: cspeck  
Date: 8/16/2004  
Sheet: 4 of 4  
Revision #: 1  
Cad File: 2B8.idw

Part #:  
**2B8**  
Desc:  
8' X 24' PRO PREMIER  
WORLD COMPETITION  
GOAL WITH NET FRAME