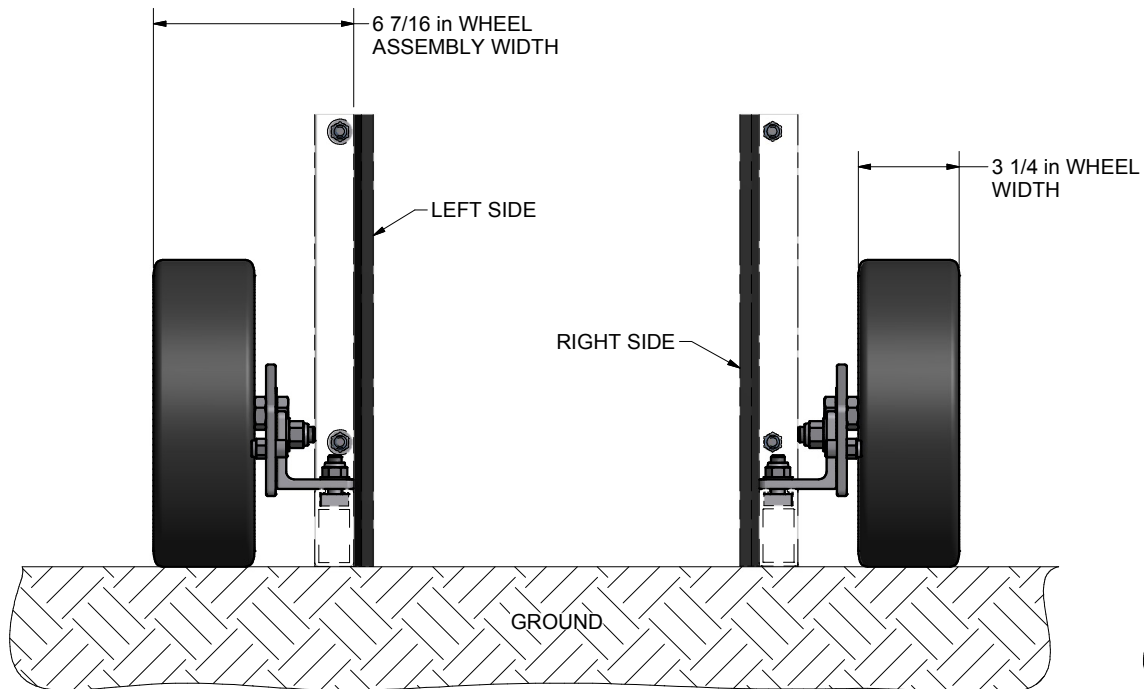
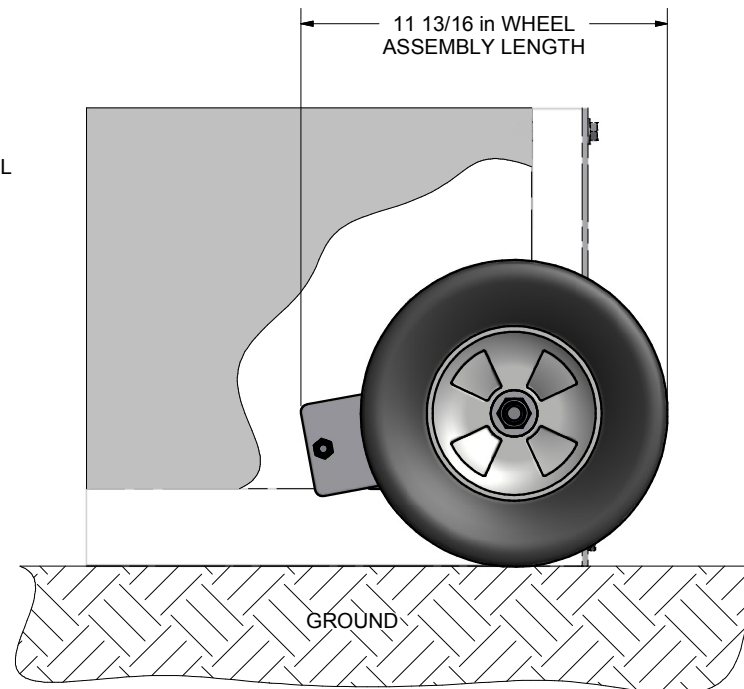


FRONT VIEW



SIDE VIEW

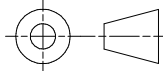



NOTE:
GOAL FRAME SHOWN, BUT **NOT** SUPPLIED

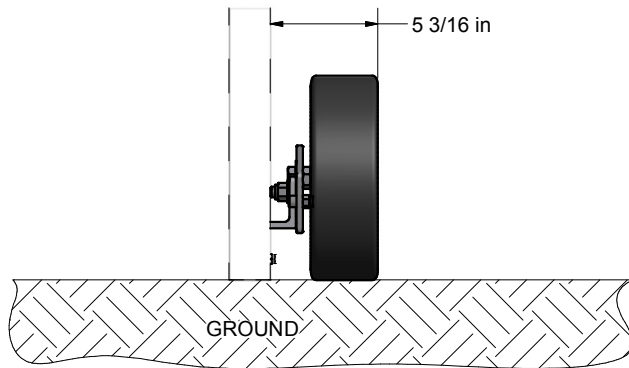
FEATURES:

- 1) 2 ROTATING WHEEL ASSEMBLIES TO LIFT GOAL FRAME FOR EASY MOVABILITY
- 2) INCLUDES:
RELIANCE TURF PRO NO-FLAT TIRES
ROTATING STEEL MOUNTING BRACKET
- 3) TOTAL WEIGHT: 22lbs PER SET

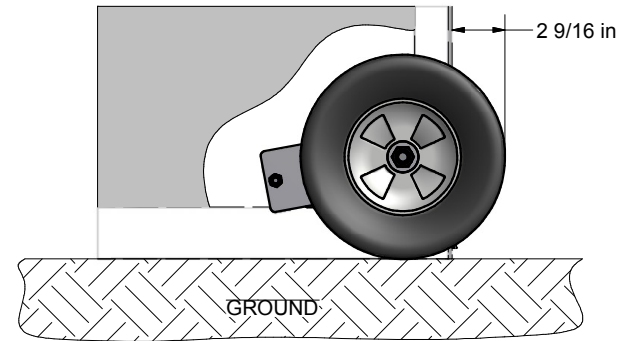
Finish Info.

 <p>THIRD ANGLE PROJECTION</p>	 <p>140 Pacific Drive Quakertown, Pa. 18951</p>	
	<p>DIMENSIONS ARE IN INCHES UNLESS OTHERWISE SPECIFIED</p>	<p>Approved By:</p> <p>Date:</p>
<p>This item is the exclusive property of KWIK GOAL LTD. Reproduction or duplication without the express written consent of KWIK GOAL LTD. is strictly forbidden.</p>	<p>Drawn By: KFRisch</p> <p>Date: 12/14/2010</p>	<p>Desc:</p> <p>WHEEL OPTION - EURO CLUB GOALS</p>
	<p>Sheet: 1 of 3</p> <p>Revision #: -</p>	
	<p>Cad File: 10B404.idw</p>	

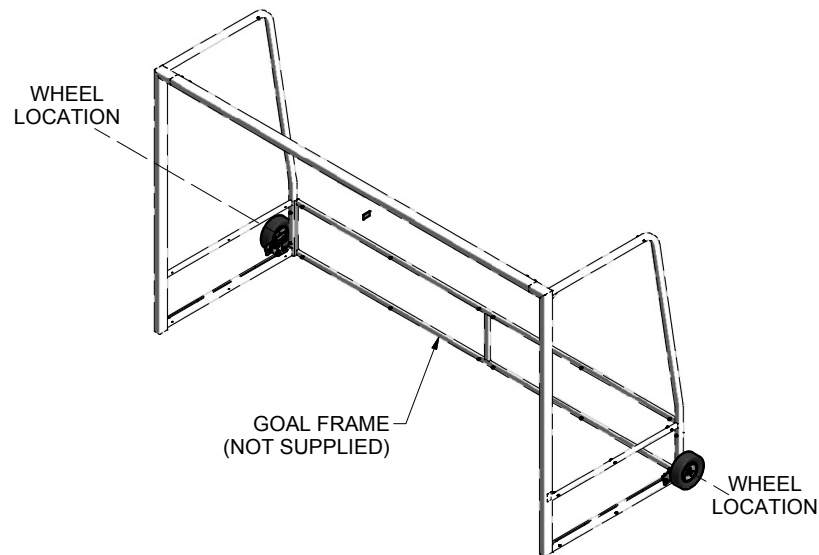
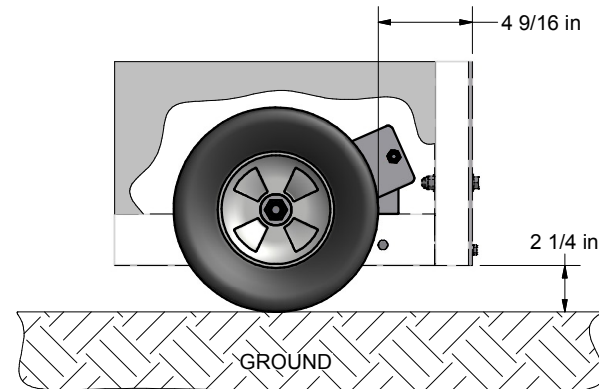
FRONT VIEW



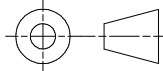

SIDE VIEW
(GOAL FRAME ON TURF)



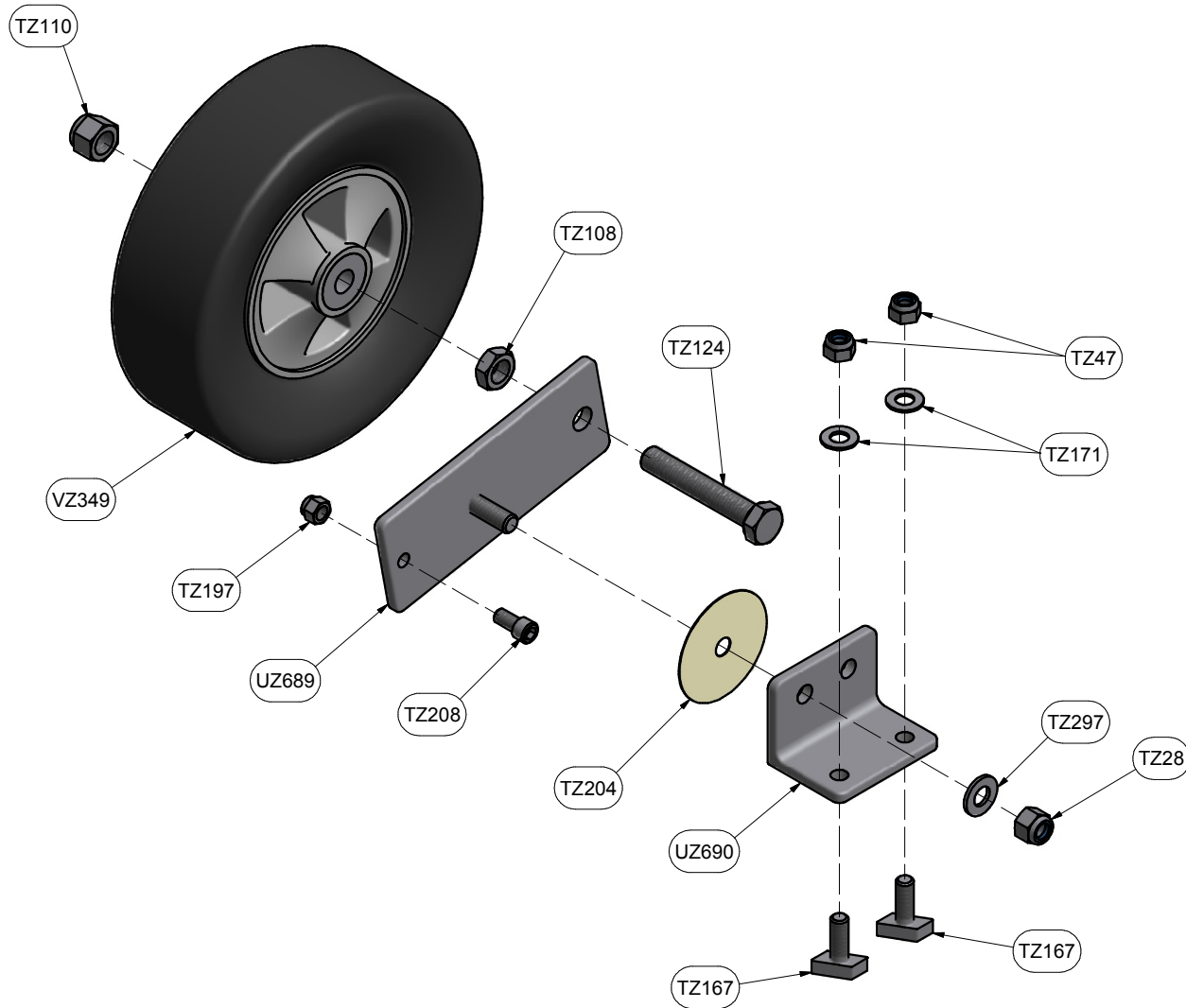
SIDE VIEW
(GOAL FRAME ON WHEELS)



NOTE:
GOAL FRAME SHOWN, BUT **NOT** SUPPLIED

 THIRD ANGLE PROJECTION	 140 Pacific Drive Quakertown, Pa. 18951	
	DIMENSIONS ARE IN INCHES UNLESS OTHERWISE SPECIFIED	Approved By: Date:
This item is the exclusive property of KWIK GOAL LTD. Reproduction or duplication without the express written consent of KWIK GOAL LTD. is strictly forbidden.	Drawn By: KFrish	Desc: WHEEL OPTION - EURO CLUB GOALS
	Date: 12/14/2010	
	Sheet: 2 of 3	
	Revision #: -	
Cad File: 10B404.idw		

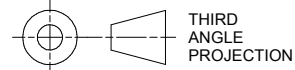
Finish Info.



Parts List		
Part #	Qty	Description
UZ690	2	MOUNTING BRACKET
UZ689	2	Stop Plate, 10B402, 10B404
VZ349	2	FLAT PROOF TIRE
TZ204	2	1/2 Flat Washer
TZ108	2	5/8-11 Hex Jam Nut
TZ110	2	5/8-11 Lock Nut
TZ124	2	5/8-11 x 3 3/4 Hex Bolt
TZ167	4	7/16-14 X 1-1/4 T-Head Bolt
TZ171	4	7/16 Flat Washer
TZ197	2	3/8-16 Lock Nut
TZ208	2	3/8-16 x 3/4 Soc Hd Cap Scr
TZ28	2	1/2-13 Lock Nut
TZ297	2	1/2 Flat Washer, SAE
TZ47	4	7/16-14 Lock Nut

NOTE:
LEFT HAND SHOWN - FOR COMPLETE ASSEMBLY
SEE INSTRUCTIONS.

Finish Info.



THIRD
ANGLE
PROJECTION



DIMENSIONS ARE IN INCHES
UNLESS OTHERWISE SPECIFIED

This item is the **exclusive**
property of **KWIK GOAL LTD.**
Reproduction or duplication
without the express written
consent of **KWIK GOAL LTD.**
is **strictly forbidden.**

Approved By:
Date:
Drawn By: KFRisch
Date: 12/14/2010
Sheet: 3 of 3
Revision #: -
Cad File: 10B404.idw

Part #:
10B404
Desc:
WHEEL OPTION - EURO
CLUB GOALS