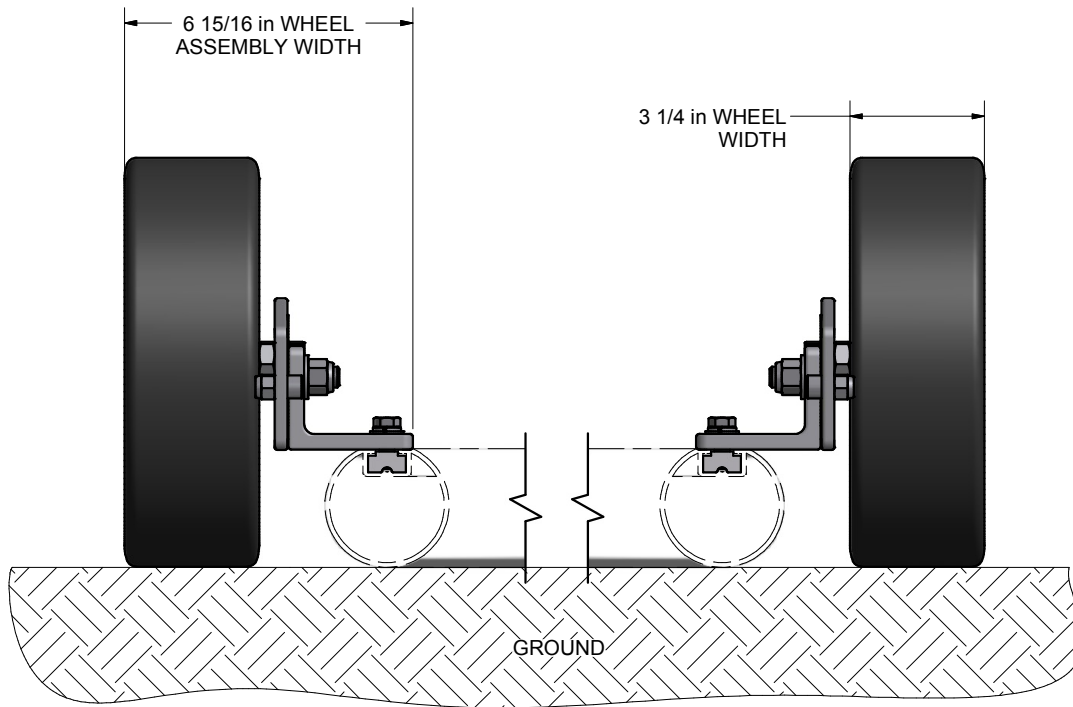
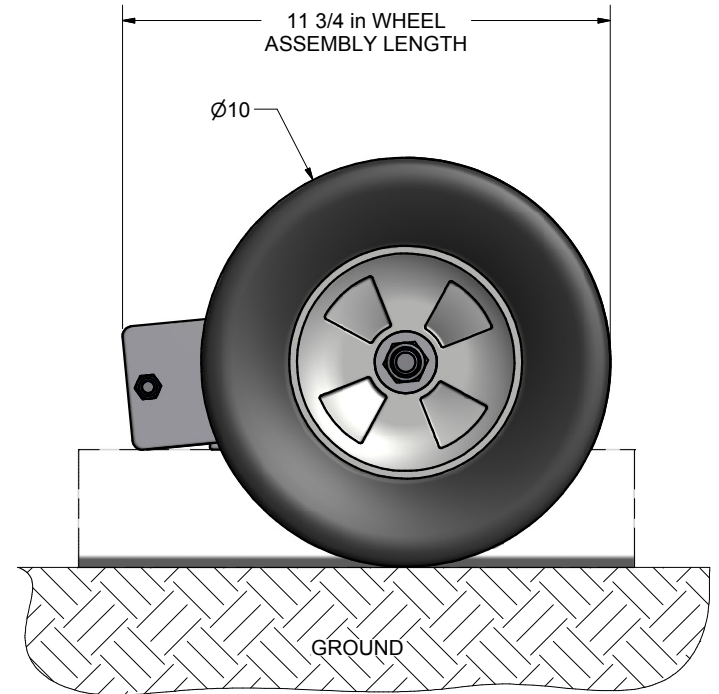


FRONT VIEW



SIDE VIEW

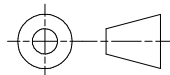



NOTE:  
GOAL FRAME SHOWN, BUT **NOT** SUPPLIED

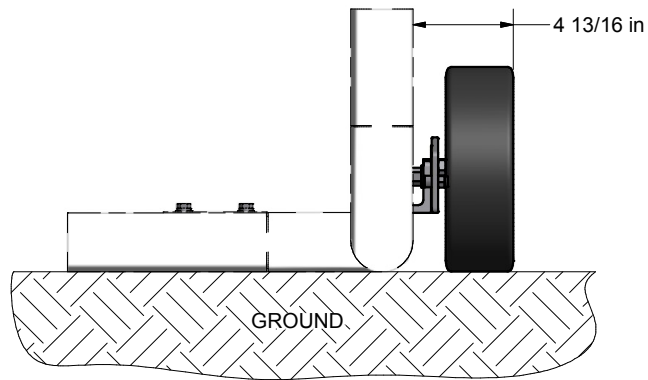
FEATURES:

- 1) 2 ROTATING WHEEL ASSEMBLIES TO LIFT GOAL FRAME FOR EASY MOVABILITY
- 2) INCLUDES:  
RELIANCE TURF PRO NO-FLAT TIRES  
ROTATING STEEL MOUNTING BRACKET
- 3) TOTAL WEIGHT: 22lbs PER SET

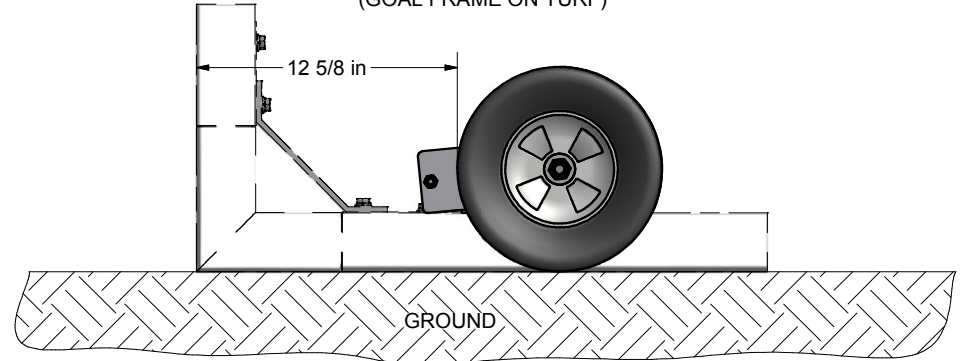
**Finish Info.**

 <p>THIRD ANGLE PROJECTION</p>	 <p>140 Pacific Drive Quakertown, Pa. 18951</p>	
	<p>DIMENSIONS ARE IN INCHES UNLESS OTHERWISE SPECIFIED</p> <p>This item is the <b>exclusive</b> property of <b>KWIK GOAL LTD.</b> Reproduction or duplication <b>without</b> the express written consent of <b>KWIK GOAL LTD.</b> is <b>strictly forbidden.</b></p>	<p>Approved By:</p> <p>Date:</p> <p>Drawn By: BRush</p> <p>Date: 9/21/2005</p> <p>Sheet: 1 of 3</p> <p>Revision #:</p> <p>Cad File: 10B407.idw</p>

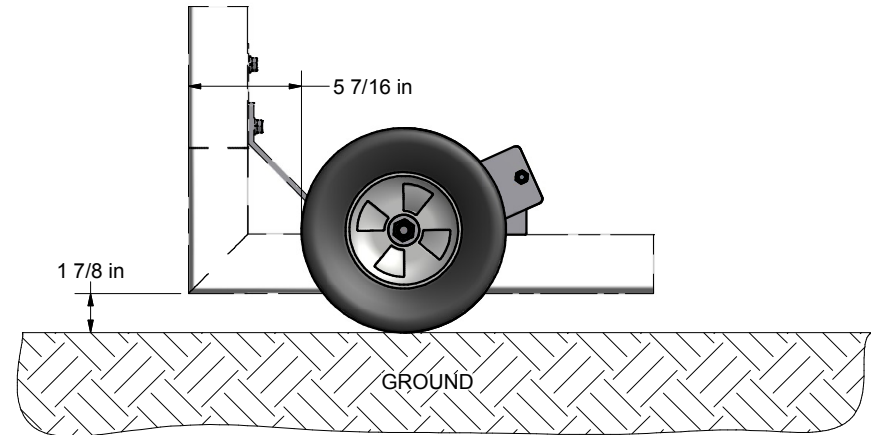
FRONT VIEW



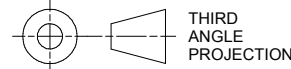
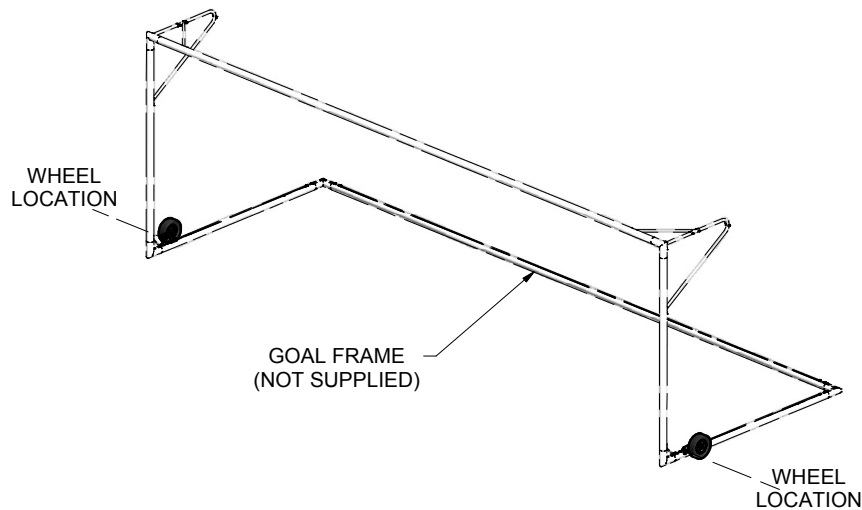
SIDE VIEW  
(GOAL FRAME ON TURF)



SIDE VIEW  
(GOAL FRAME ON WHEELS)



NOTE:  
GOAL FRAME SHOWN, BUT **NOT** SUPPLIED



THIRD  
ANGLE  
PROJECTION

**KWIKGOAL**® 140 Pacific Drive  
Quakertown,  
Pa. 18951

DIMENSIONS ARE IN INCHES  
UNLESS OTHERWISE SPECIFIED

This item is the **exclusive**  
property of **KWIK GOAL LTD.**  
Reproduction or duplication  
**without** the express written  
consent of **KWIK GOAL LTD.**  
is **strictly forbidden.**

Approved By:

Date:

Drawn By: BRush

Date: 9/21/2005

Sheet: 2 of 3

Revision #:

Cad File: 10B407.idw

Part #:

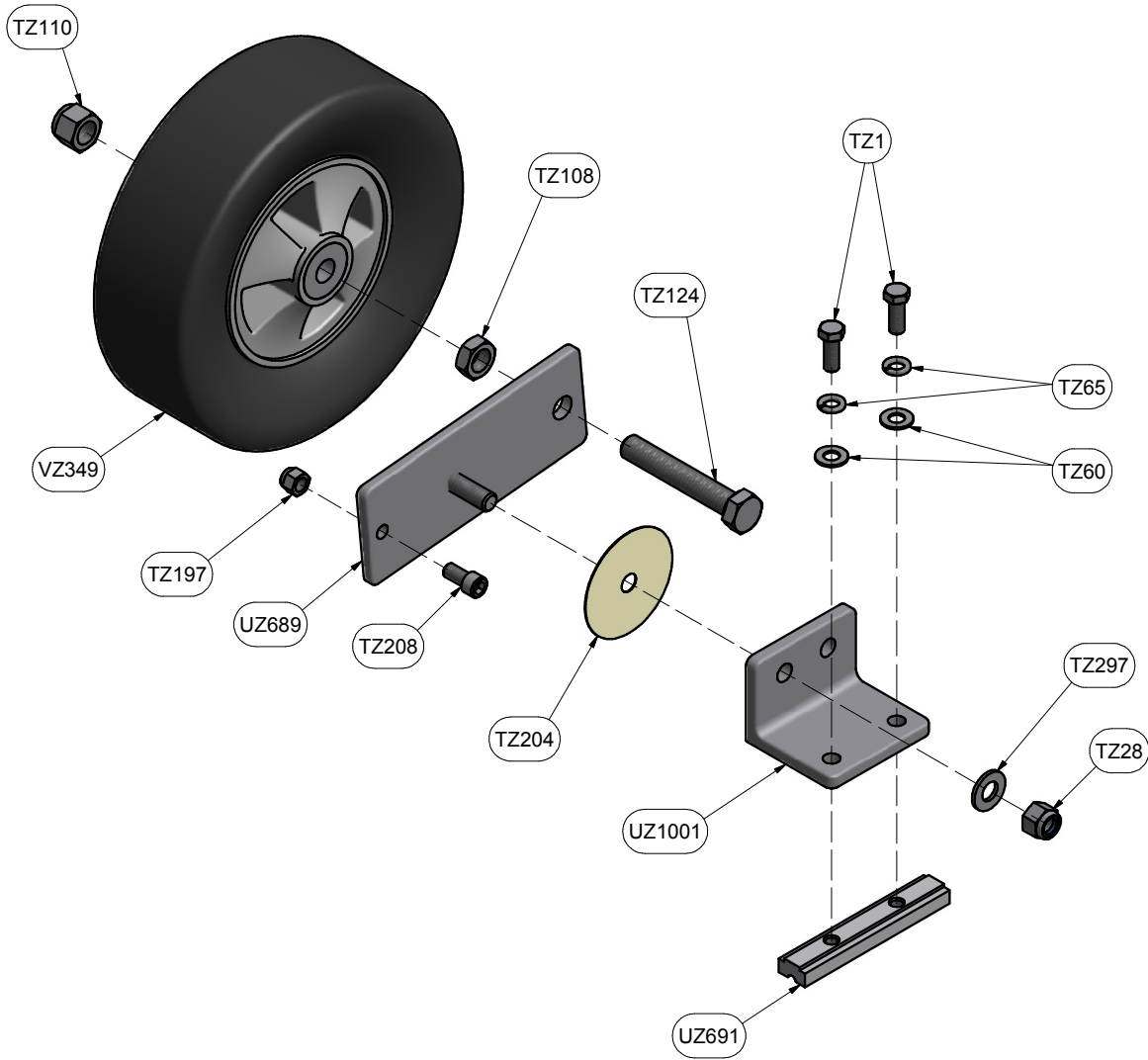
**10B407**

Desc:

WHEEL OPTION, DELUXE  
EUROPEAN CLUB GOALS

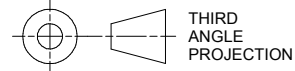
Finish Info.

Parts List		
Part #	Qty	Description
UZ689	2	STOP PLATE, 10B402, 10B404
UZ691	2	THREADED CHANNEL SPACER
UZ1001	2	MOUNTING BRACKET
VZ349	2	FLAT PROOF TIRE
TZ1	4	3/8-16 x 1 Hex Bolt
TZ28	2	1/2-13 Lock Nut
TZ60	4	3/8 Flat Washer
TZ65	4	3/8 Lock Washer
TZ108	2	5/8-11 Hex Jam Nut
TZ110	2	5/8-11 Lock Nut
TZ124	2	5/8-11 x 3 3/4 Hex Bolt
TZ197	2	3/8-16 Lock Nut
TZ204	2	1/2 Flat Washer
TZ208	2	3/8-16 x 3/4 Soc Hd Cap Scr
TZ297	2	1/2 Flat Washer, SAE



NOTE:  
LEFT HAND SHOWN - FOR COMPLETE ASSEMBLY  
SEE INSTRUCTIONS.

**Finish Info.**



THIRD  
ANGLE  
PROJECTION

**KWIKGOAL**® 140 Pacific Drive  
Quakertown,  
Pa. 18951

DIMENSIONS ARE IN INCHES  
UNLESS OTHERWISE SPECIFIED

This item is the **exclusive**  
property of **KWIK GOAL LTD.**  
Reproduction or duplication  
**without** the express written  
consent of **KWIK GOAL LTD.**  
is **strictly forbidden.**

Approved By:  
Date:  
Drawn By: BRush  
Date: 9/21/2005  
Sheet: 3 of 3  
Revision #:  
Cad File: 10B407.idw

Part #:  
**10B407**  
Desc:  
WHEEL OPTION, DELUXE  
EUROPEAN CLUB GOALS