



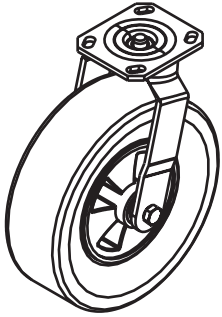
**ASSEMBLY INSTRUCTIONS FOR**  
**10B408 PRO PREMIER EUROPEAN MATCH PLAY GOAL SWIVEL WHEELS**

1. Unpack all parts and check for damage that may have occurred during shipping. If damage has occurred, notify trucking company immediately. Lay out all parts. Remove all cardboard and packaging immediately. Wet or damp packaging may damage contents.
2. Attach tire to tire mount. Assemble tire lock and tire stop as shown in figure 1. **NOTE: Be sure to coat threads on all bolts with anti-seize compound before fastening.**
3. For assembled 2B2001 goal, with two persons remove right and left front post from bases and lay goal front assembly on turf. See figure 2.
4. Slide tire stop into bases and tighten socket head bolt at location shown in figure 4. Put tire mount assemblies and tire lock onto bases of goal at this time, and attach goal front to bases. **REPLACE ANY WORN OR DAMAGED HARDWARE AT THIS TIME. TIGHTEN HEX AND SOCKET HEAD BOLTS ON BRACE AND POST.**
5. To move goal, slide tire mount assemblies against appropriate tire stop. Raise goal and rotate tire mount assembly on base, slide tire lock into place. Tighten lock knob to hold tire lock in place. See figure 5. **Note: Tire mounts must be tight against tire stops in order for tire locks to be effective. (Caution: Do not over-tighten socket bolts and knob. Over-tightening may cause damage to the net channel.)**
6. Immediately after moving goal, rest goal on bases. Loosen lock knob and slide tire lock away from tire mount. Rotate tire mount assembly in upright position. Slide tire lock into slot and tighten lock knob to hold in place. See figure 6. **Caution: Do not over-tighten socket bolts and knob. Over-tightening may cause damage to the net channel.**

**CAUTION: GOALS MUST BE PROPERLY ANCHORED OR STORED AT ALL TIMES. TIRE MOUNTS MUST BE RETURNED TO UPRIGHT POSITION (FIGURE 5) IMMEDIATELY AFTER MOVING GOAL. GOAL MUST NOT BE LEFT UNATTENDED WHILE RESTING ON WHEELS.**

## Parts

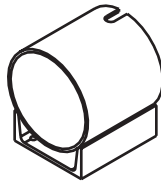
Tire  
4 Per Unit



Tire Lock  
4 Per Unit



Tire Mount  
4 Per Unit



Lock Knob  
4 Per Unit



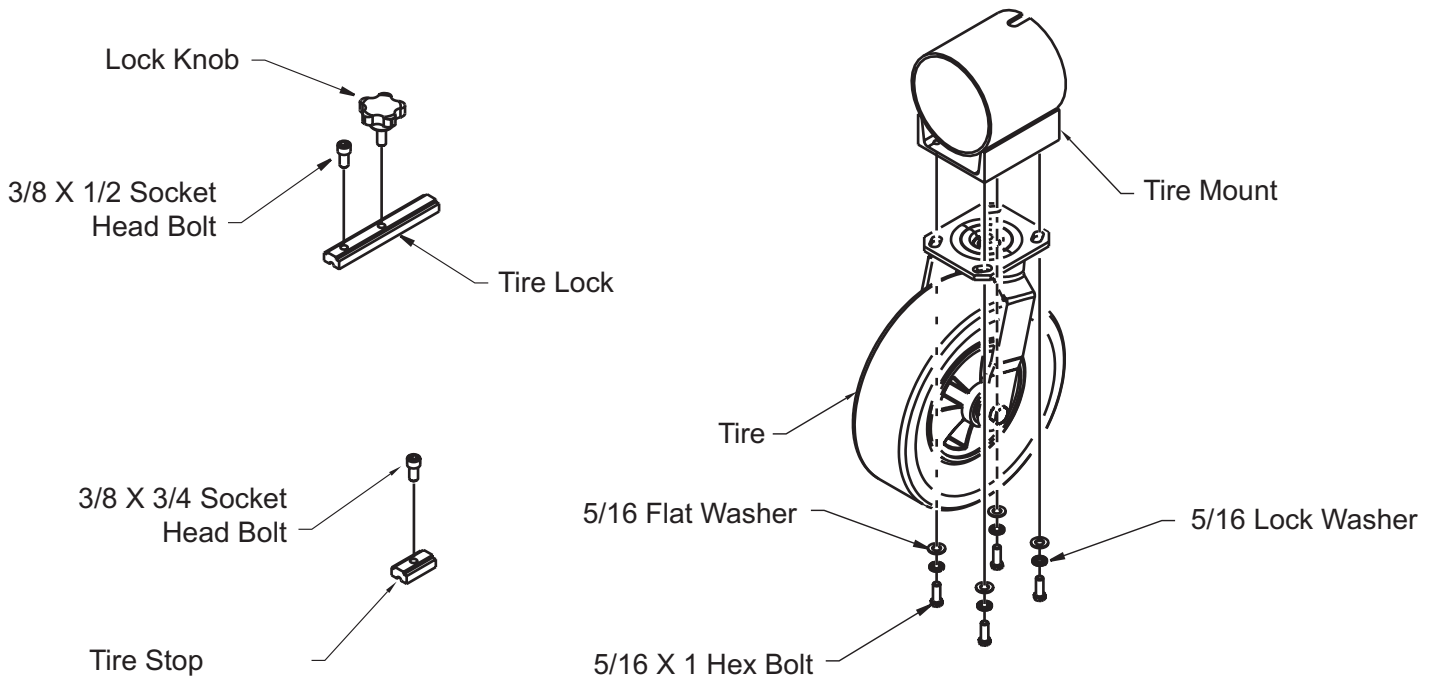
Tire Stop  
2 Per Unit



## Hardware

5/16 X 1 Hex Bolt	(16)
5/16 Lock Washer	(16)
5/16 Flat Washer	(16)
3/8 X 1/2 Socket Head Bolt	(4)
3/8 X 3/4 Socket Head Bolt	(2)
3/8 X 1 3/4 Socket Head Bolt	(2)
Anti-Seize Pack	(1)

Fig. 1

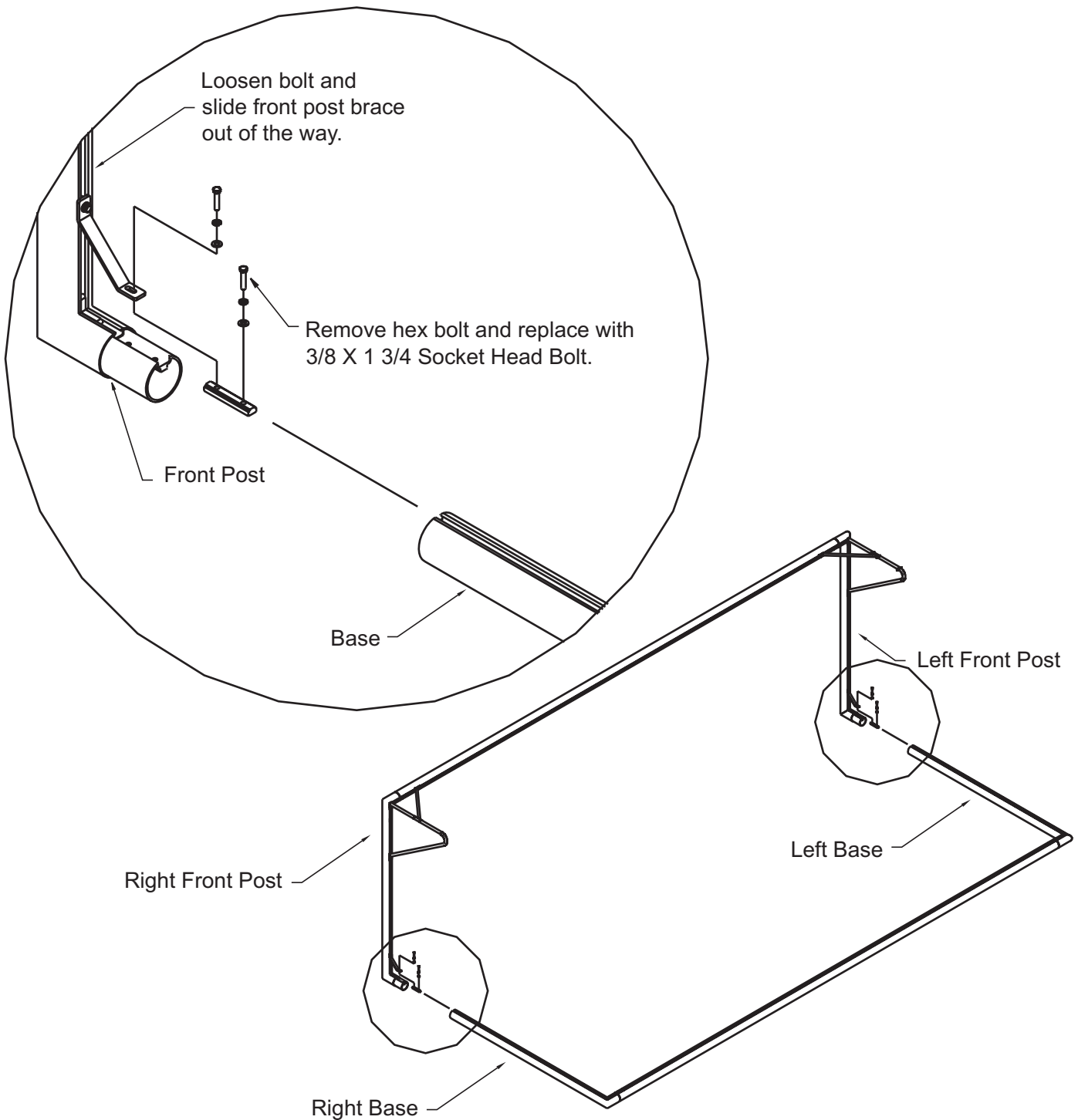


### \*\*\*CAUTION\*\*\*

**This goal has been designed to be used for the game of soccer only. Goal posts must be anchored AT ALL TIMES and shall be secured against tilting. Do not climb on the net or goal framework at anytime!**

**All fastenings must be checked to insure they are fully tightened before and after each use of this product. Goal posts not in use must be disassembled and properly stored in a safe, secure area. (See Guidelines for Moveable Soccer Goal Safety, included.) Assembled goal posts should not be left unattended. Remove nets when goals are not in use. Do not use this equipment during the threat of high winds. Goal posts should be checked for safety before and after each use. All warning and safety labels included with this product must be visible at all times. Any modifications to this or any Kwik Goal product will void any and all warranties.**

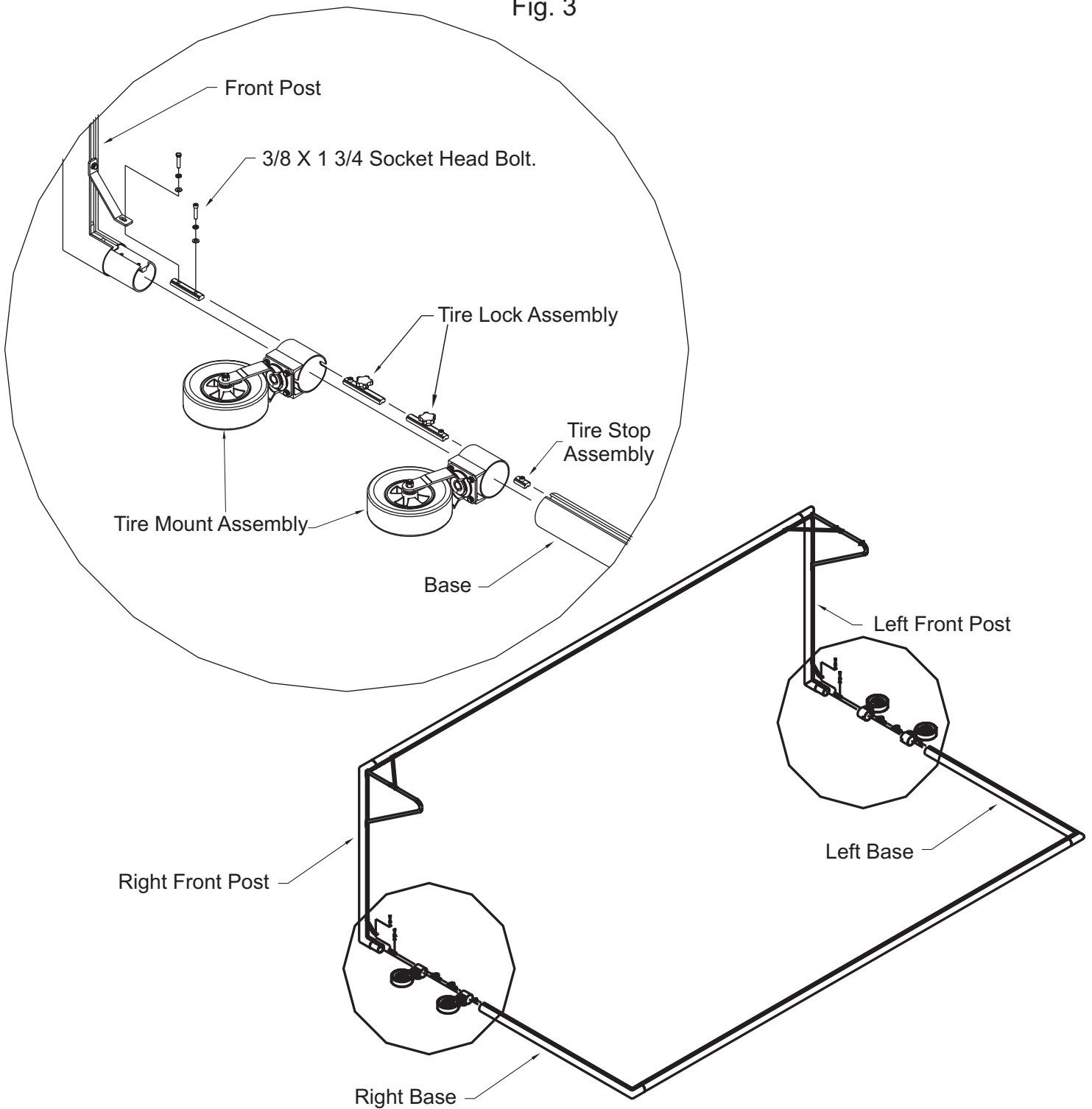
Fig. 2



**\*\*\*CAUTION\*\*\***

**This goal has been designed to be used for the game of soccer only. Goal posts must be anchored AT ALL TIMES and shall be secured against tilting. Do not climb on the net or goal framework at anytime! All fastenings must be checked to insure they are fully tightened before and after each use of this product. Goal posts not in use must be disassembled and properly stored in a safe, secure area. (See Guidelines for Moveable Soccer Goal Safety, included.) Assembled goal posts should not be left unattended. Remove nets when goals are not in use. Do not use this equipment during the threat of high winds. Goal posts should be checked for safety before and after each use. All warning and safety labels included with this product must be visible at all times. Any modifications to this or any Kwik Goal product will void any and all warranties.**

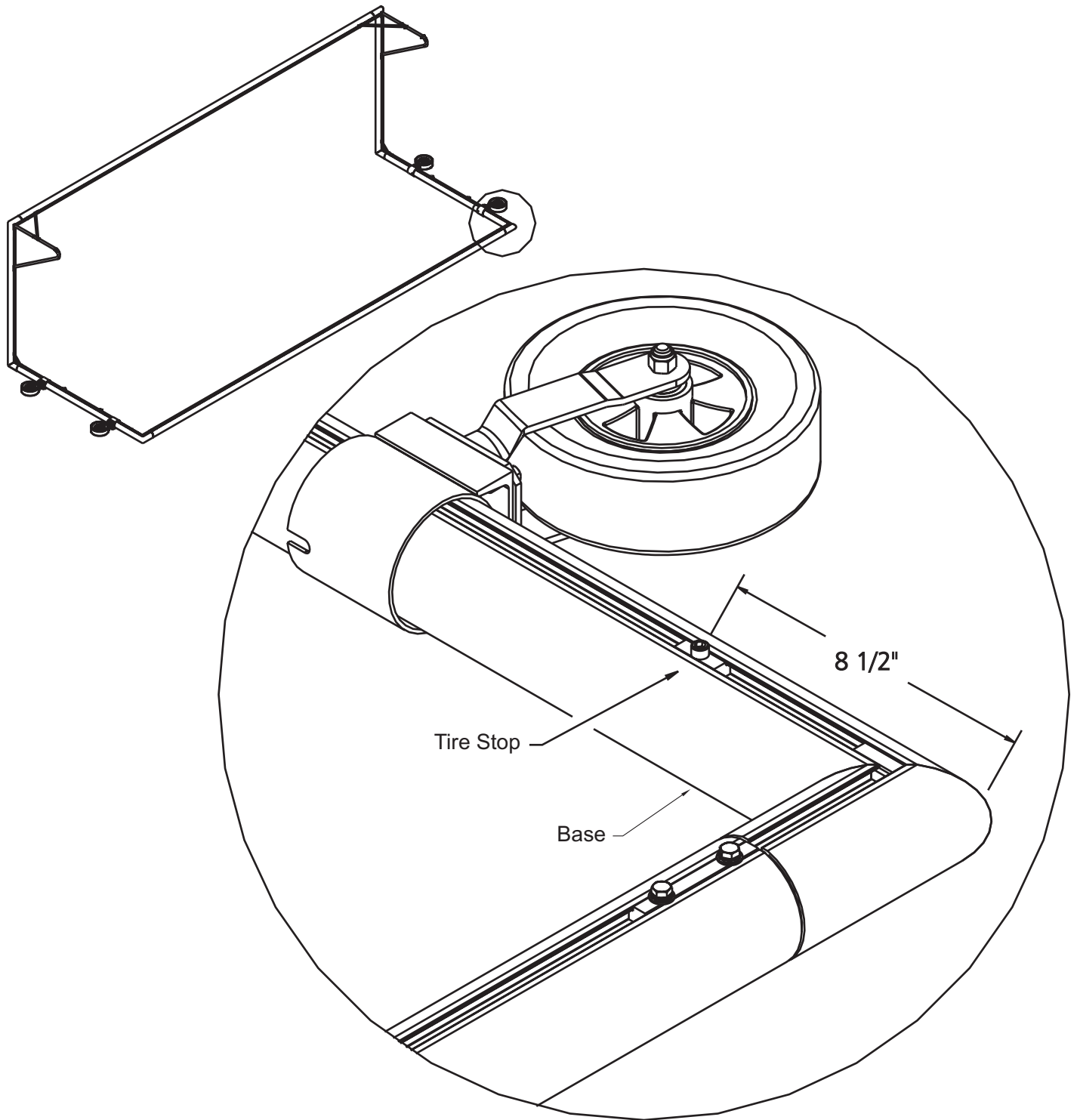
Fig. 3



**\*\*\*CAUTION\*\*\***

**This goal has been designed to be used for the game of soccer only. Goal posts must be anchored AT ALL TIMES and shall be secured against tilting. Do not climb on the net or goal framework at anytime! All fastenings must be checked to insure they are fully tightened before and after each use of this product. Goal posts not in use must be disassembled and properly stored in a safe, secure area. (See Guidelines for Moveable Soccer Goal Safety, included.) Assembled goal posts should not be left unattended. Remove nets when goals are not in use. Do not use this equipment during the threat of high winds. Goal posts should be checked for safety before and after each use. All warning and safety labels included with this product must be visible at all times. Any modifications to this or any Kwik Goal product will void any and all warranties.**

Fig. 4



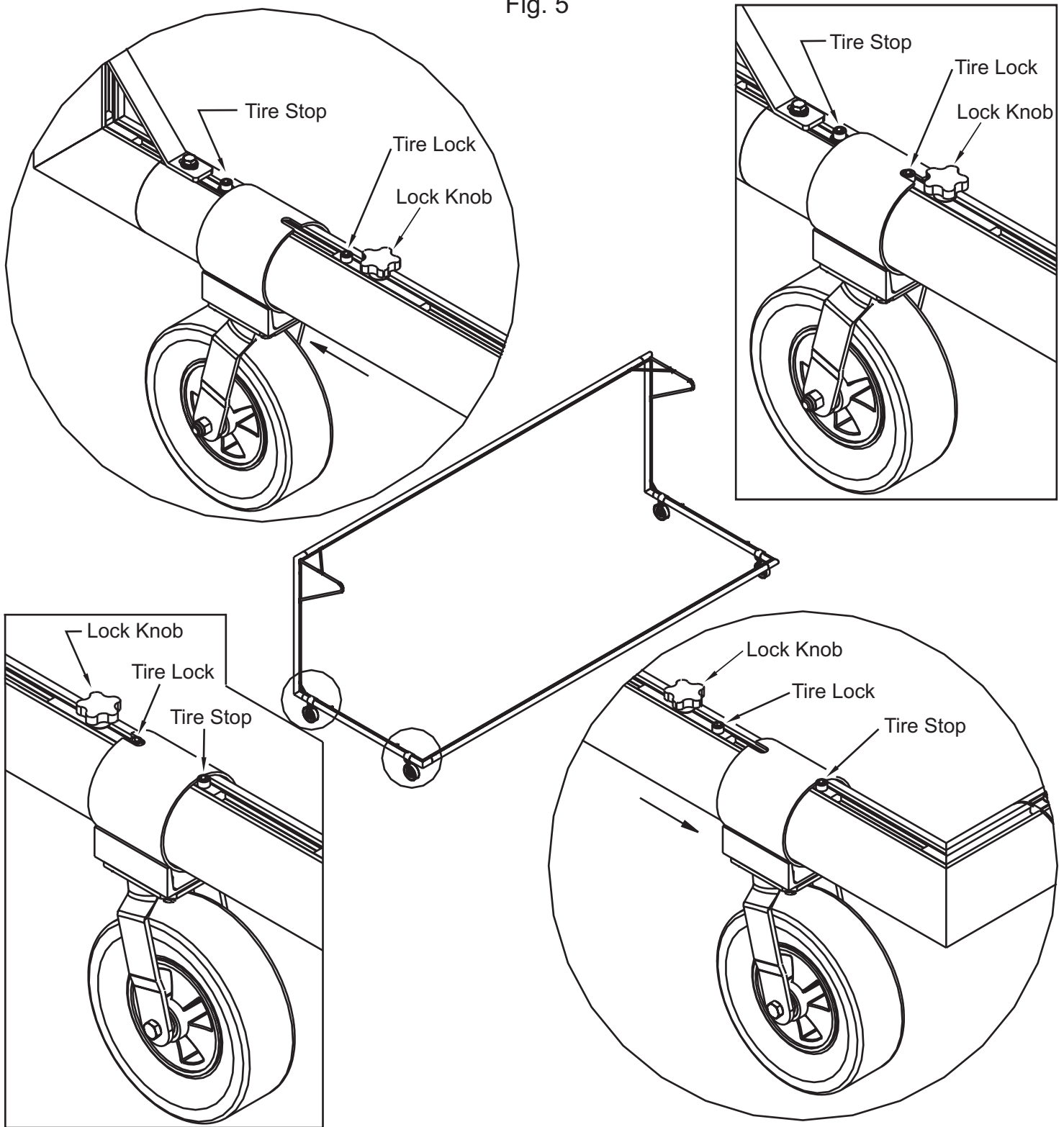
**\*\*\*CAUTION\*\*\***

**This goal has been designed to be used for the game of soccer only. Goal posts must be anchored AT ALL TIMES and shall be secured against tilting. Do not climb on the net or goal framework at anytime!**

**All fastenings must be checked to insure they are fully tightened before and after each use of this product. Goal posts not in use must be disassembled and properly stored in a safe, secure area. (See**

**Guidelines for Moveable Soccer Goal Safety, included.) Assembled goal posts should not be left unattended. Remove nets when goals are not in use. Do not use this equipment during the threat of high winds. Goal posts should be checked for safety before and after each use. All warning and safety labels included with this product must be visible at all times. Any modifications to this or any Kwik Goal product will void any and all warranties.**

Fig. 5

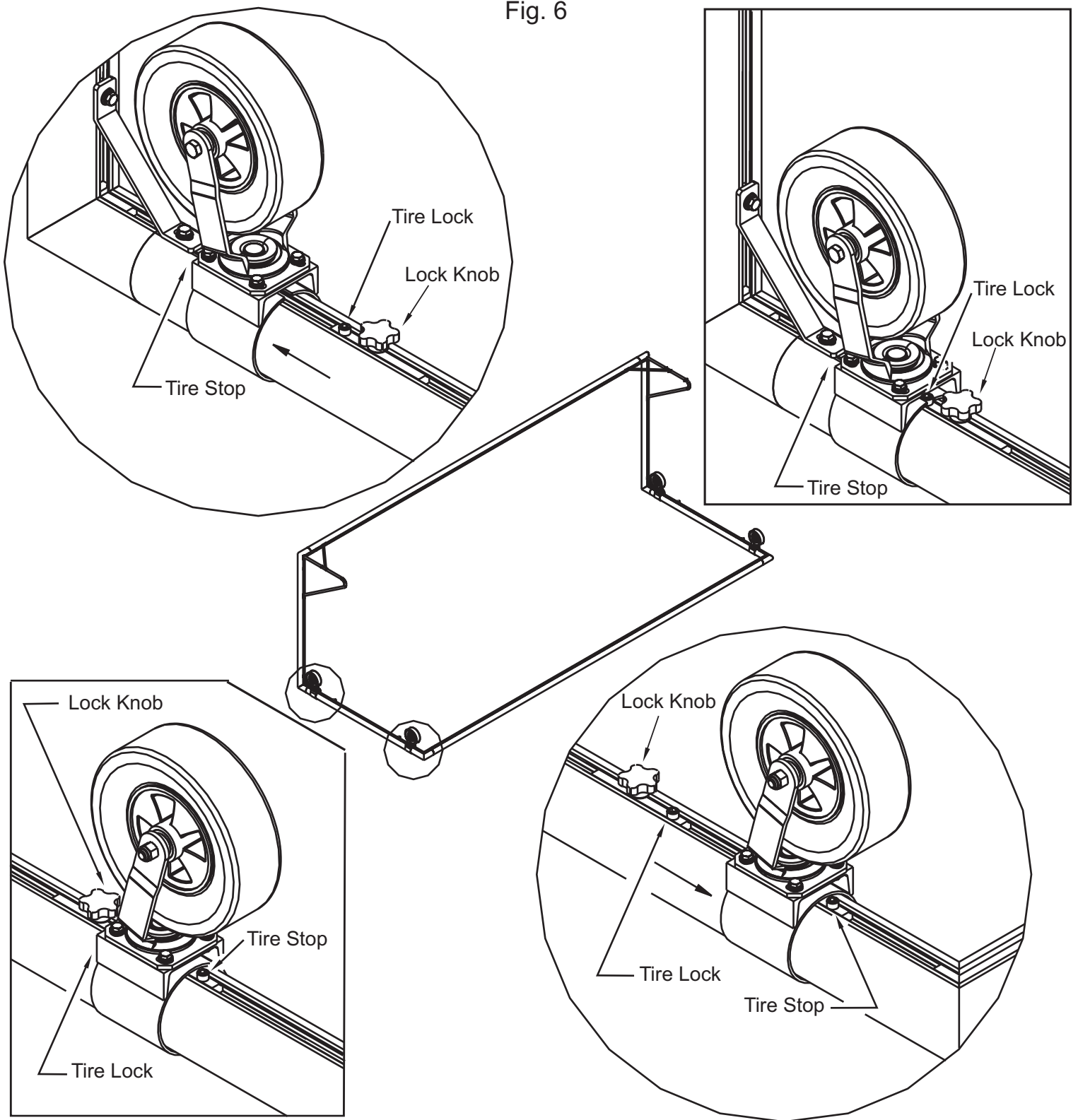


**\*\*\*CAUTION\*\*\***

**This goal has been designed to be used for the game of soccer only. Goal posts must be anchored AT ALL TIMES and shall be secured against tilting. Do not climb on the net or goal framework at anytime!**

**All fastenings must be checked to insure they are fully tightened before and after each use of this product. Goal posts not in use must be disassembled and properly stored in a safe, secure area. (See Guidelines for Moveable Soccer Goal Safety, included.) Assembled goal posts should not be left unattended. Remove nets when goals are not in use. Do not use this equipment during the threat of high winds. Goal posts should be checked for safety before and after each use. All warning and safety labels included with this product must be visible at all times. Any modifications to this or any Kwik Goal product will void any and all warranties.**

Fig. 6



**\*\*\*CAUTION\*\*\***

**This goal has been designed to be used for the game of soccer only. Goal posts must be anchored AT ALL TIMES and shall be secured against tilting. Do not climb on the net or goal framework at anytime! All fastenings must be checked to insure they are fully tightened before and after each use of this product. Goal posts not in use must be disassembled and properly stored in a safe, secure area. (See Guidelines for Moveable Soccer Goal Safety, included.) Assembled goal posts should not be left unattended. Remove nets when goals are not in use. Do not use this equipment during the threat of high winds. Goal posts should be checked for safety before and after each use. All warning and safety labels included with this product must be visible at all times. Any modifications to this or any Kwik Goal product will void any and all warranties.**