



IMPORTANT SAFETY INSTRUCTIONS
READ CAREFULLY

1. Check for structural integrity and proper connecting hardware before every use. Replace damaged or missing parts or fasteners immediately.
2. Safety/Warning labels must be clearly visible.
3. Securely anchor moveable soccer goals at ALL times.
4. Always instruct players, managers, coaches, trainers, teachers, maintenance workers and all other personnel who might come in contact with the goal, on the safe handling of and potential dangers associated with moveable soccer goals.
5. Always exercise extreme caution when moving goals and provide adequate manpower to move goals of varied sizes and weights. Moveable soccer goals should only be moved by authorized personnel.
6. NEVER allow anyone to climb on the net or goal framework.
7. Moveable soccer goals should only be used on LEVEL fields, NEVER on a slope or hill area.
8. Remove nets when goals are not in use.
9. Most of the tip-over injuries occurred when goals were unattended. Anchor or chain one goal to another or to nearby fence posts, dugouts, or any other similar sturdy fixture when not in use. If this is not practical, store moveable soccer goals in a place where children cannot have access to them.
10. Fully disassemble goals for seasonal storage.



All Kwik Goal products carry a **Lifetime Guarantee**. For help with guarantee issues visit kwikgoal.com and click on the **Lifetime Guarantee** logo or contact customer service at 1-800-531-4252.

ASSEMBLY INSTRUCTIONS FOR 2B8 PRO-PREMIER- WORLD COMPETITION SOCCER GOAL

1. Unpack all parts and check for damage that may have occurred during shipping. If damage has occurred, notify trucking company immediately. Wet or damp packaging may damage contents.
2. All hardware is in one or more separate boxes shipped with goals.
3. Lay out left post and right post face down on turf. See figure 1.
4. Insert channel spacers into channel on each end of top rail. Insert sleeve of left post and right post into top rail. Line up all holes. Connect top rail with hex bolts. See figure 1. **NOTE:** Be sure to coat threads on all bolts with anti-seize compound before fastening.
CAUTION: DO NOT OVER-TIGHTEN BOLTS.
5. Insert two 3/8" square nuts and one T-spacer into left post and right post. Lock T-spacer into position with set screws. See figure 2.
6. Slide front post ground sleeves onto left post and right post. Dig two holes 41 1/4" (1.07 m) deep and at least 24" (61 cm) across at front post location. See figures 2, 3 and 4.
7. Fill bottom of holes with 1" diameter stone until the hole is 29 1/4" (74.3 cm) in depth. This will allow water and small debris to flow through the hole located in the bottom of the front post ground sleeve after installation. See figure 4.
8. Set assembled goal posts with front post ground sleeve into holes. Front post ground sleeves must set 5" (12.7 cm) below field surface, See figure 4. Plumb and level goal, making sure the bottom of top rail is 8 feet (2.44 m) from the field surface. See figure 6. Face of the goal post should not enter into playing field. See figure 3.
9. Seal space between left post and right post, and front post ground sleeve with tape, or small bead of sealer. This will stop debris from entering front post ground sleeve during construction.
10. Fill holes with concrete, flush to the top of front post ground sleeve. See figure 4.
11. After concrete has fully cured, see figure 13 for test procedures to ensure the goal has been anchored properly.
12. Mark field location for back poles and dig holes 41 1/4" (1.07 m) deep and a minimum of 24" (61.0 cm) across. See figures 3 and 5.

CAUTION: GOALS MUST BE PROPERLY ANCHORED OR STORED AT ALL TIMES.

140 Pacific Drive Quakertown, PA 18951
(P) 215-536-2200 / (P) 800-531-4252 / (F) 215-536-4309 / (F) 800-778-8869
Visit our website @ kwikgoal.com
© 2005, Rev 2008 Kwik Goal Ltd.

13. Fill bottom of holes with 1" (2.54 cm) diameter stone until the hole is 29 1/4" (74.3 cm) in depth. This will allow water and small debris to flow through the hole located in the bottom of the back pole ground sleeve. See figure 5.
14. Set back poles and back poles ground sleeves into holes. Back pole ground sleeves must set 5" (12.7 cm) below field surface. See figure 5.
15. Seal space between back pole and back pole ground sleeve with tape or small bead of sealer. This will stop debris from entering back pole ground sleeve during construction.
16. Fill holes with concrete, flush to the top of back pole ground sleeve. Be sure to level back poles before concrete begins to cure. See figure 5.
17. Allow concrete to fully cure and assemble back poles and net straps according to figures 11 and 12.
18. Attach net frame channel connector, to left post and right post, as shown in figure 7.
19. Assemble left net frame, right net frame, and rear net frame. See figure 8.
20. Attach assembled net frame to front posts of assembled goal, as shown in figure 9.
21. To attach net to goal, place base of net clip into channel and turn 90 degrees to lock into place. See figures 10, 11, and 12.
CAUTION: DO NOT ATTEMPT TO CLIMB ON GOAL WHILE ATTACHING NET.
22. To lift net frame up off field surface see figure 12.
23. Clear away all soil and debris from top of front post ground sleeves and back pole ground sleeves before removing goal. Be sure to put front post ground sleeve caps and back pole ground sleeve caps in all ground sleeve openings. Be sure to disassemble and store goal in a safe place to prevent injury. Repeat for back pole removal. **See GUIDELINES FOR MOVEABLE SOCCER GOALS, included for proper storage procedures.**

*****CAUTION*****

This goal has been designed to be used for the game of soccer only. Goal posts must be anchored AT ALL TIMES and shall be secured against tilting. Do not climb on the net or goal framework at anytime! All fastenings must be checked to insure they are fully tightened before and after each use of this product. Goal posts not in use must be disassembled and properly stored in a safe, secure area. (See Guidelines for Moveable Soccer Goal Safety, included.) Assembled goal posts should not be left unattended. Remove nets when goals are not in use. Do not use this equipment during the threat of high winds. Goal posts should be checked for safety before and after each use. All warning and safety labels included with this product must be visible at all times. Any modifications to this or any Kwik Goal product will void any and all warranties.

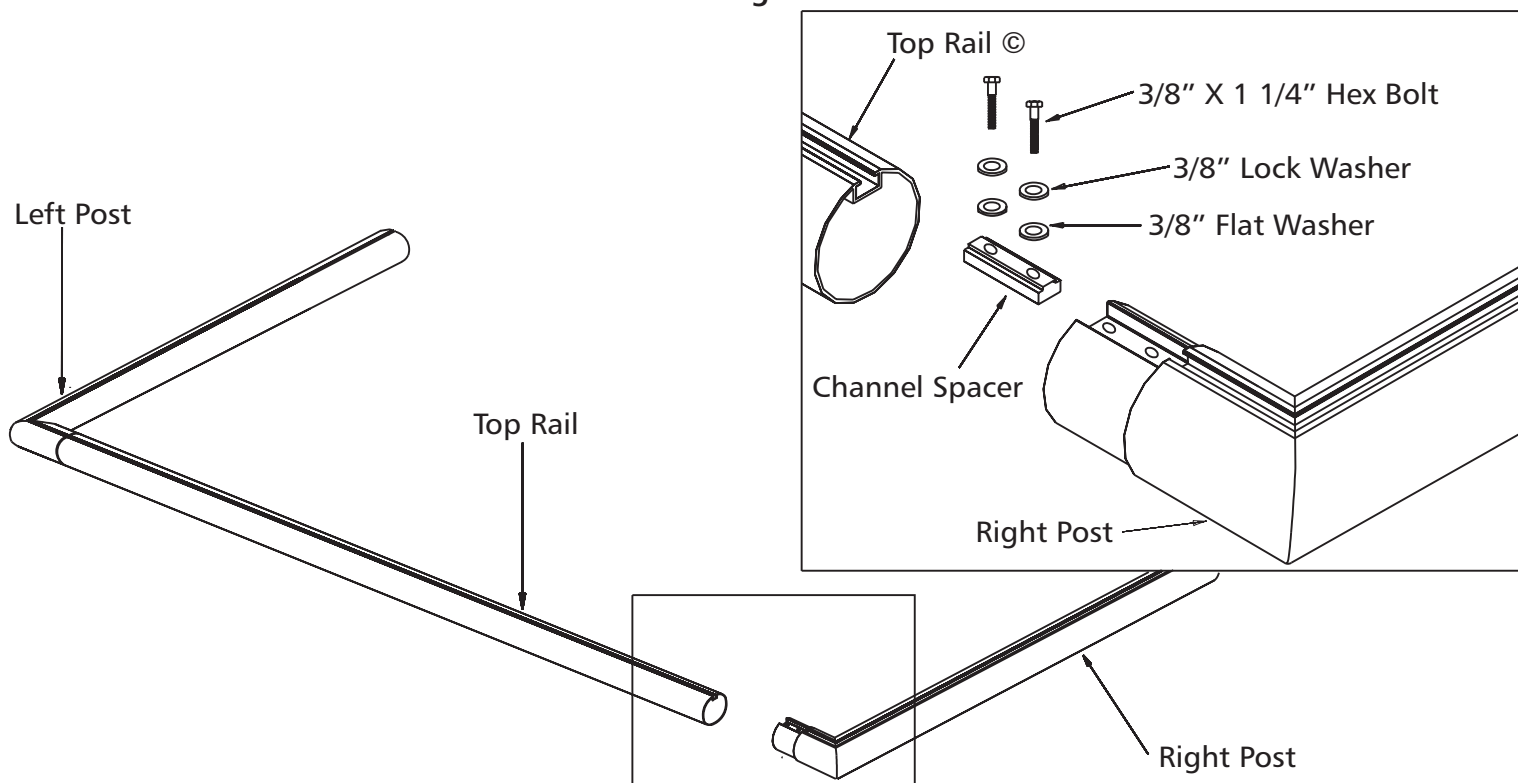
Parts List for One Goal

Left Post	(1)
Right Post	(1)
Top Rail	(1)
Left Net Frame	(1)
Right Net Frame	(1)
Rear Net Frame	(1)
Channel Spacers	(6)
T-Spacer	(2)
Net Frame Channel Connectors	(2)
Net Frame Connector Plates	(2)
Front Post Ground Sleeves	(2)
Front Post Ground Sleeve Caps	(2)
Back Poles	(3)
Back Pole Ground Sleeves	(3)
Back Pole Ground Sleeve Caps	(3)
Net Clips	(80)
Net (3B1521)	(1)
Nylon Straps	(3)
6' Roll of Net Fastener	(1)

Hardware

Anti-Seize Compound	(1 Pk)
1/4" X 1/2" Set Screws	(2)
3/8" X 7/8" Hex Bolts	(4)
3/8" X 1 1/4" Hex Bolts	(12)
3/8" Square Nuts	(4)
3/8" Flat Washers	(19)
3/8" Lock Washers	(16)
3/8" Eye Bolts	(3)
3/8" Lock Nuts	(3)
5/16" X 3 1/4" Hex Bolts	(5)
5/16" Lock Nuts	(5)
5/16" Flat Washers	(10)
Ratchet Binders	(3)
Snap Links	(3)

Fig. 1



*****CAUTION*****

This goal has been designed to be used for the game of soccer only. Goal posts must be anchored AT ALL TIMES and shall be secured against tilting. Do not climb on the net or goal framework at anytime! All fastenings must be checked to insure they are fully tightened before and after each use of this product. Goal posts not in use must be disassembled and properly stored in a safe, secure area. (See Guidelines for Moveable Soccer Goal Safety, included.) Assembled goal posts should not be left unattended. Remove nets when goals are not in use. Do not use this equipment during the threat of high winds. Goal posts should be checked for safety before and after each use. All warning and safety labels included with this product must be visible at all times. Any modifications to this or any Kwik Goal product will void any and all warranties.

Fig. 2

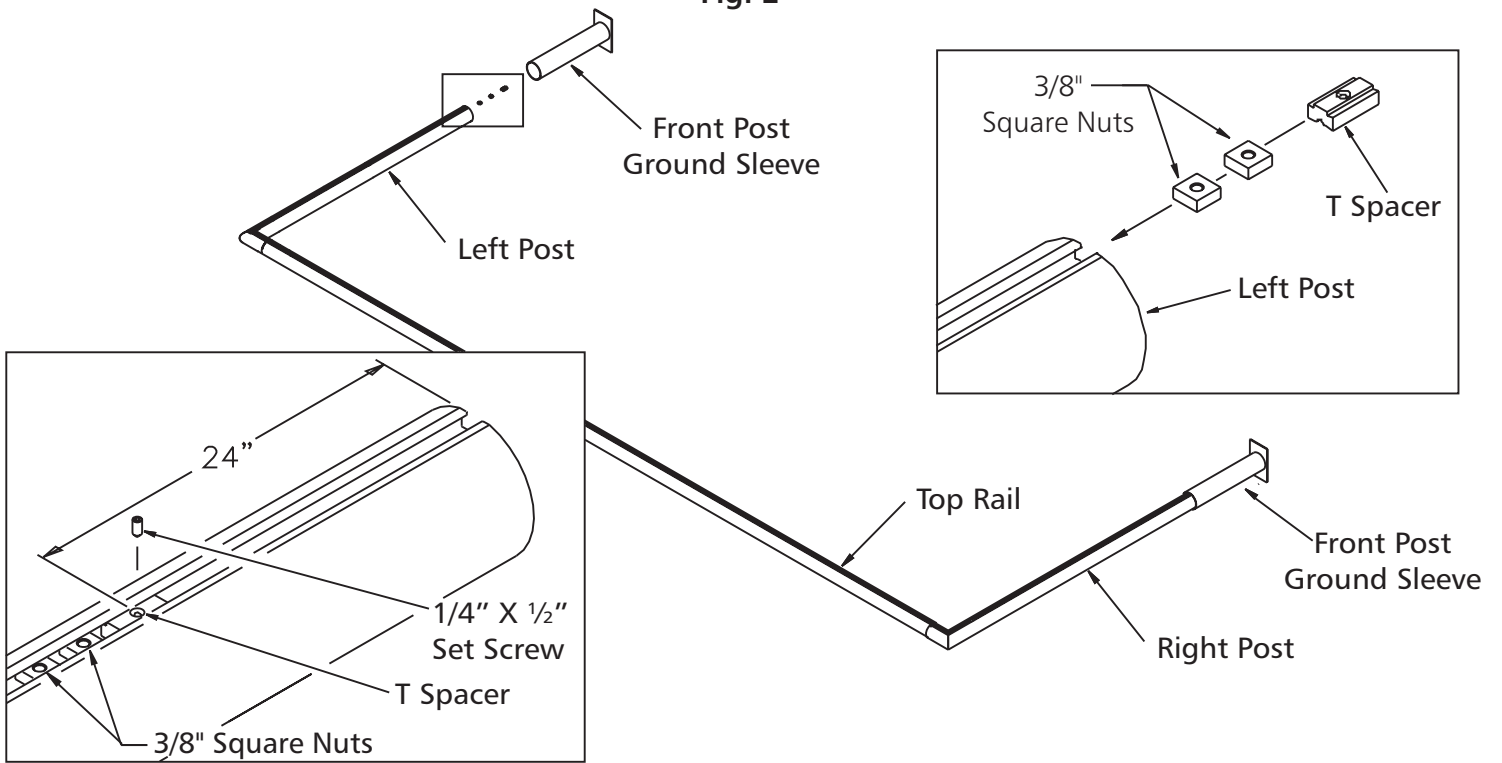
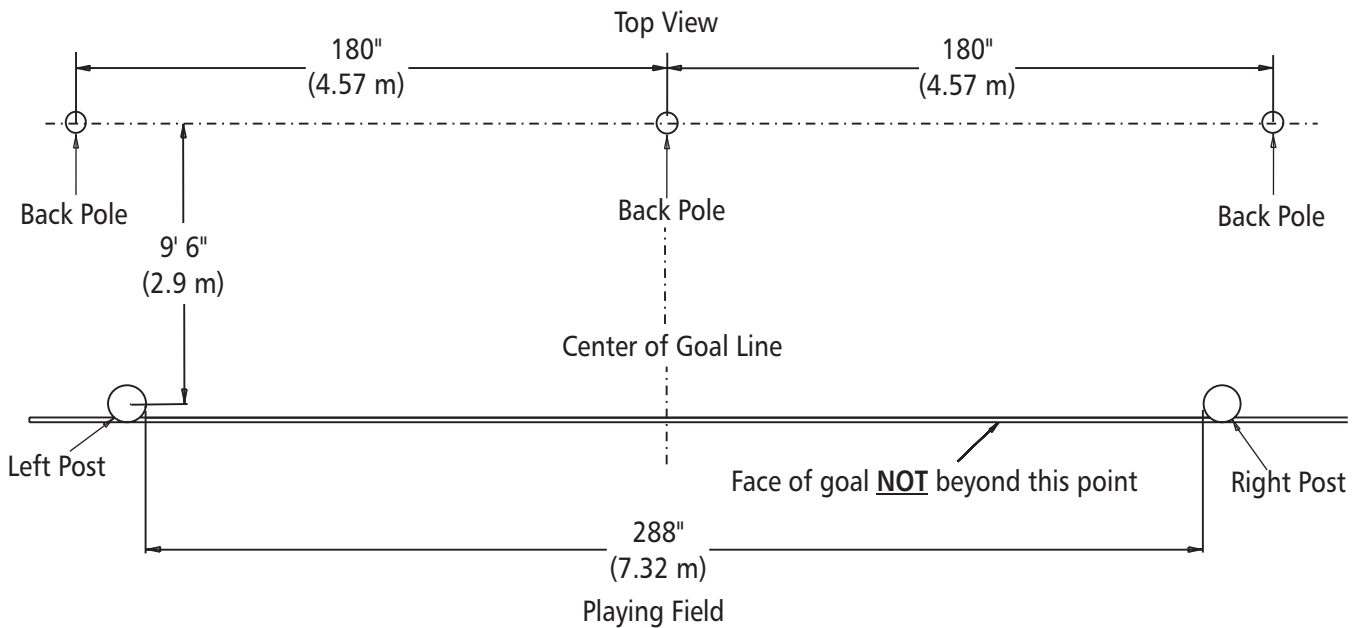


Fig. 3



*****CAUTION*****

This goal has been designed to be used for the game of soccer only. Goal posts must be anchored AT ALL TIMES and shall be secured against tilting. Do not climb on the net or goal framework at anytime! All fastenings must be checked to insure they are fully tightened before and after each use of this product. Goal posts not in use must be disassembled and properly stored in a safe, secure area. (See Guidelines for Moveable Soccer Goal Safety, included.) Assembled goal posts should not be left unattended. Remove nets when goals are not in use. Do not use this equipment during the threat of high winds. Goal posts should be checked for safety before and after each use. All warning and safety labels included with this product must be visible at all times. Any modifications to this or any Kwik Goal product will void any and all warranties.

Fig. 4

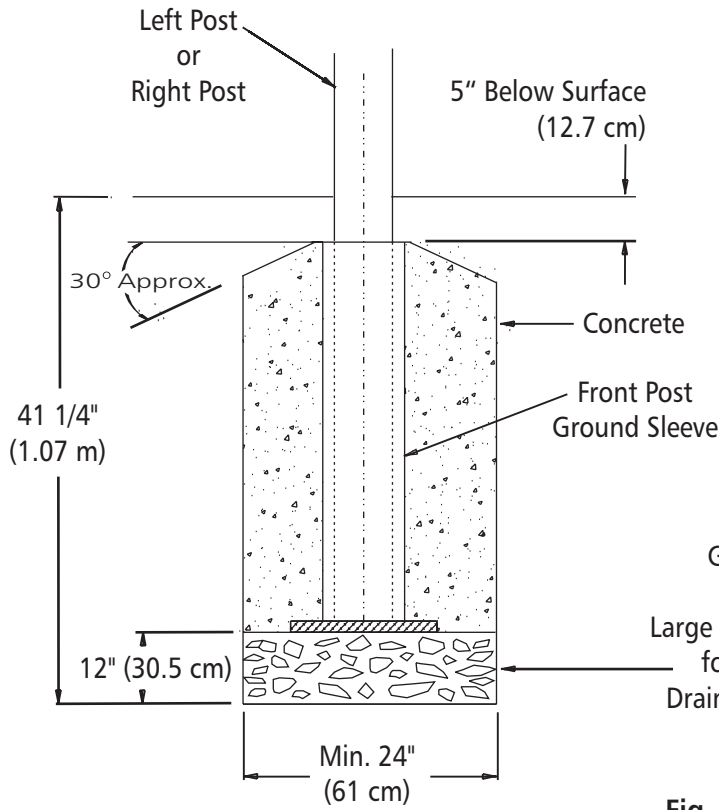


Fig. 5

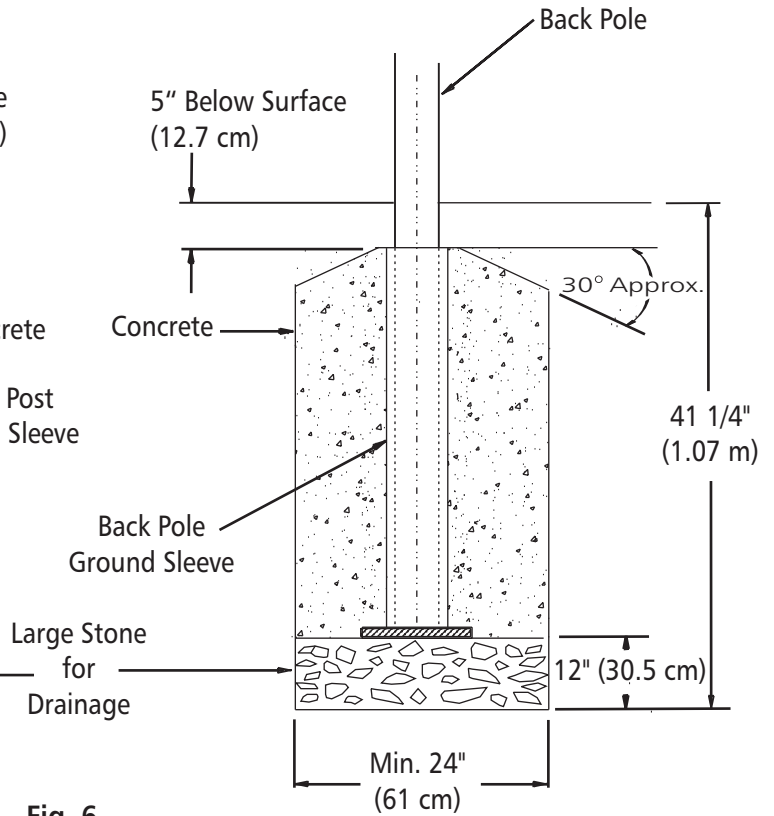
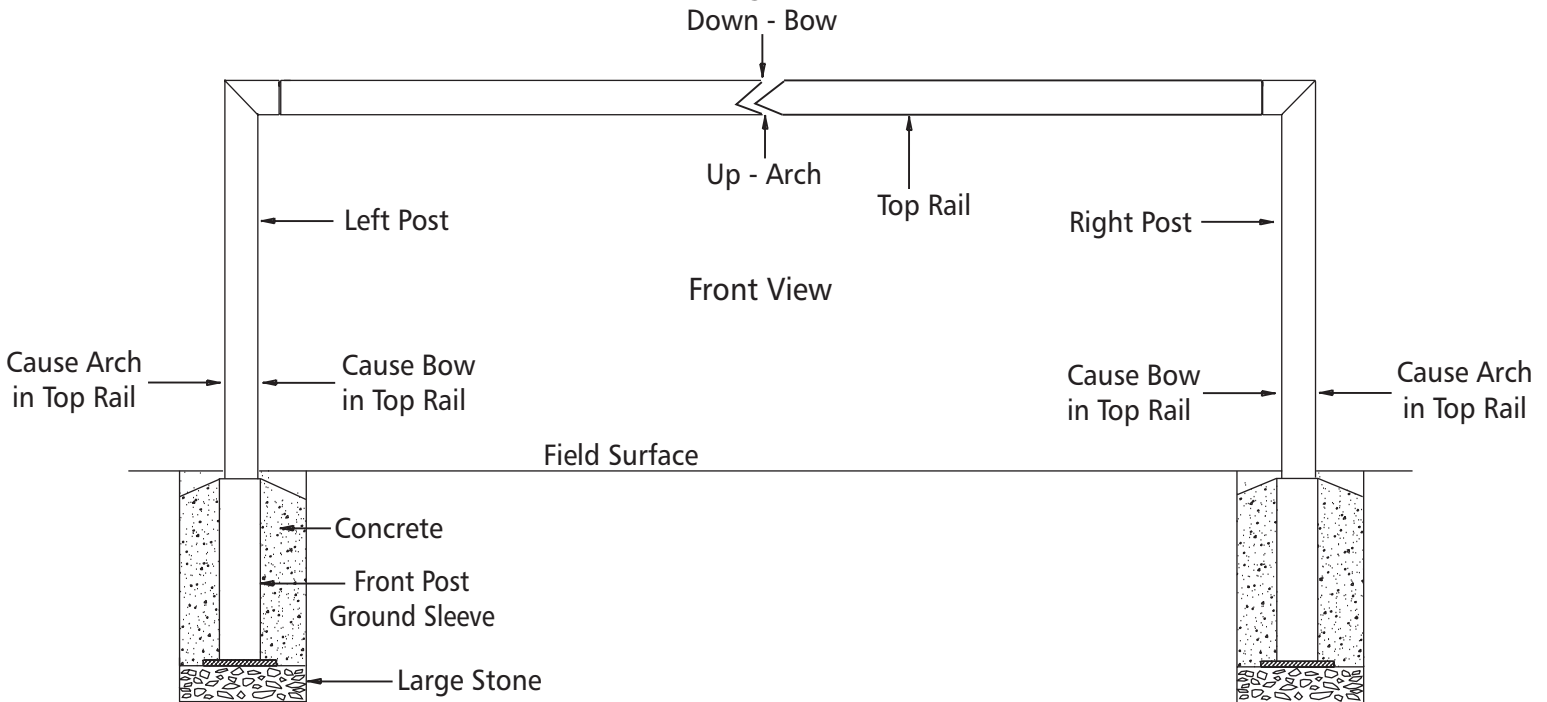


Fig. 6



CAUTION

This goal has been designed to be used for the game of soccer only. Goal posts must be anchored AT ALL TIMES and shall be secured against tilting. Do not climb on the net or goal framework at anytime! All fastenings must be checked to insure they are fully tightened before and after each use of this product. Goal posts not in use must be disassembled and properly stored in a safe, secure area. (See Guidelines for Moveable Soccer Goal Safety, included.) Assembled goal posts should not be left unattended. Remove nets when goals are not in use. Do not use this equipment during the threat of high winds. Goal posts should be checked for safety before and after each use. All warning and safety labels included with this product must be visible at all times. Any modifications to this or any Kwik Goal product will void any and all warranties.

Fig. 7

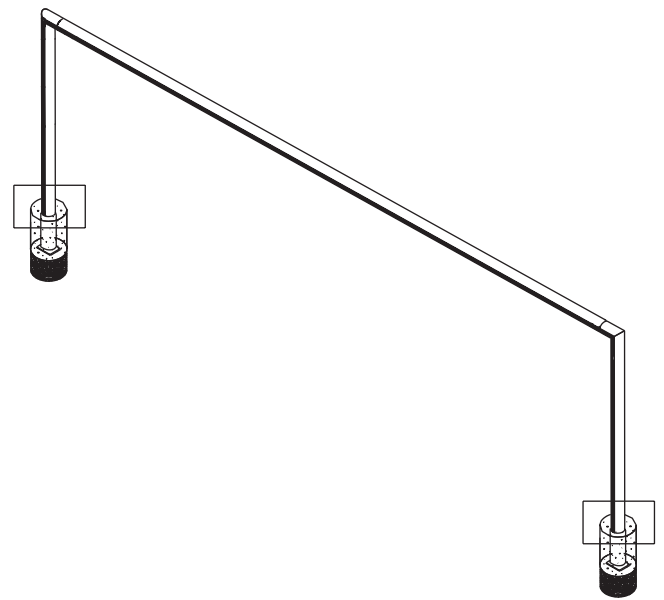
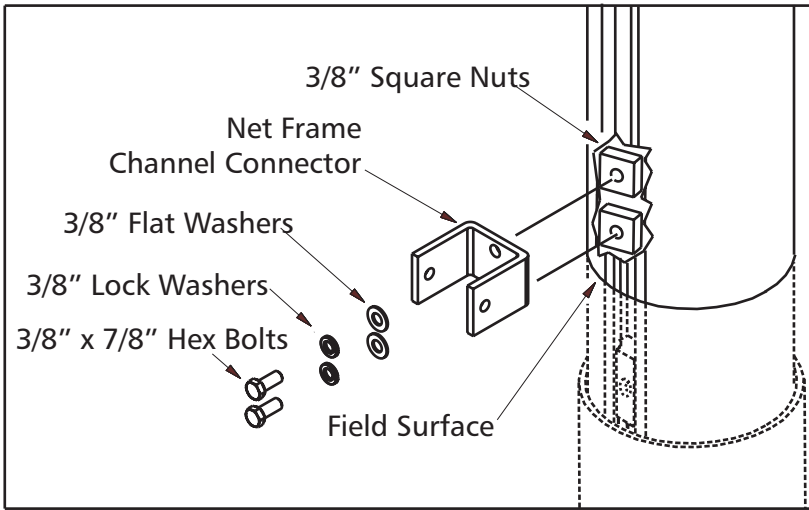
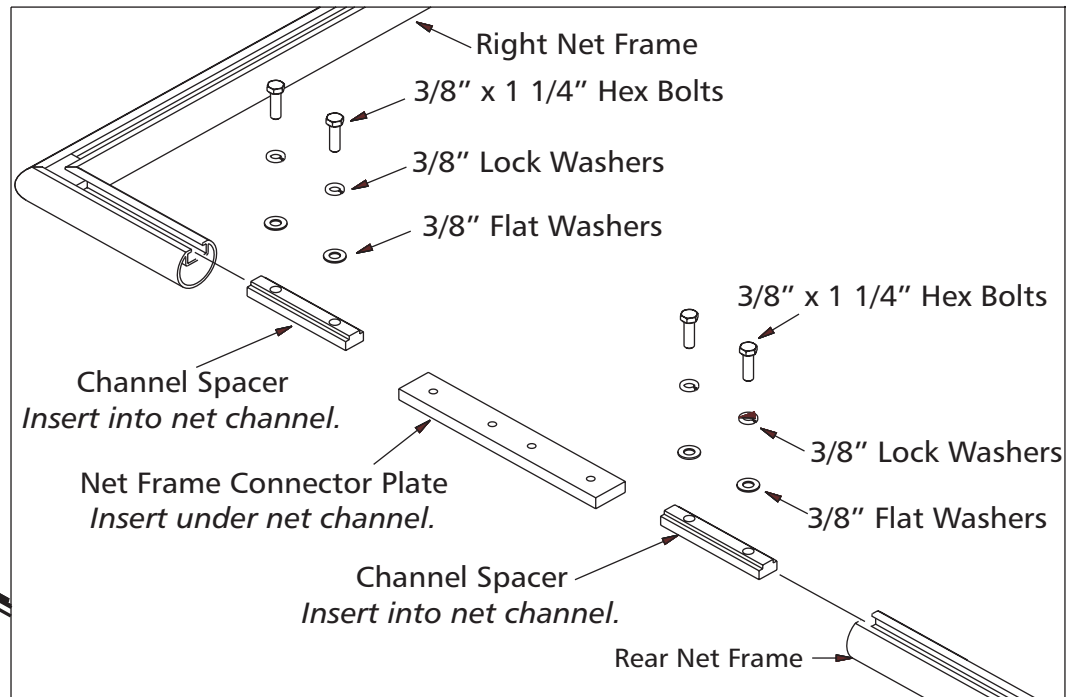
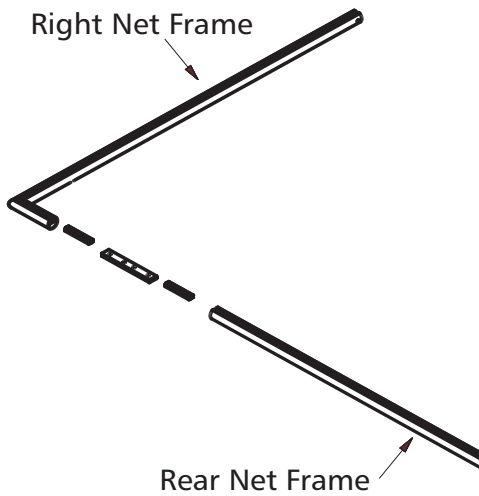


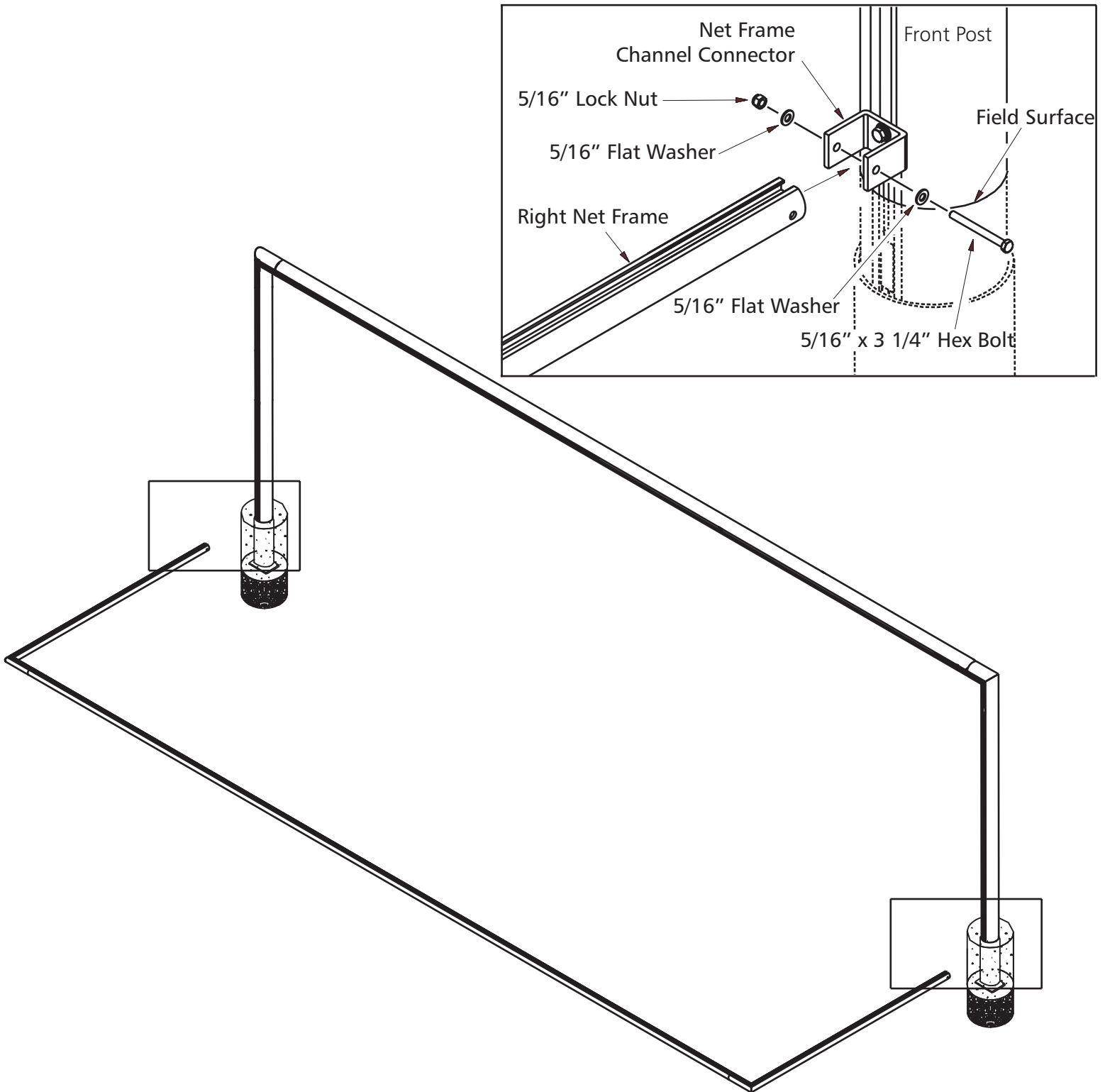
Fig. 8



*****CAUTION*****

This goal has been designed to be used for the game of soccer only. Goal posts must be anchored AT ALL TIMES and shall be secured against tilting. Do not climb on the net or goal framework at anytime! All fastenings must be checked to insure they are fully tightened before and after each use of this product. Goal posts not in use must be disassembled and properly stored in a safe, secure area. (See Guidelines for Moveable Soccer Goal Safety, included.) Assembled goal posts should not be left unattended. Remove nets when goals are not in use. Do not use this equipment during the threat of high winds. Goal posts should be checked for safety before and after each use. All warning and safety labels included with this product must be visible at all times. Any modifications to this or any Kwik Goal product will void any and all warranties.

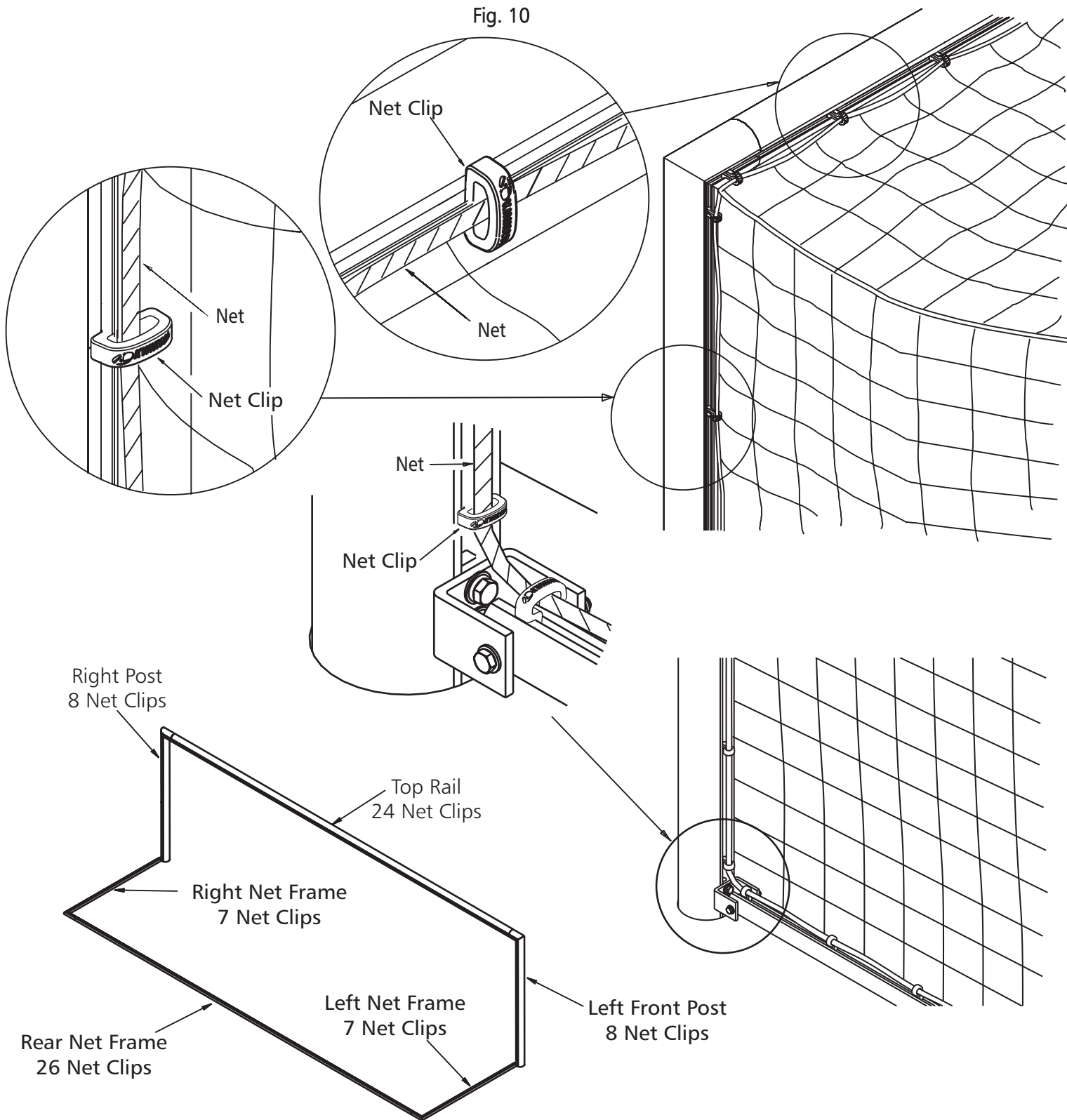
Fig. 9



*****CAUTION*****

This goal has been designed to be used for the game of soccer only. Goal posts must be anchored **AT ALL TIMES** and shall be secured against tilting. Do not climb on the net or goal framework at anytime! All fastenings must be checked to insure they are fully tightened before and after each use of this product. Goal posts not in use must be disassembled and properly stored in a safe, secure area. (See Guidelines for Moveable Soccer Goal Safety, included.) Assembled goal posts should not be left unattended. Remove nets when goals are not in use. Do not use this equipment during the threat of high winds. Goal posts should be checked for safety before and after each use. All warning and safety labels included with this product must be visible at all times. Any modifications to this or any Kwik Goal product will void any and all warranties.

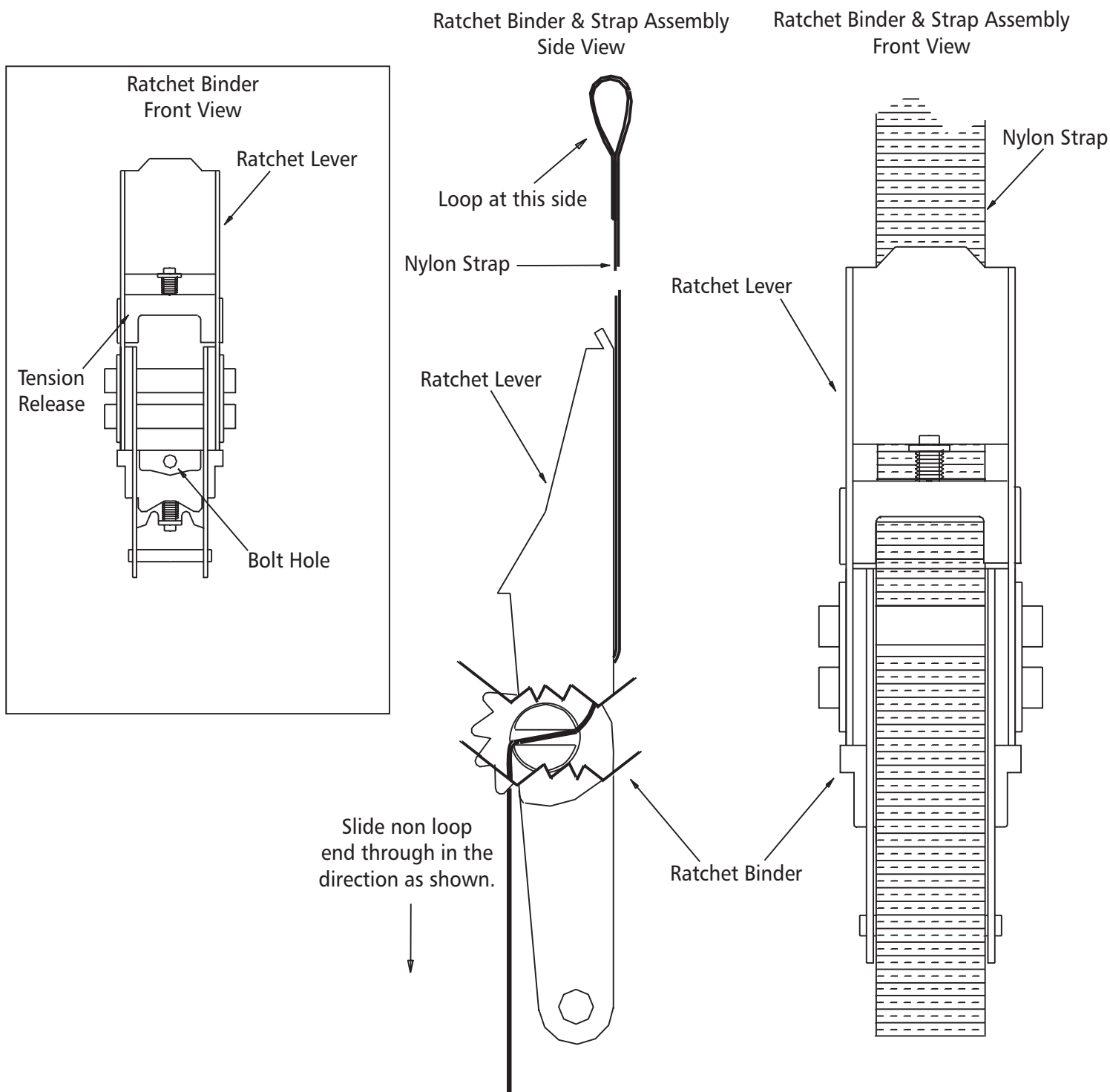
Fig. 10



*****CAUTION*****

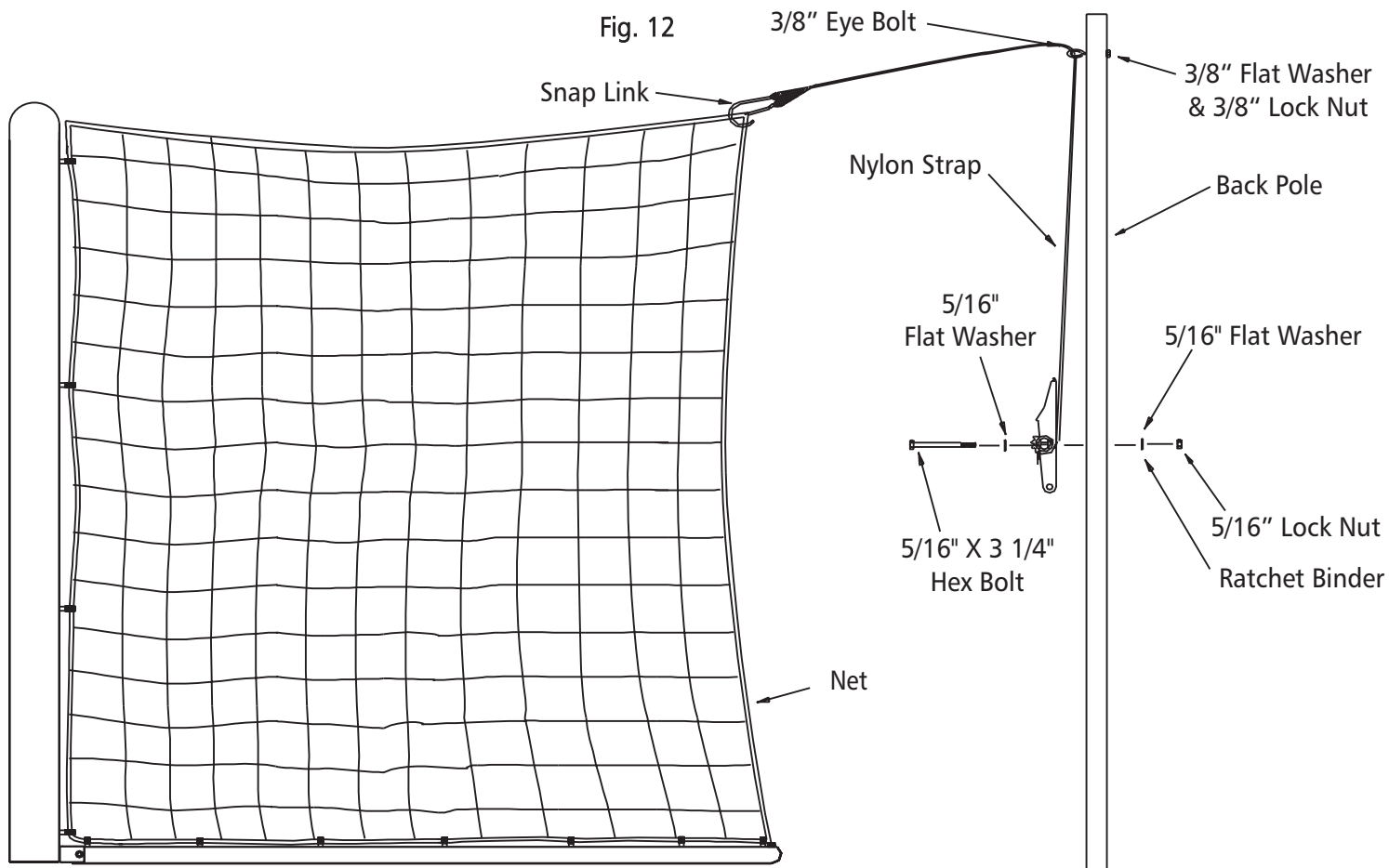
This goal has been designed to be used for the game of soccer only. Goal posts must be anchored AT ALL TIMES and shall be secured against tilting. Do not climb on the net or goal framework at anytime! All fastenings must be checked to insure they are fully tightened before and after each use of this product. Goal posts not in use must be disassembled and properly stored in a safe, secure area. (See Guidelines for Moveable Soccer Goal Safety, included.) Assembled goal posts should not be left unattended. Remove nets when goals are not in use. Do not use this equipment during the threat of high winds. Goal posts should be checked for safety before and after each use. All warning and safety labels included with this product must be visible at all times. Any modifications to this or any Kwik Goal product will void any and all warranties.

Fig. 11

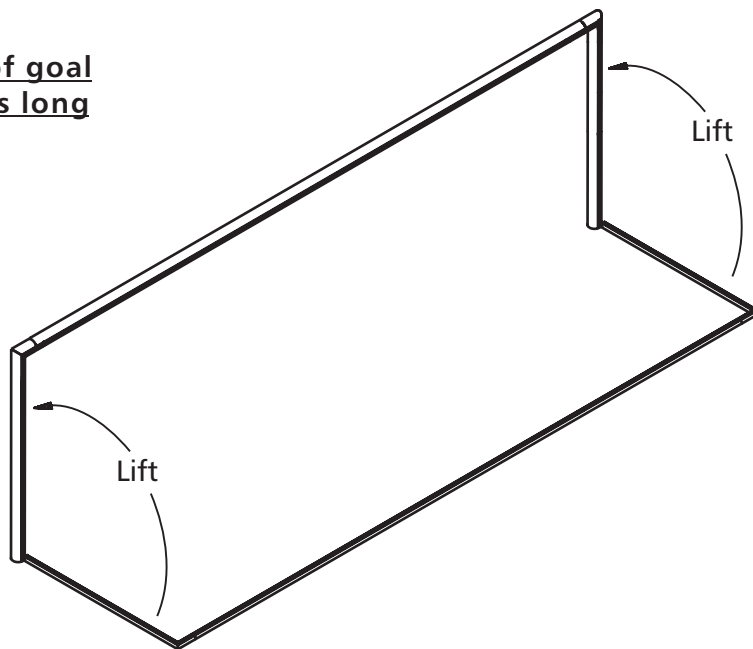
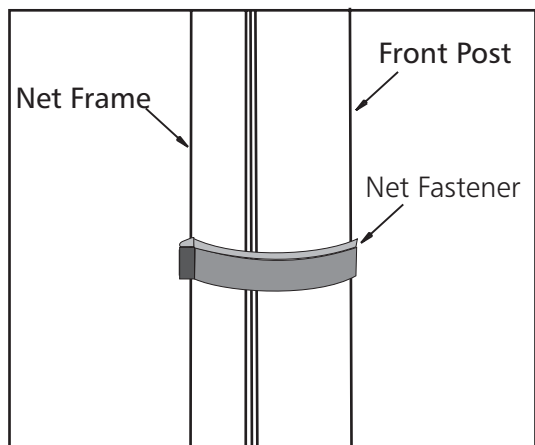


*****CAUTION*****

This goal has been designed to be used for the game of soccer only. Goal posts must be anchored AT ALL TIMES and shall be secured against tilting. Do not climb on the net or goal framework at anytime! All fastenings must be checked to insure they are fully tightened before and after each use of this product. Goal posts not in use must be disassembled and properly stored in a safe, secure area. (See Guidelines for Moveable Soccer Goal Safety, included.) Assembled goal posts should not be left unattended. Remove nets when goals are not in use. Do not use this equipment during the threat of high winds. Goal posts should be checked for safety before and after each use. All warning and safety labels included with this product must be visible at all times. Any modifications to this or any Kwik Goal product will void any and all warranties.



NOTE: Attach net frame to front post of goal with net fastener. Be sure to cut pieces long enough to allow a 2" over lap.



*****CAUTION*****

This goal has been designed to be used for the game of soccer only. Goal posts must be anchored AT ALL TIMES and shall be secured against tilting. Do not climb on the net or goal framework at anytime!

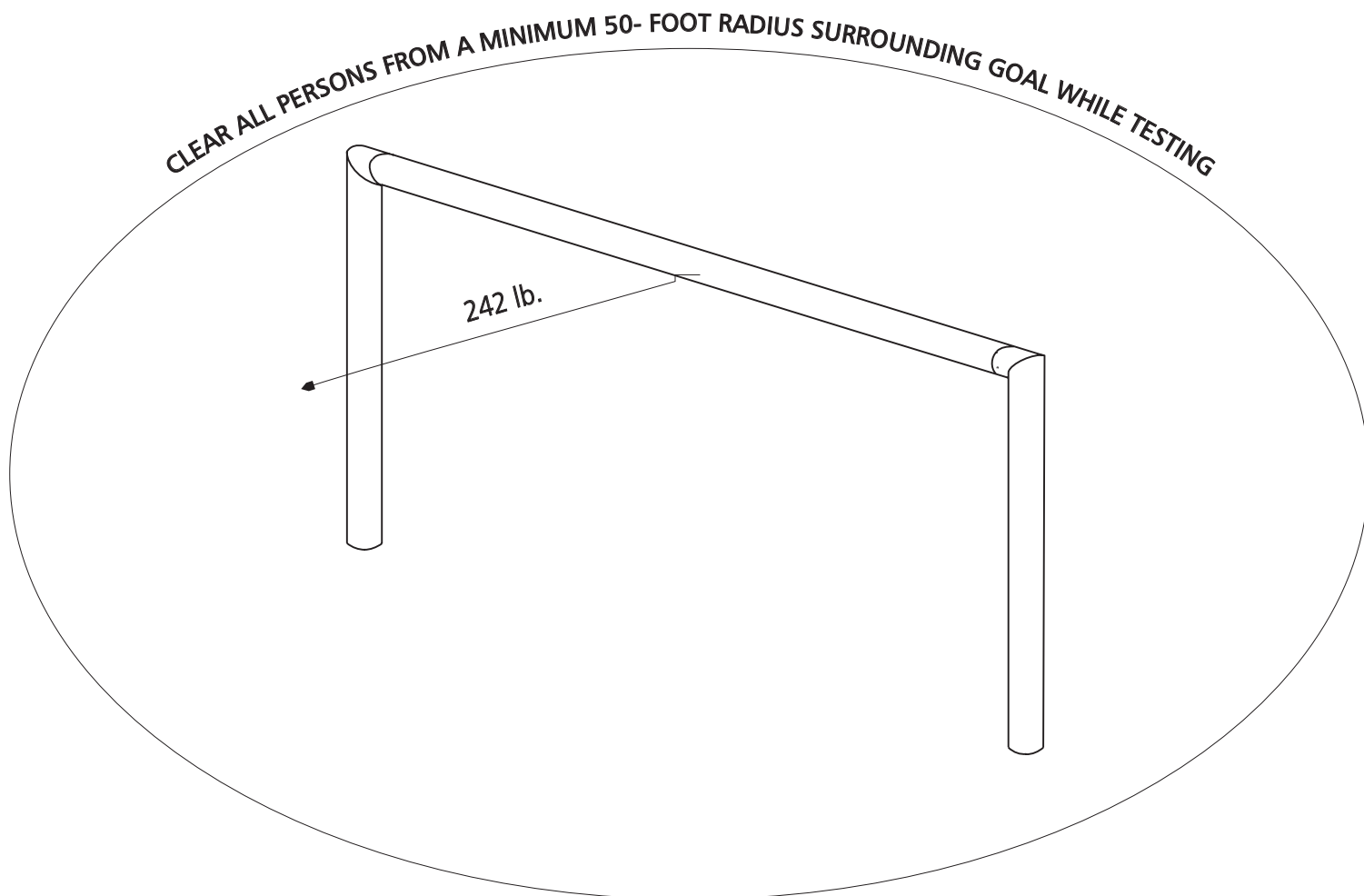
All fastenings must be checked to insure they are fully tightened before and after each use of this product. Goal posts not in use must be disassembled and properly stored in a safe, secure area. (See Guidelines for Moveable Soccer Goal Safety, included.) Assembled goal posts should not be left unattended. Remove nets when goals are not in use. Do not use this equipment during the threat of high winds. Goal posts should be checked for safety before and after each use. All warning and safety labels included with this product must be visible at all times. Any modifications to this or any Kwik Goal product will void any and all warranties.

Fig. 13

After installing the type of anchoring system chosen to secure goal to field surface:

1. Clear all persons from a minimum 50-foot radius surrounding the goal during testing.
2. Standing in front of goal, apply a horizontal pull force of 242 lbs. in the center or the top rail for 60 seconds (+/- 10 seconds). Full safety precautions must be taken while performing test.
3. Determine if unit tilts or does not return to its original position.
4. If unit tilts or does not return to its original position, use alternate anchoring system.

ANCHORING TEST



*****CAUTION*****

This goal has been designed to be used for the game of soccer only. Goal posts must be anchored AT ALL TIMES and shall be secured against tilting. Do not climb on the net or goal framework at anytime! All fastenings must be checked to insure they are fully tightened before and after each use of this product. Goal posts not in use must be disassembled and properly stored in a safe, secure area. (See Guidelines for Moveable Soccer Goal Safety, included.) Assembled goal posts should not be left unattended. Remove nets when goals are not in use. Do not use this equipment during the threat of high winds. Goal posts should be checked for safety before and after each use. All warning and safety labels included with this product must be visible at all times. Any modifications to this or any Kwik Goal product will void any and all warranties.