



IMPORTANT SAFETY INSTRUCTIONS
READ CAREFULLY

1. Check for structural integrity and proper connecting hardware before every use. Replace damaged or missing parts or fasteners immediately.
2. Safety/Warning labels must be clearly visible.
3. Securely anchor moveable soccer goals at ALL times.
4. Always instruct players, managers, coaches, trainers, teachers, maintenance workers and all other personnel who might come in contact with the goal, on the safe handling of and potential dangers associated with moveable soccer goals.
5. Always exercise extreme caution when moving goals and provide adequate manpower to move goals of varied sizes and weights. Moveable soccer goals should only be moved by authorized personnel.
6. NEVER allow anyone to climb on the net or goal framework.
7. Moveable soccer goals should only be used on LEVEL fields, NEVER on a slope or hill area.
8. Remove nets when goals are not in use.
9. Most of the tip-over injuries occurred when goals were unattended. Anchor or chain one goal to another or to nearby fence posts, dugouts, or any other similar sturdy fixture when not in use. If this is not practical, store moveable soccer goals in a place where children cannot have access to them.
10. Fully disassemble goals for seasonal storage.



All Kwik Goal products carry a **Lifetime Guarantee**. For help with guarantee issues visit www.kwikgoal.com and click on the **Lifetime Guarantee** logo or contact customer service at 1-800-531-4252.

ASSEMBLY INSTRUCTIONS FOR 2P201 OFFICIAL FUTSAL GOAL

1. Unpack all parts and check for damage that may have occurred during shipping. If damage has occurred, notify trucking company immediately. Wet or damp packaging may damage contents.
2. All hardware is in a separate box shipped with goals.
3. Lay out right arm assembly (B) and left arm assembly (A) face down on ground, and attach eye bolt to back drop on left and right arms. See figure 1.
4. Insert channel spacers (E) into channel on each end of top rail (C). Connect rail with 3/8" hex bolts. See figure 1. **NOTE:** Be sure to coat threads on all bolts with anti-seize compound before fastening.
CAUTION: DO NOT OVER-TIGHTEN BOLTS.
5. Attach back bottom bar (D) to floor shoe using 3/8" flat head bolt in floor shoe and fasten using 3/8" lock washers, 3/8" flat washer, and 3/8" hex nuts. See figure 2.
6. For indoor use, anchor goal to floor through holes located in floor shoes or place four anchor bags (G) in accordance with figure 4. Anchor bags must weigh a minimum of 40 lbs. each. Be sure to fasten anchor bags to goal using attached strap. Note: For outdoor applications, continue with steps 7 through 14. For indoor use, skip to step 13.
7. At this time, set goal in desired area and mark ground anchor hole location.
8. Move goal and dig holes a minimum of 24" in diameter and 20" deep. Areas subject to heavy ground frost may require holes to be as deep as 36".
9. Apply a liberal amount of anti-seize compound or high quality waterproof grease to ground anchor bolts prior to insertion. Attach ground anchors to shoe and secure with coated bolts. See figure 5. Set goal in installation location with anchors in holes and fill holes surrounding anchors with concrete.
10. At this time, be sure your goal is plumb and level to field surface. See figure 3.
11. **GOAL MUST BE ANCHORED AT ALL TIMES.** This promotes safety and prevents bow or arch in the top rail.
12. Allow concrete to fully cure.

CAUTION: GOALS MUST BE PROPERLY ANCHORED OR STORED AT ALL TIMES.

13. Place net (I) over goal and attach using net clips (H). Lock net clips (H) into place by turning 90 degrees. Attach rope at top rear of net (I) to eye bolts. See figures 6 and 7. **Caution: Do not attempt to climb on goal while attaching net (I).**

14. When removing goal from field location, be sure to disassemble and store in a safe place to prevent injury. (See Guidelines for Moveable Soccer Goal Safety, included). Insert red ground anchor caps into exposed ground anchor hole to prevent damage to threads.

PARTS LIST FOR ONE GOAL

		<u>Hardware</u>	
A.	Left Arm Assembly	(1)	3/8" X 1 1/4" Hex Bolts (4)
B.	Right Arm Assembly	(1)	3/8" Flat Washer (6)
C.	Top Rail	(1)	3/8" Lock Washer (6)
D.	Back Bottom Bar	(1)	3/8" X 3" Flat Head Bolt (2)
E.	Channel Spacer	(2)	3/8" Hex Nut (2)
F.	Ground Anchors w/Bolts & Washers	(4)	1/4" X 2" Eye Bolt (2)
G.	Anchor Bag	(4)	1/4" Lock Nut (2)
H.	Net Clips		1/4" Flat Washer (2)
I.	Net	(1)	

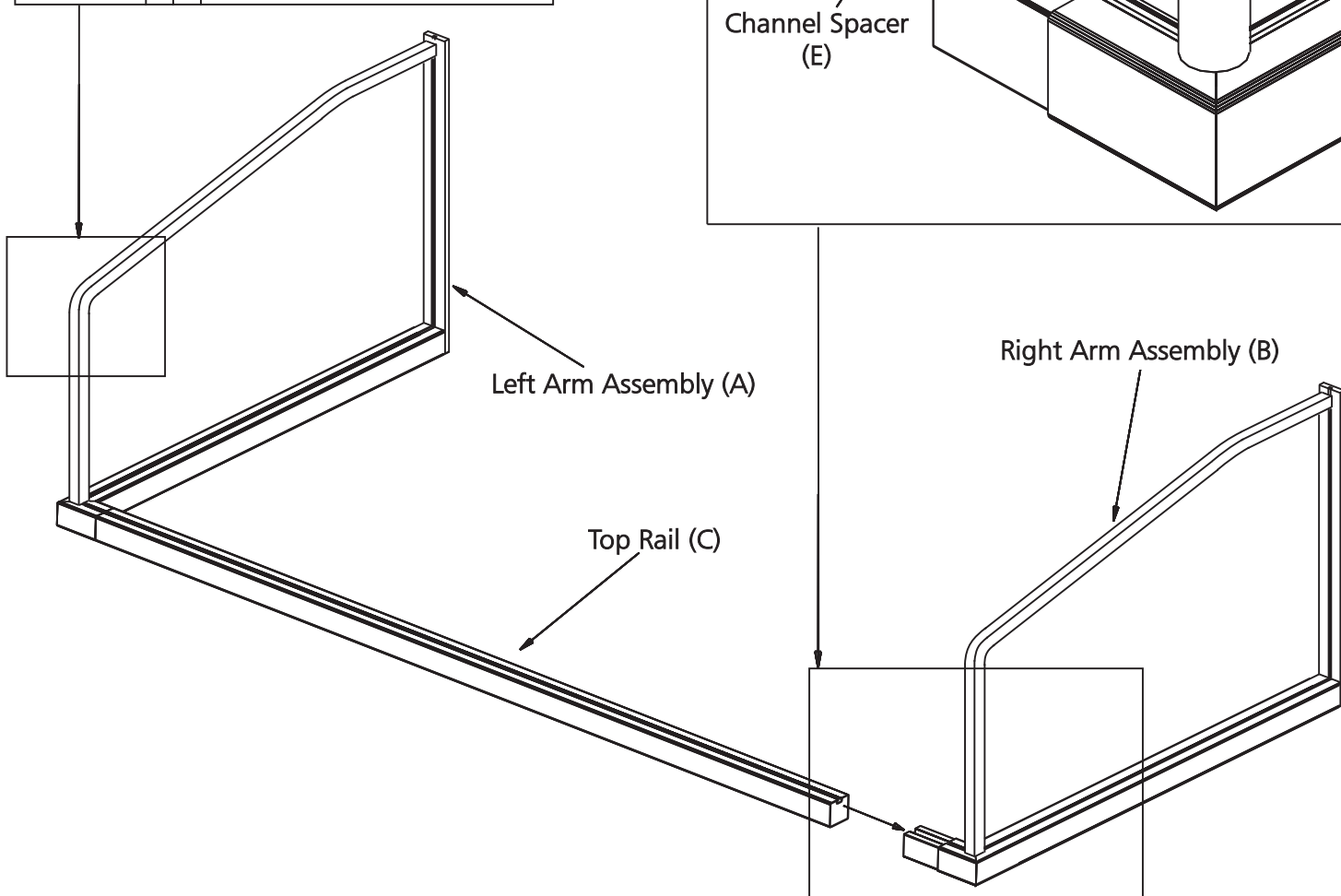
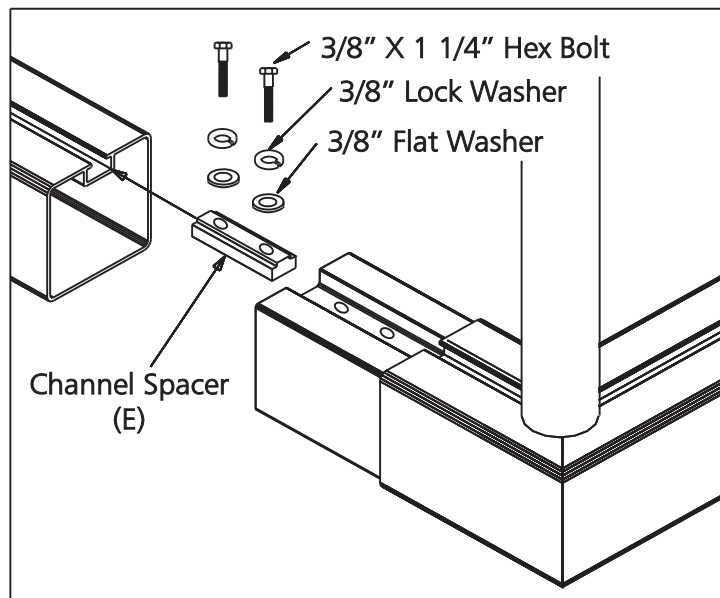
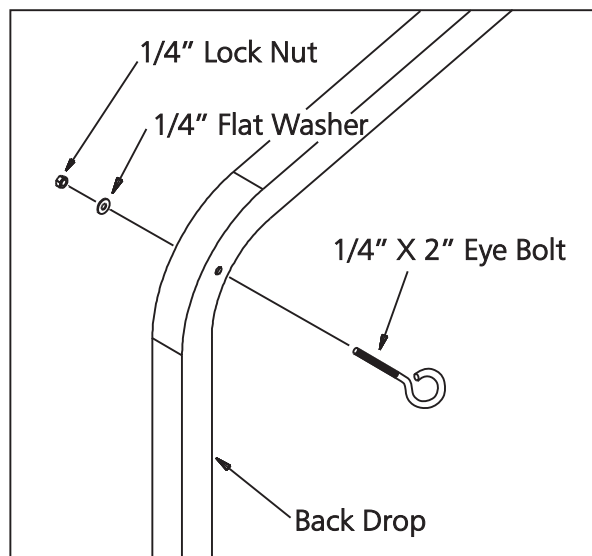
*****CAUTION*****

This goal has been designed to be used for the game of soccer only. Goal posts must be anchored AT ALL TIMES and shall be secured against tilting. Do not climb on the net or goal framework at anytime!

All fastenings must be checked to insure they are fully tightened before and after each use of this product. Goal posts not in use must be disassembled and properly stored in a safe, secure area. (See

Guidelines for Moveable Soccer Goal Safety, included.) Assembled goal posts should not be left unattended. Remove nets when goals are not in use. Do not use this equipment during the threat of high winds. Goal posts should be checked for safety before and after each use. All warning and safety labels included with this product must be visible at all times. Any modifications to this or any Kwik Goal product will void any and all warranties.

Fig. 1



*****CAUTION*****

This goal has been designed to be used for the game of soccer only. Goal posts must be anchored **AT ALL TIMES** and shall be secured against tilting. Do not climb on the net or goal framework at anytime! All fastenings must be checked to insure they are fully tightened before and after each use of this product. Goal posts not in use must be disassembled and properly stored in a safe, secure area. (See Guidelines for Moveable Soccer Goal Safety, included.) Assembled goal posts should not be left unattended. Remove nets when goals are not in use. Do not use this equipment during the threat of high winds. Goal posts should be checked for safety before and after each use. All warning and safety labels included with this product must be visible at all times. Any modifications to this or any Kwik Goal product will void any and all warranties.

Fig. 2

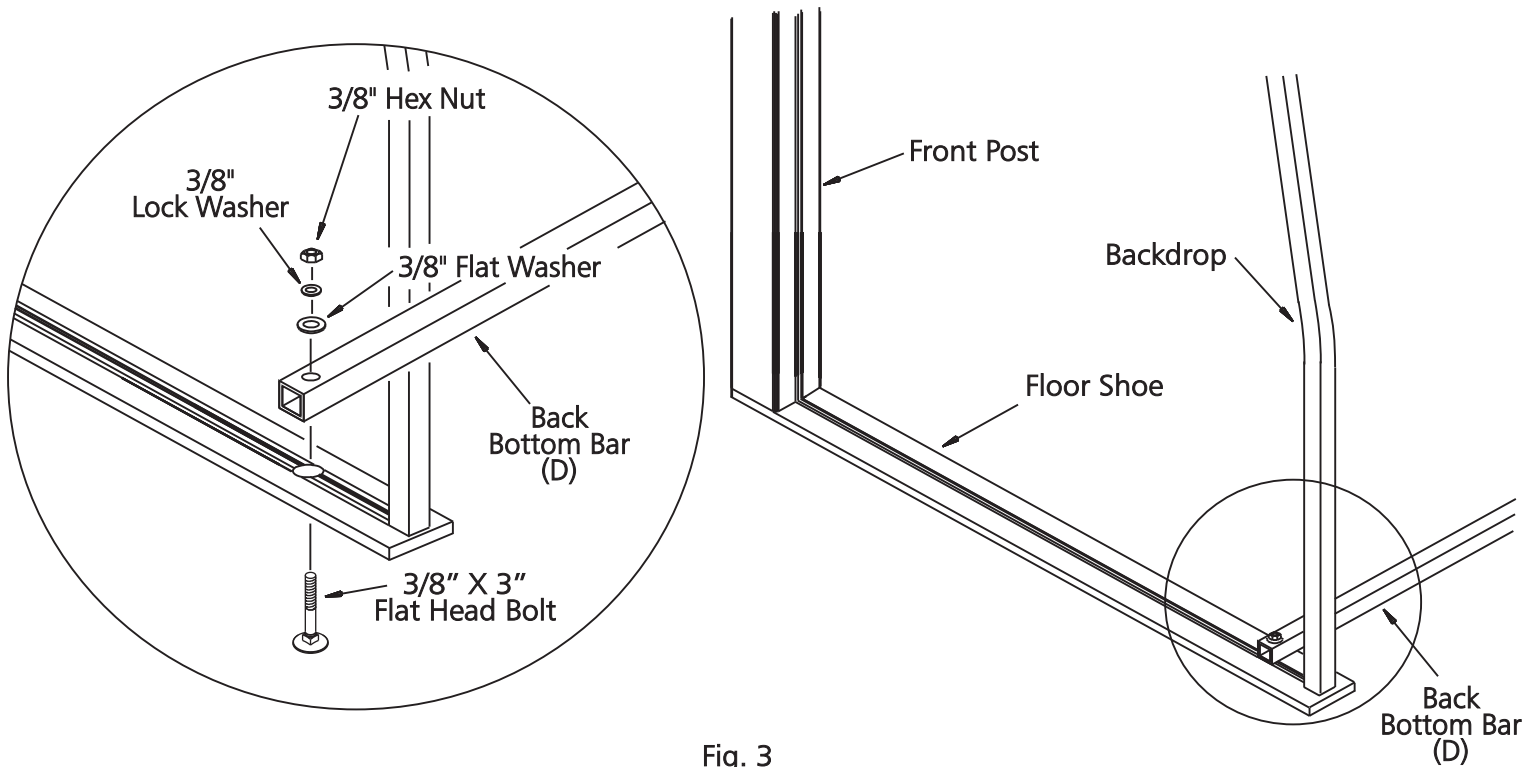
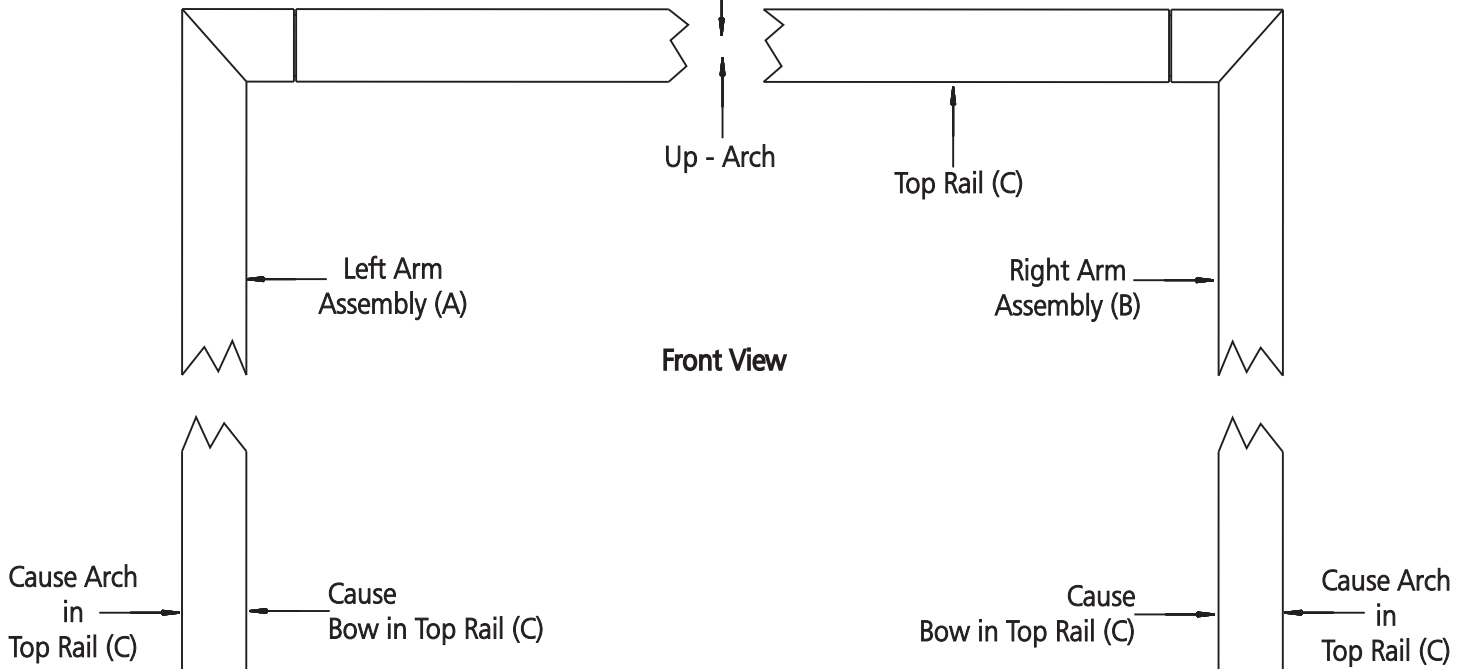


Fig. 3
Down - Bow

Up - Arch

Front View



*****CAUTION*****

This goal has been designed to be used for the game of soccer only. Goal posts must be anchored AT ALL TIMES and shall be secured against tilting. Do not climb on the net or goal framework at anytime! All fastenings must be checked to insure they are fully tightened before and after each use of this product. Goal posts not in use must be disassembled and properly stored in a safe, secure area. (See Guidelines for Moveable Soccer Goal Safety, included.) Assembled goal posts should not be left unattended. Remove nets when goals are not in use. Do not use this equipment during the threat of high winds. Goal posts should be checked for safety before and after each use. All warning and safety labels included with this product must be visible at all times. Any modifications to this or any Kwik Goal product will void any and all warranties.

Fig. 4

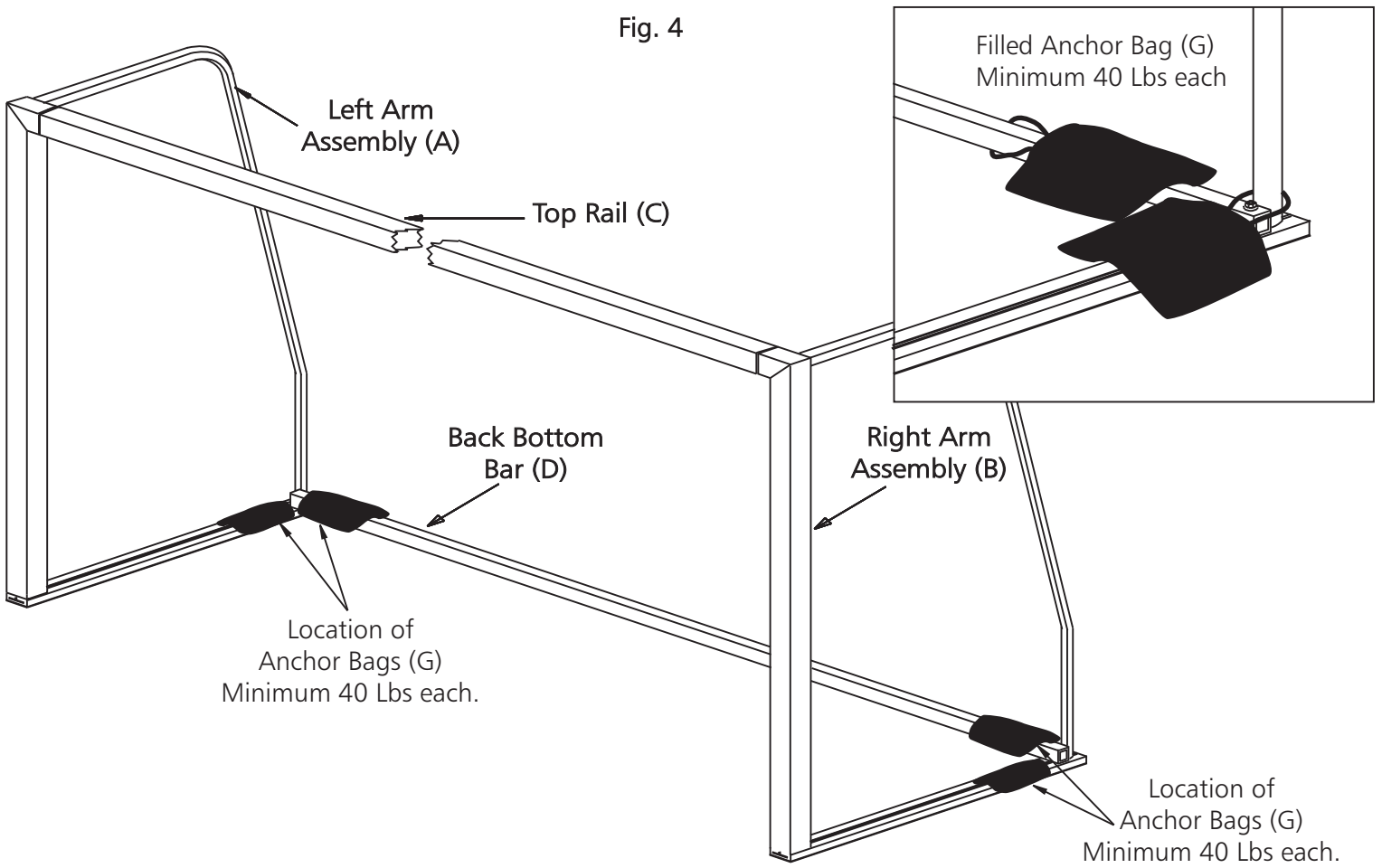
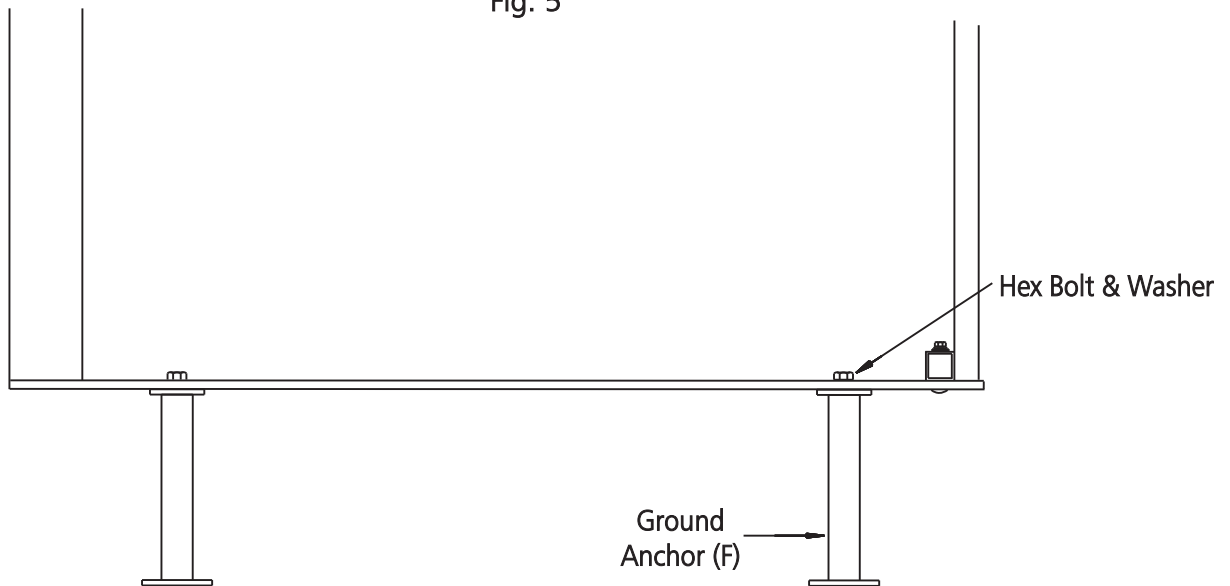


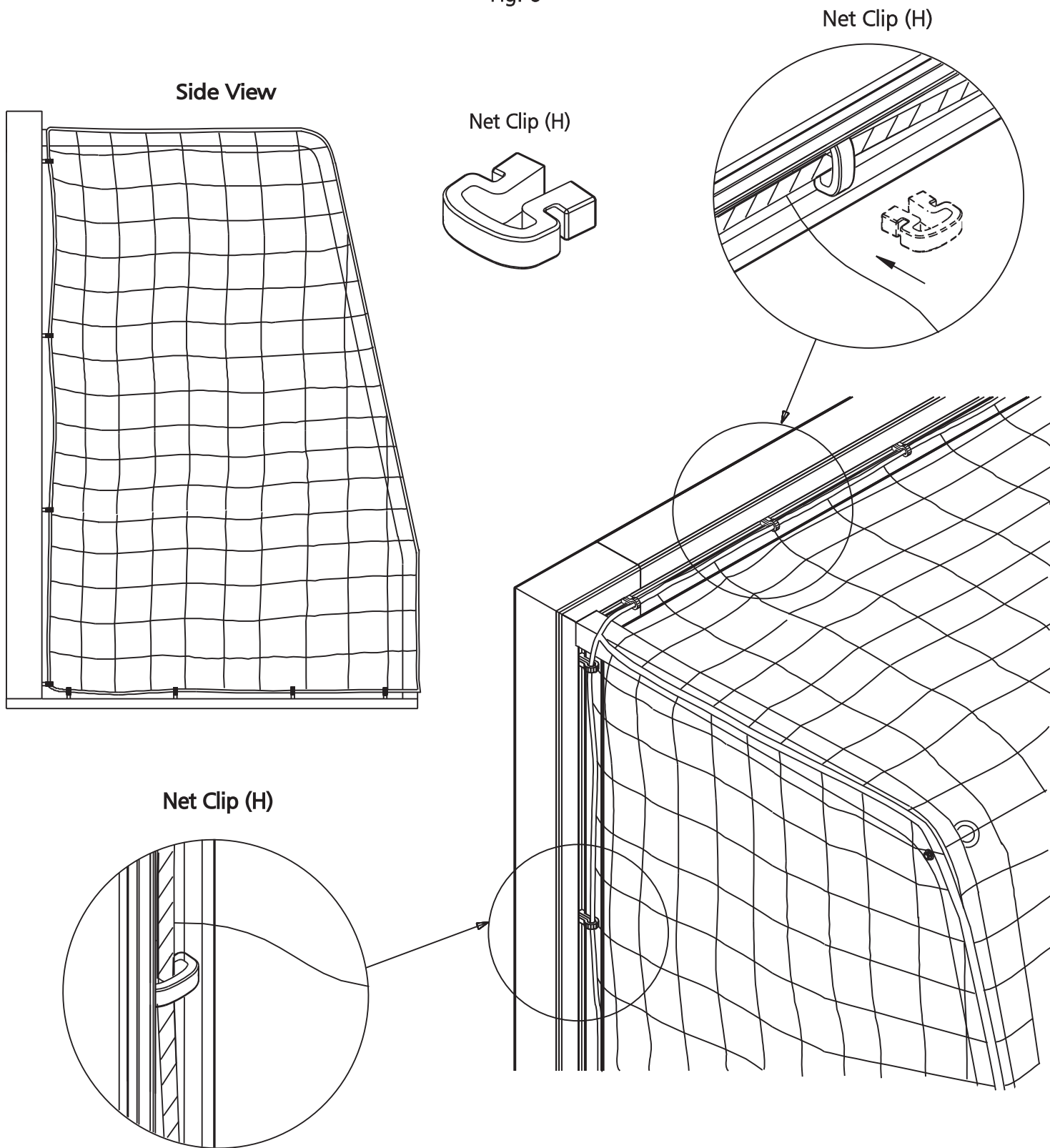
Fig. 5



*****CAUTION*****

This goal has been designed to be used for the game of soccer only. Goal posts must be anchored AT ALL TIMES and shall be secured against tilting. Do not climb on the net or goal framework at anytime! All fastenings must be checked to insure they are fully tightened before and after each use of this product. Goal posts not in use must be disassembled and properly stored in a safe, secure area. (See Guidelines for Moveable Soccer Goal Safety, included.) Assembled goal posts should not be left unattended. Remove nets when goals are not in use. Do not use this equipment during the threat of high winds. Goal posts should be checked for safety before and after each use. All warning and safety labels included with this product must be visible at all times. Any modifications to this or any Kwik Goal product will void any and all warranties.

Fig. 6



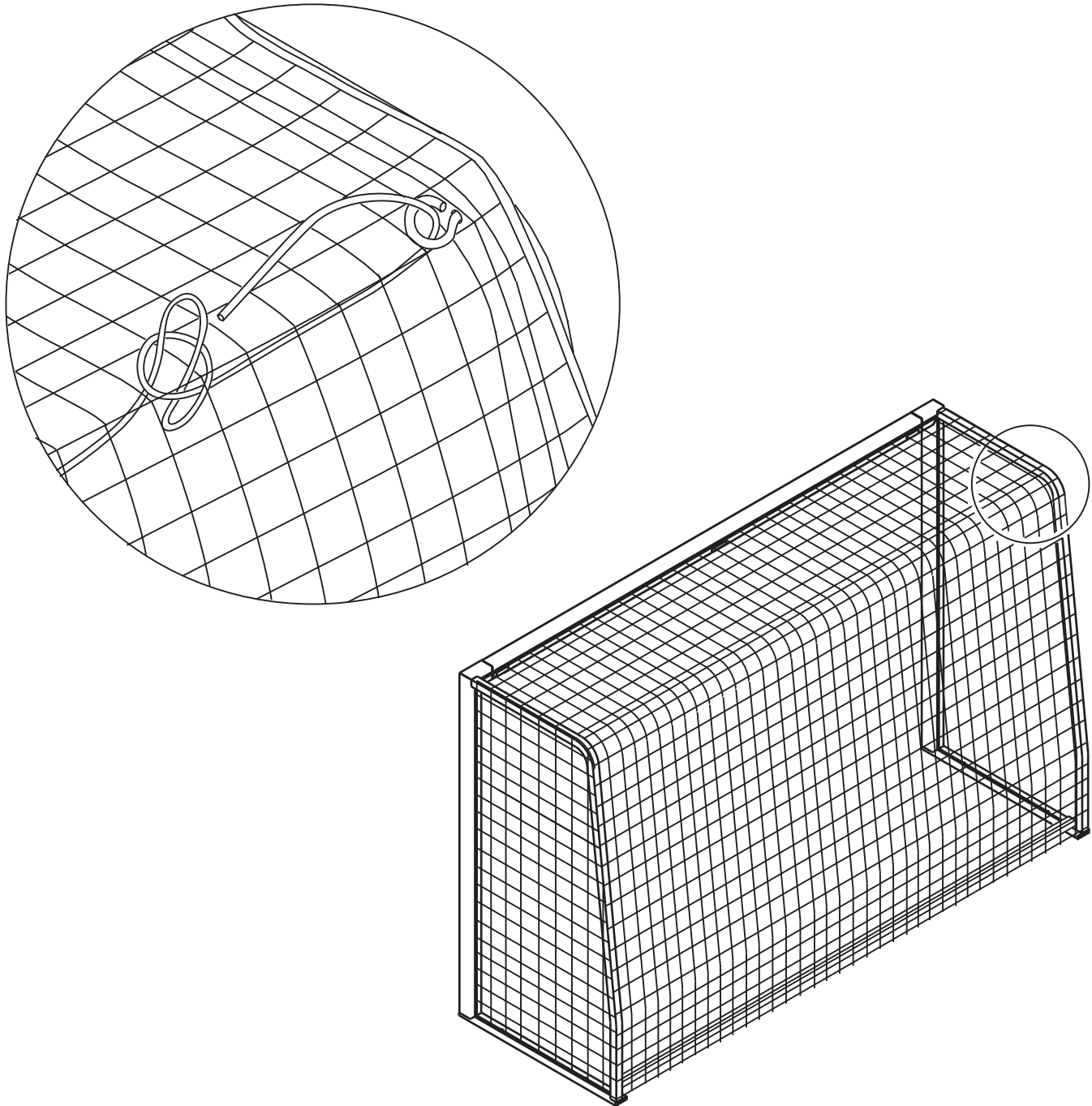
*****CAUTION*****

This goal has been designed to be used for the game of soccer only. Goal posts must be anchored AT ALL TIMES and shall be secured against tilting. Do not climb on the net or goal framework at anytime! All fastenings must be checked to insure they are fully tightened before and after each use of this product. Goal posts not in use must be disassembled and properly stored in a safe, secure area. (See Guidelines for Moveable Soccer Goal Safety, included.) Assembled goal posts should not be left unattended. Remove nets when goals are not in use. Do not use this equipment during the threat of high winds. Goal posts should be checked for safety before and after each use. All warning and safety labels included with this product must be visible at all times. Any modifications to this or any Kwik Goal product will void any and all warranties.

Fig. 7

IMPORTANT

Net must be installed correctly if goal is to look and perform as designed.



*****CAUTION*****

This goal has been designed to be used for the game of soccer only. Goal posts must be anchored AT ALL TIMES and shall be secured against tilting. Do not climb on the net or goal framework at anytime!

All fastenings must be checked to insure they are fully tightened before and after each use of this product. Goal posts not in use must be disassembled and properly stored in a safe, secure area. (See Guidelines for Moveable Soccer Goal Safety, included.) Assembled goal posts should not be left unattended. Remove nets when goals are not in use. Do not use this equipment during the threat of high winds. Goal posts should be checked for safety before and after each use. All warning and safety labels included with this product must be visible at all times. Any modifications to this or any Kwik Goal product will void any and all warranties.