

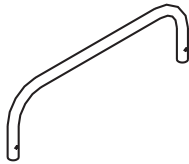


All Kwik Goal products carry a **Lifetime Guarantee**. For help with guarantee issues visit [www.kwikgoal.com](http://www.kwikgoal.com) and click on the **Lifetime Guarantee** logo or contact customer service at 1-800-531-4252.

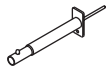
## INITIAL ASSEMBLY INSTRUCTIONS FOR 16B1401 1 STEP® GOAL KIT

### PARTS LIST

Part A - 2 pieces  
(Top Tube)



Part B - 4 pieces  
(Ground Shoe)



Part C - 2 pieces  
(Net)

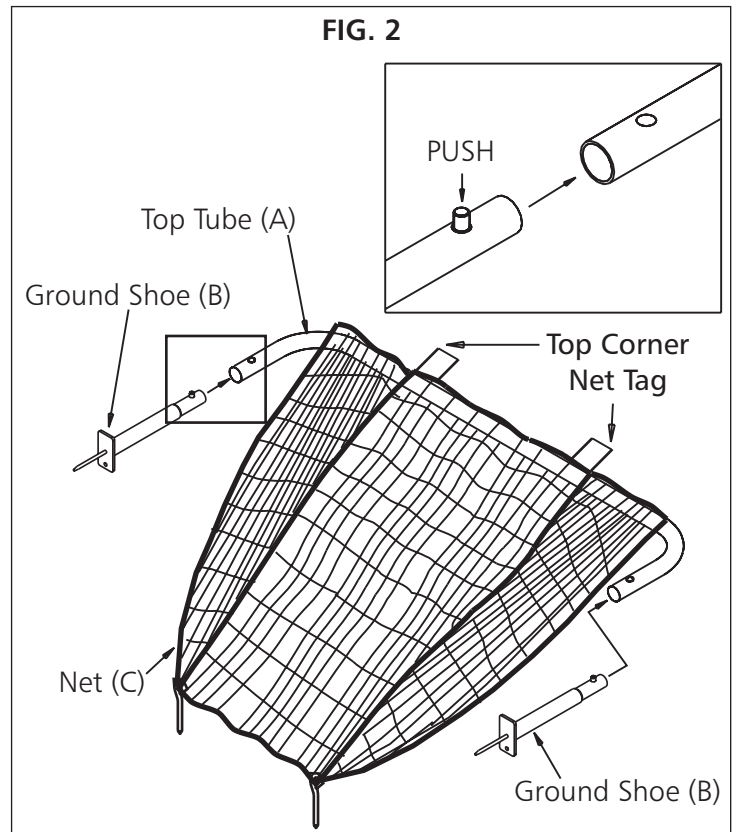
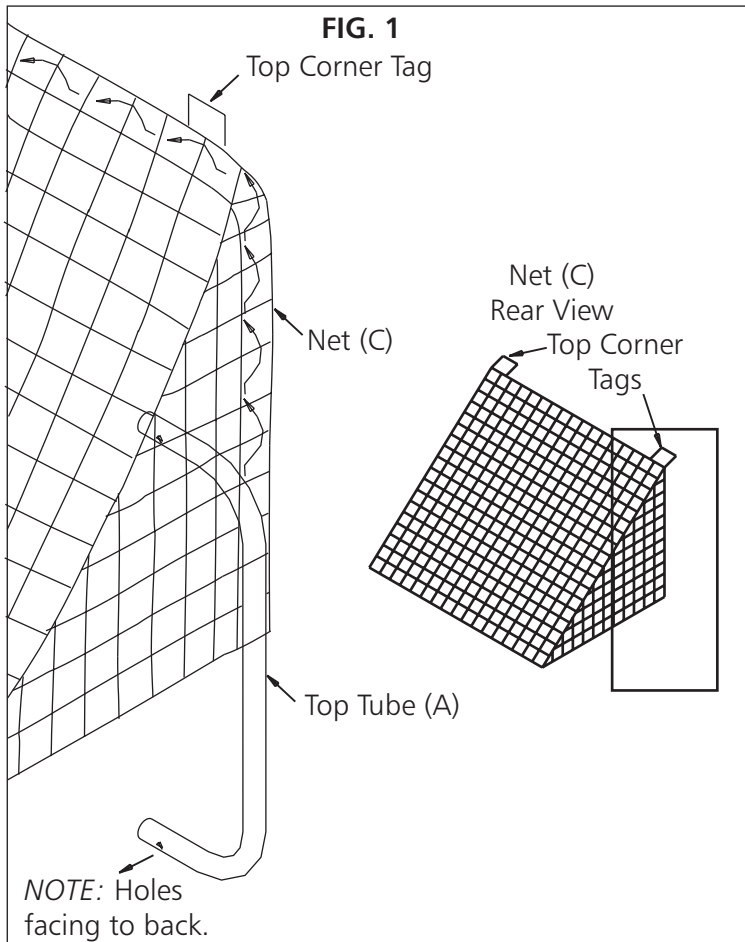
Part D - 4 pieces  
(Cable Ties)

Part E - 1 piece  
(Carry Bag)

Unpack all parts. Layout all pieces on ground in assembly order.

1. Weave top tube (A) net (C) as shown in figure 1. Be sure to note the location of the top corner net tags.

2. Push net (C) to center of top tube (A), and attach ground shoe (B). See figure 2.



3. Spread net over ground shoes (B) to plate. Attach net (C) to ground shoe plate with cable tie (D), as shown in figures 3, 4, and 5.

FIG. 3

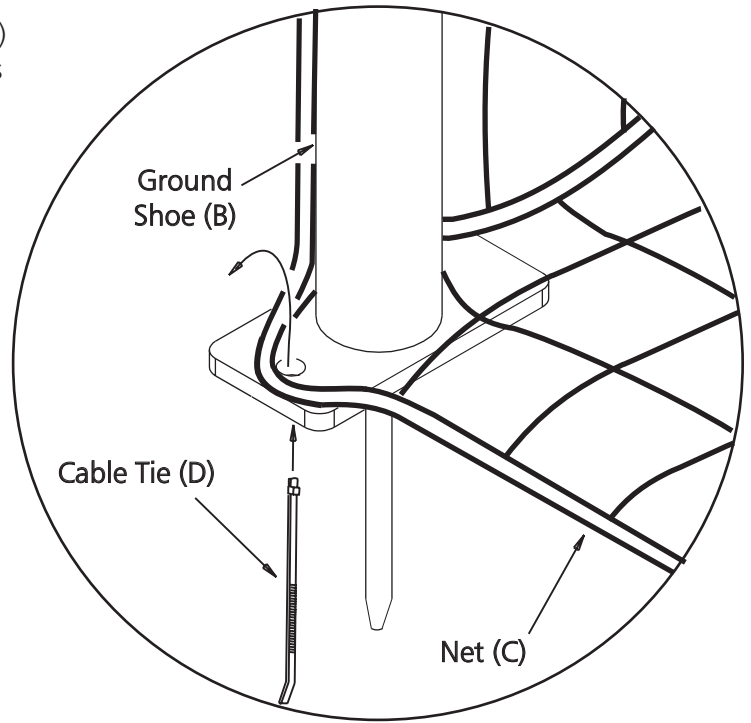
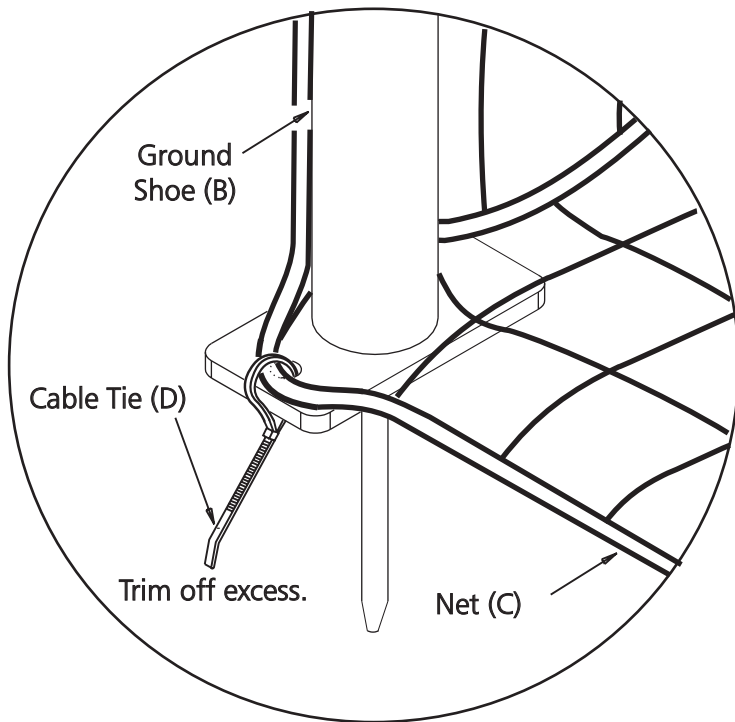


FIG. 4



4. Place assembled 1 Step<sup>®</sup> goal in desired location by pushing ground shoe pegs into ground. Anchor net (C) to ground with net anchor pegs. See figure 5.

FIG. 5

