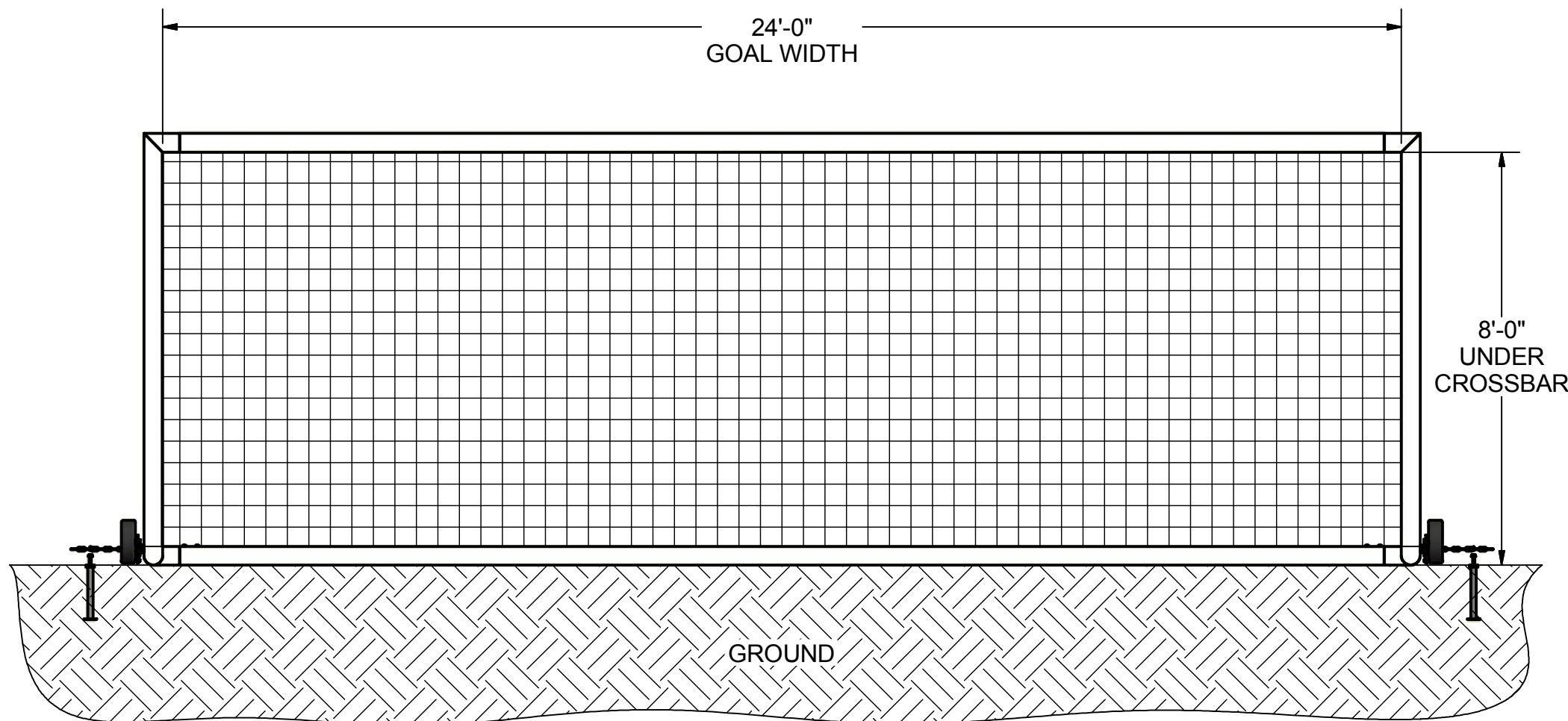
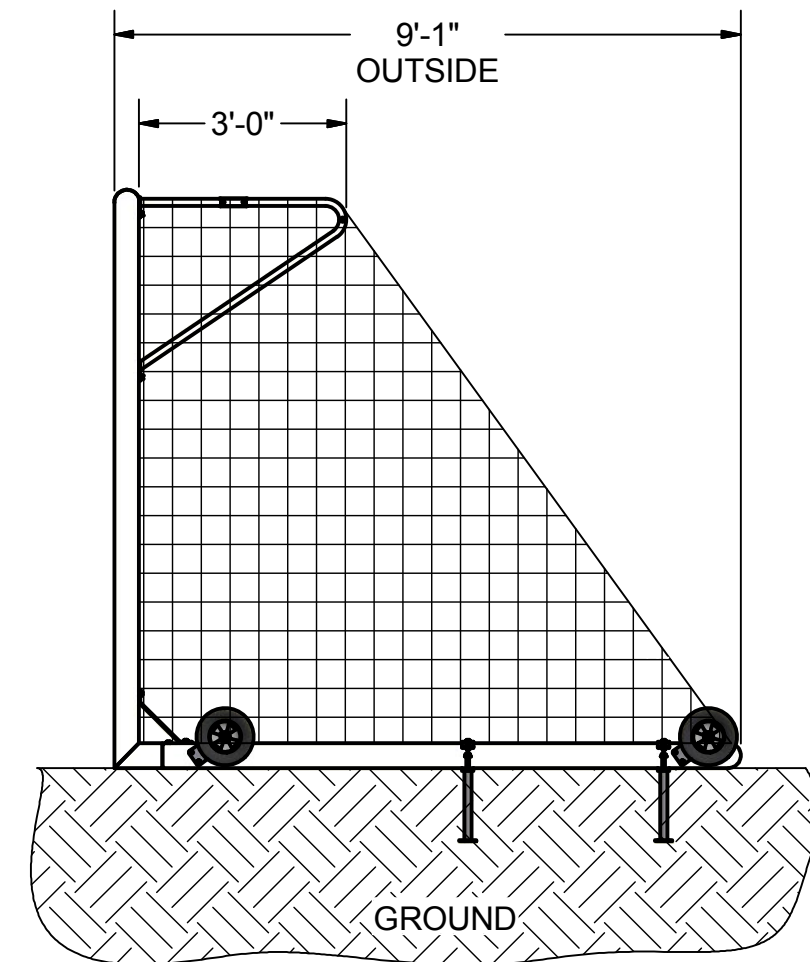


FRONT VIEW



SIDE VIEW



FEATURES:

1) ALUMINUM GOAL FRAME AND BACKSTAYS

2) FINISH: WHITE POWDER COAT

3) INCLUDED:

SEMIPERMANENT GROUND ANCHORS

3 mm, 2" MESH, WHITE NET

TAMPER RESISTANT NET CLIPS

TAMPER RESISTANT STAINLESS STEEL HARDWARE

4 NO-FLAT TIRES

4) ASSEMBLED GOAL WEIGHT: 260 LBS.

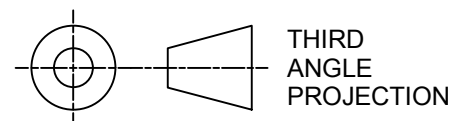
5) EXCEEDS:

NCAA SPECIFICATIONS

NFHS SPECIFICATIONS

ASTM F2950-14 STANDARDS

APPROVED BY CITY OF MONTREAL



**KWIKGOAL**® 140 Pacific Drive  
Quakertown,  
Pa. 18951

DIMENSIONS ARE IN INCHES  
UNLESS OTHERWISE SPECIFIED

Approved By:

Part #:

Date:

25B05

This item is the **exclusive**  
property of **KWIK GOAL LTD.**  
Reproduction or duplication  
**without** the express written  
consent of **KWIK GOAL LTD.**  
is **strictly forbidden.**

Drawn By: brush

Desc:

Date: 3/5/2003

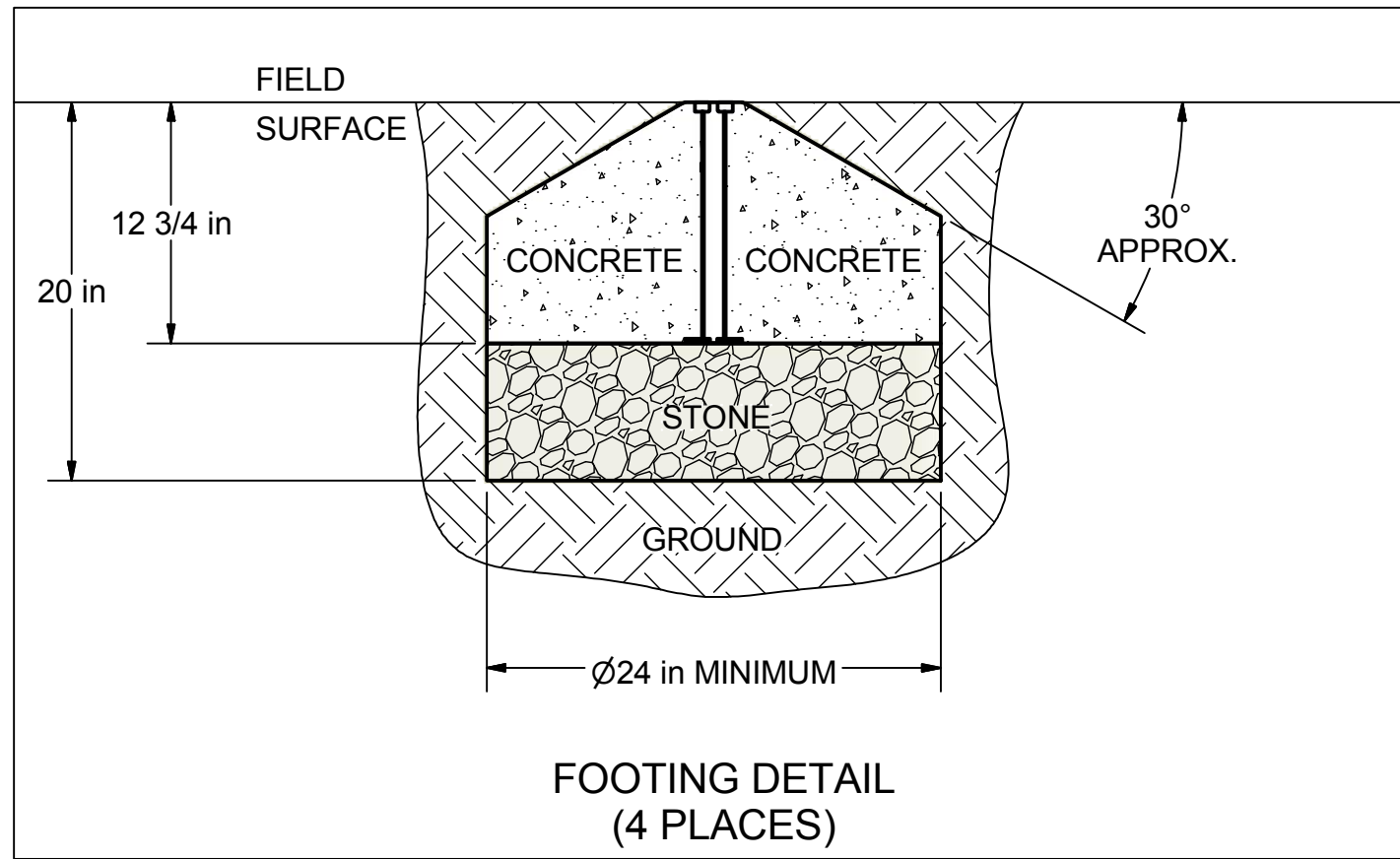
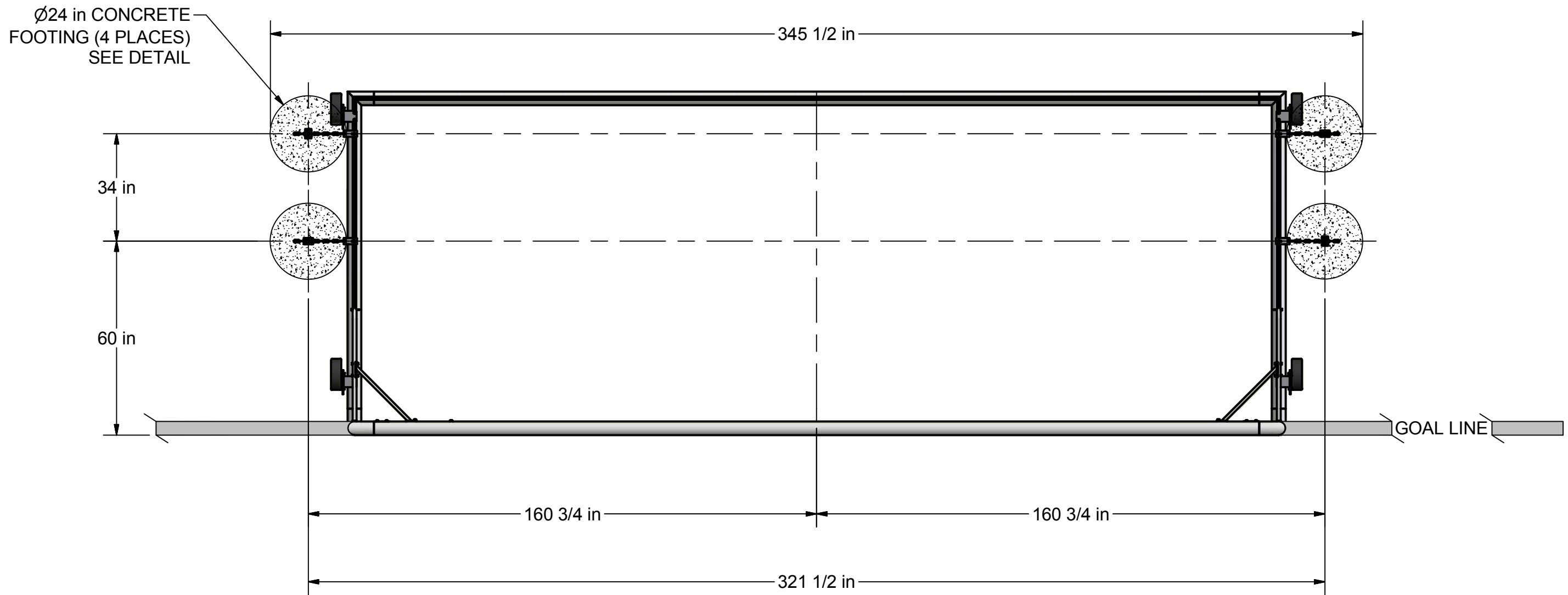
8' X 24' CANADIAN PRO  
PREMIER EURO

Sheet: 1 of 4

Revision #: 4

Cad File: 25B05.idw

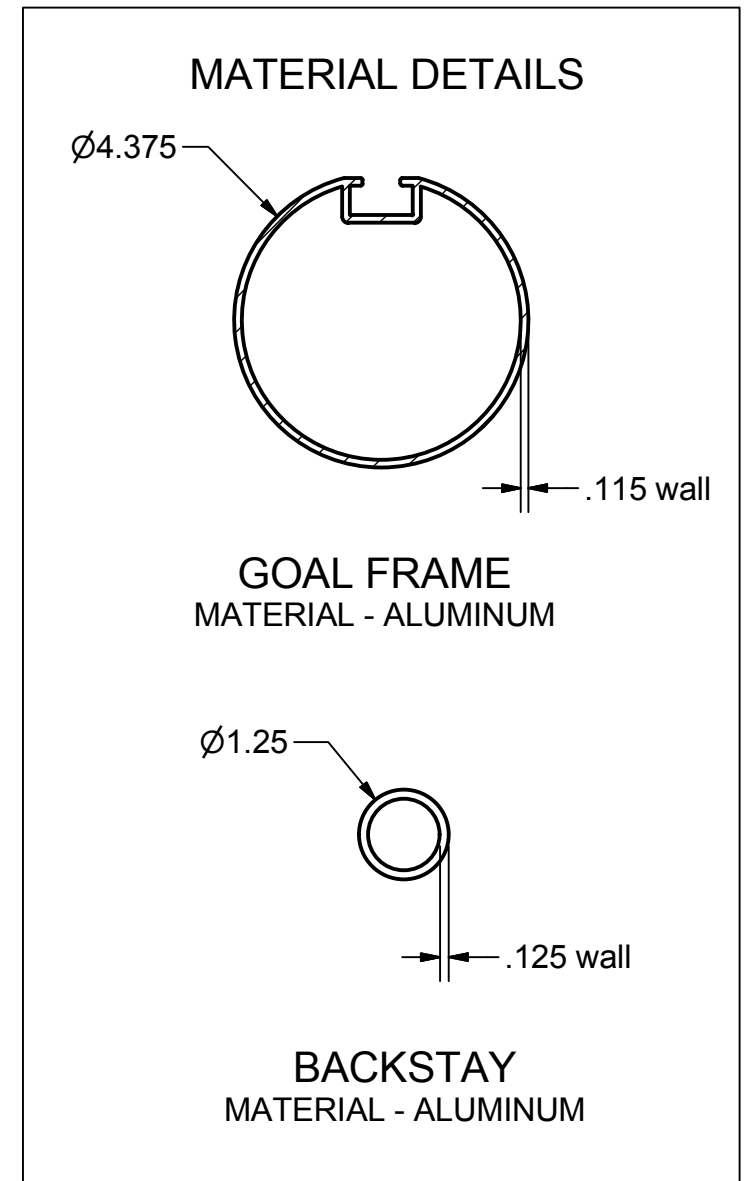
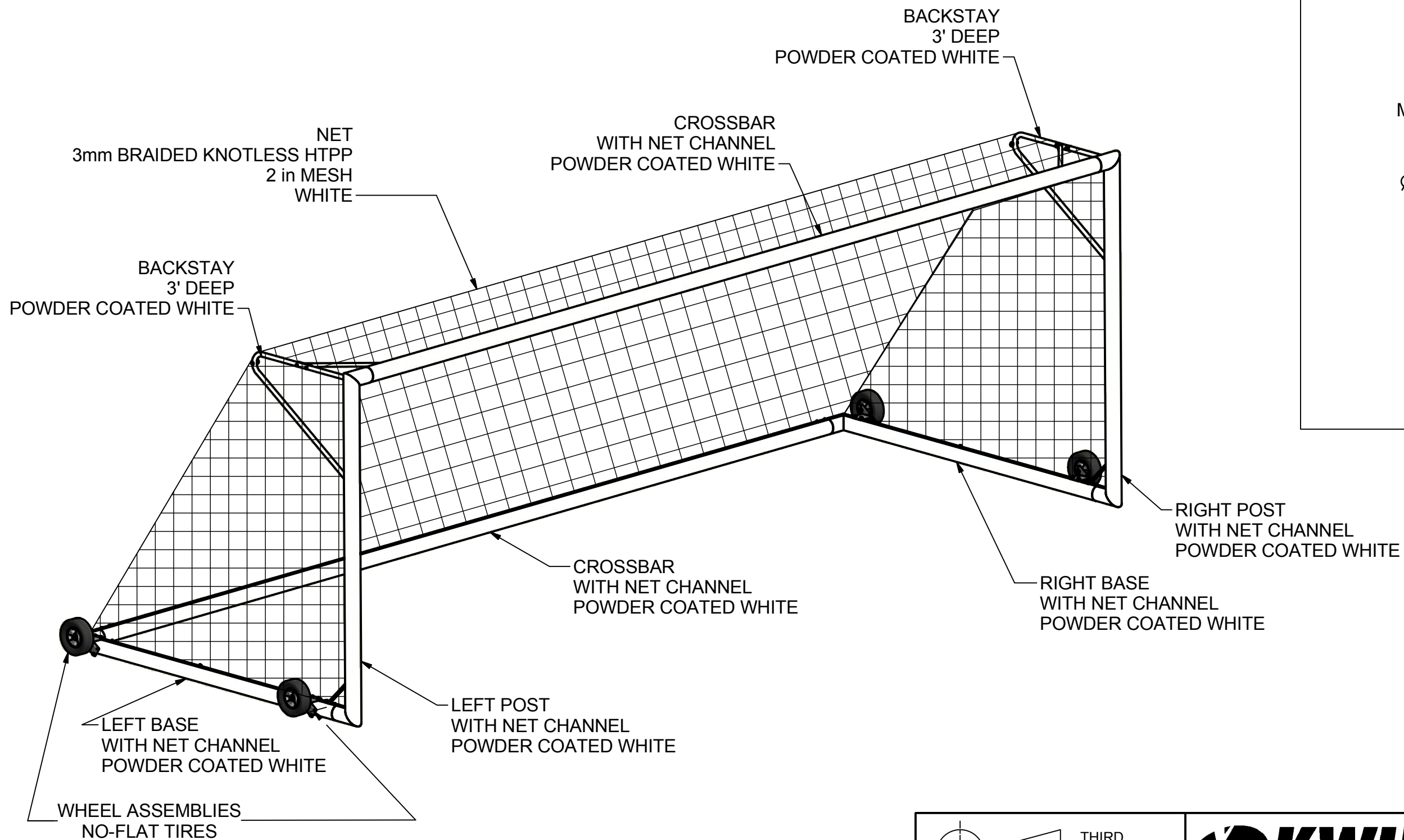
OVERHEAD VIEW



NOTES:

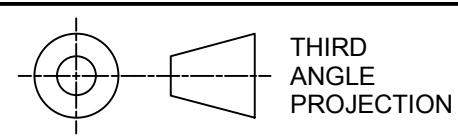
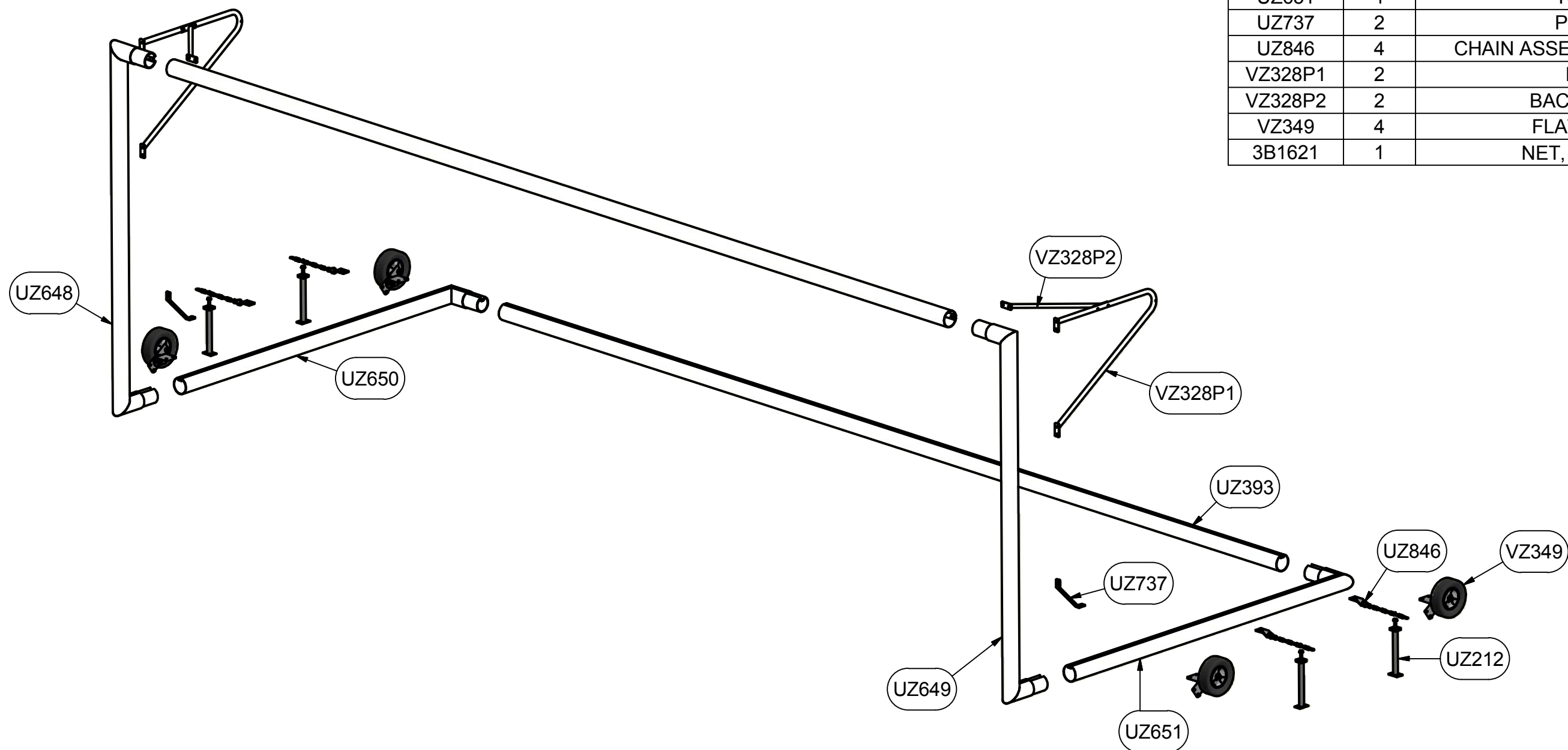
- 1) DIMENSIONS ARE FOR PLANNING PURPOSES. INSTALLATION MUST BE IN ACCORDANCE WITH INSTALLATION INSTRUCTIONS.
- 2) CUSTOMER SUPPLIED MATERIALS FOR GOAL INSTALLATION
  - 0.5 cubic yard - CONCRETE
  - 0.3 cubic yard - CLEAN STONE (1/4" - 3/4")
 ABOVE AMOUNTS ARE PER GOAL INSTALLATION

THIRD ANGLE PROJECTION	140 Pacific Drive Quakertown, Pa. 18951	
	DIMENSIONS ARE IN INCHES UNLESS OTHERWISE SPECIFIED	Approved By: Date:
This item is the <b>exclusive</b> property of <b>KWIK GOAL LTD.</b> Reproduction or duplication <b>without</b> the express written consent of <b>KWIK GOAL LTD.</b> is <b>strictly forbidden.</b>	Drawn By: brush	Desc: 8' X 24' CANADIAN PRO PREMIER EURO
	Date: 3/5/2003	
	Sheet: 2 of 4	
	Revision #: 4	
Cad File: 25B05.idw		



<p>THIRD ANGLE PROJECTION</p>	<p>140 Pacific Drive Quakertown, Pa. 18951</p>	
	<p>DIMENSIONS ARE IN INCHES UNLESS OTHERWISE SPECIFIED</p>	<p>Approved By:</p> <p>Date:</p>
<p>This item is the <b>exclusive</b> property of <b>KWIK GOAL LTD.</b> Reproduction or duplication <b>without</b> the express written consent of <b>KWIK GOAL LTD.</b> is <b>strictly forbidden.</b></p>	<p>Drawn By: brush</p>	<p>Desc:</p> <p>8' X 24' CANADIAN PRO PREMIER EURO</p>
	<p>Date: 3/5/2003</p>	
	<p>Sheet: 3 of 4</p>	
	<p>Revision #: 4</p>	
<p>Cad File: 25B05.idw</p>		

Parts List		
Part #	Qty	Description
UZ212	4	GROUND ANCHOR ASSEMBLY
UZ393	2	CROSSBAR
UZ648	1	LEFT POST
UZ649	1	RIGHT POST
UZ650	1	LEFT BASE
UZ651	1	RIGHT BASE
UZ737	2	POST BRACE
UZ846	4	CHAIN ASSEMBLY, GRND ANCHOR
VZ328P1	2	BACKSTAY
VZ328P2	2	BACKSTAY BRACE
VZ349	4	FLAT PROOF TIRE
3B1621	1	NET, SOCCER GOAL



**KWIKGOAL**® 140 Pacific Drive  
Quakertown, Pa. 18951

DIMENSIONS ARE IN INCHES  
UNLESS OTHERWISE SPECIFIED

Approved By:  
Date:

Part #:  
**25B05**

This item is the **exclusive** property of **KWIK GOAL LTD.** Reproduction or duplication **without** the express written consent of **KWIK GOAL LTD.** is **strictly forbidden.**

Drawn By: brush  
Date: 3/5/2003  
Sheet: 4 of 4  
Revision #: 4  
Cad File: 25B05.idw

Desc:  
8' X 24' CANADIAN PRO  
PREMIER EURO