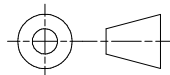



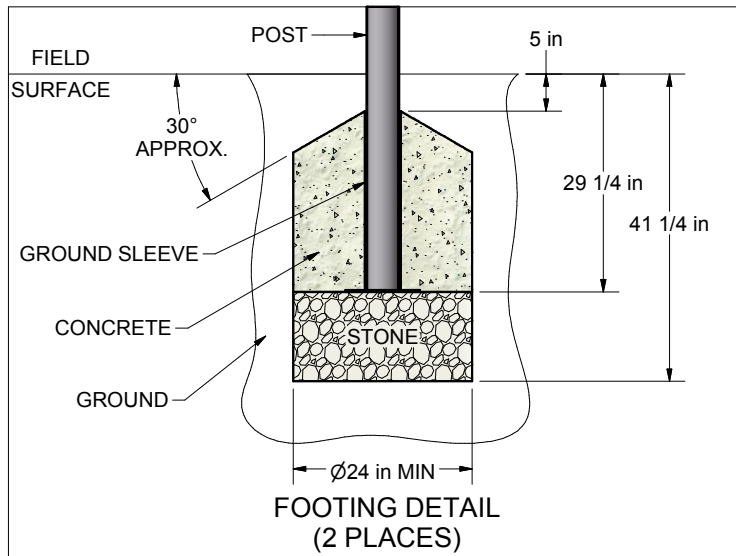
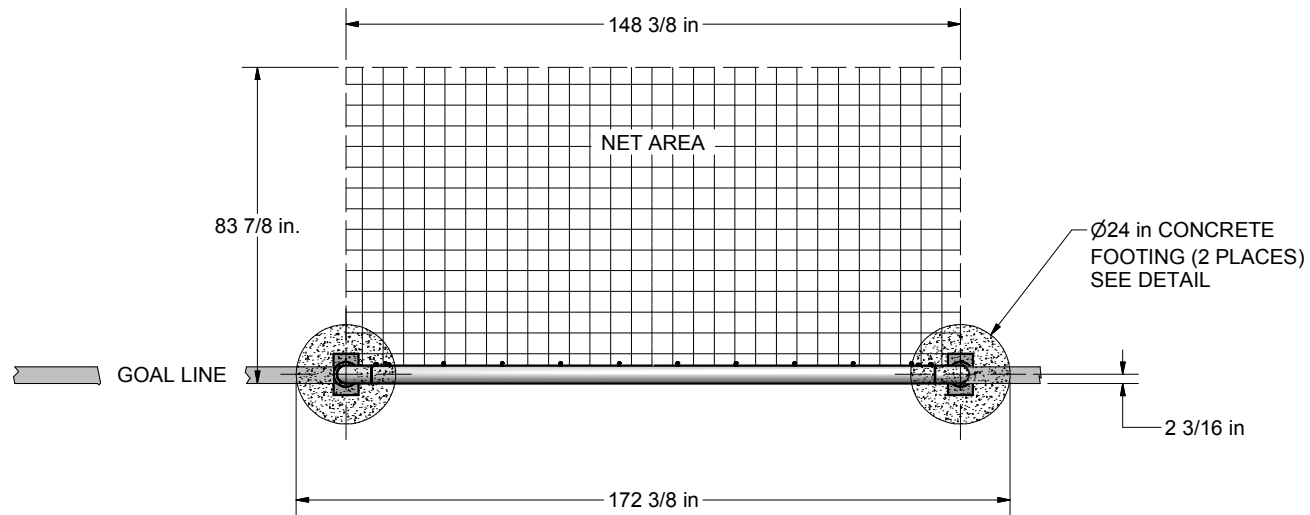
FEATURES:

- 1) ALUMINUM POSTS, RAIL, AND GROUND SLEEVES
- 2) FINISH:
GOAL FRAME - WHITE POWDER COAT
GROUND SLEEVES - MILL FINISH
- 3) NET, NET PEGS AND CLIPS INCLUDED
- 4) GROUND SLEEVES FOR POSTS INCLUDED
- 5) ASSEMBLED WEIGHT GOAL: 75 LBS.

Finish Info.

 THIRD ANGLE PROJECTION	 140 Pacific Drive Quakertown, Pa. 18951	
DIMENSIONS ARE IN INCHES UNLESS OTHERWISE SPECIFIED This item is the exclusive property of KWIK GOAL LTD. Reproduction or duplication without the express written consent of KWIK GOAL LTD. is strictly forbidden.	Approved By:	25B803
	Date:	
	Drawn By: CSpeck	Desc: 6 1/2' X 12' CANADIAN ECONO GOAL
	Date: 6/14/2010	
Sheet: 1 of 4		
Revision #: 1	Cad File: 25B803.idw	

OVERHEAD VIEW



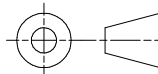

NOTES:

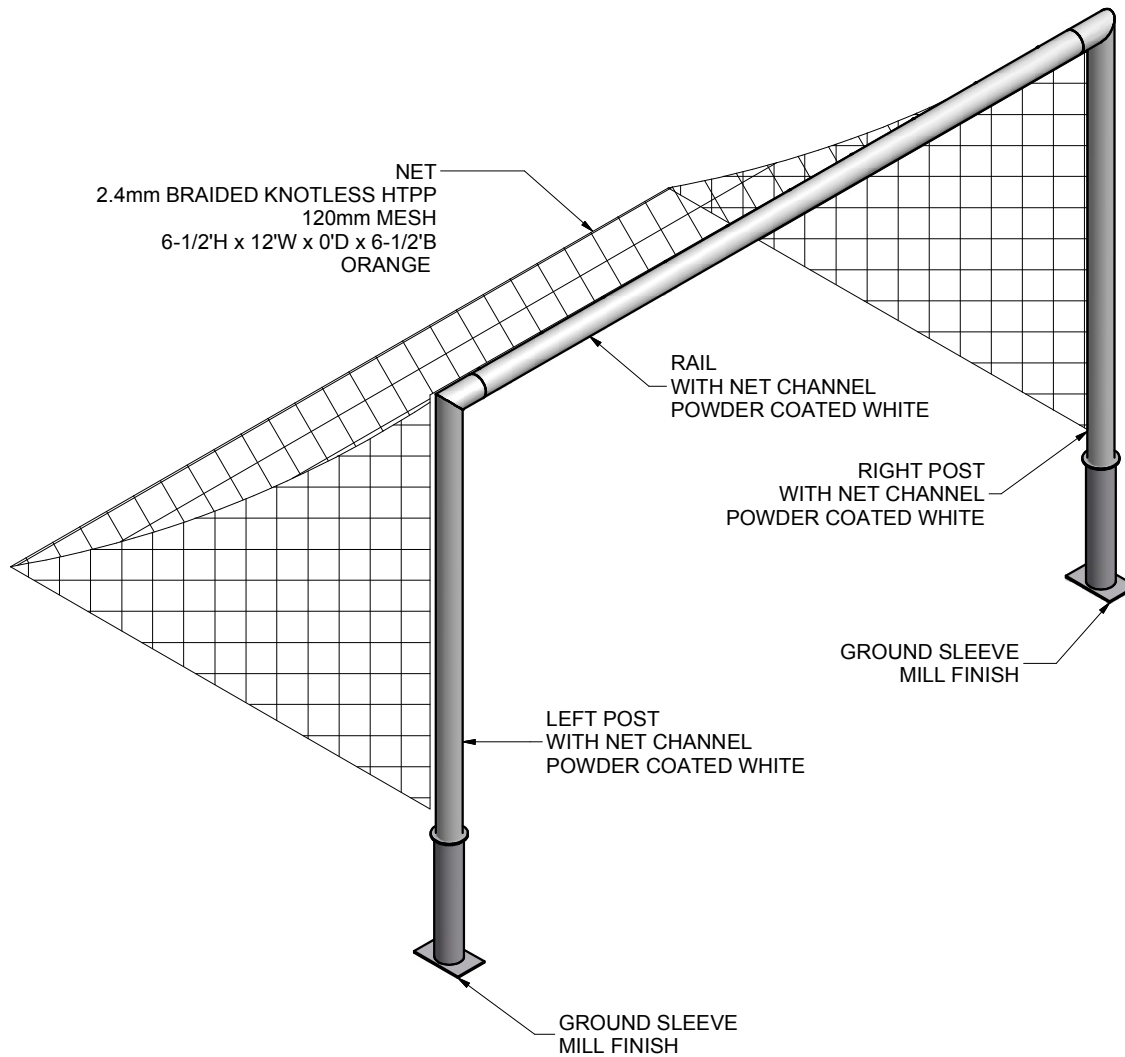
- 1) DIMENSIONS ARE FOR PLANNING PURPOSES. INSTALLATION MUST BE IN ACCORDANCE WITH INSTALLATION INSTRUCTIONS.

MATERIAL REQUIRED, BUT **NOT** SUPPLIED

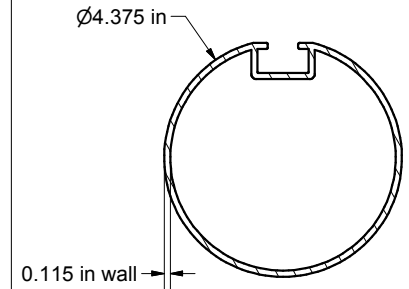
0.5 cubic yard - CONCRETE
 0.3 cubic yard - CLEAN STONE (1/4" - 3/4")
 ABOVE AMOUNTS ARE PER GOAL INSTALLATION

Finish Info.

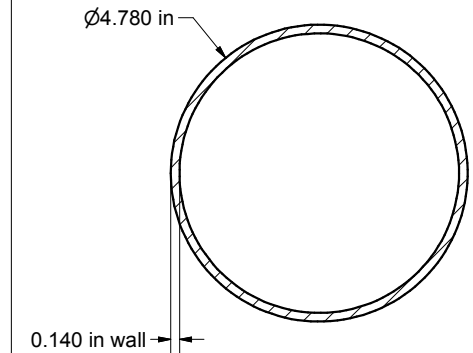
 THIRD ANGLE PROJECTION	 140 Pacific Drive Quakertown, Pa. 18951	
	DIMENSIONS ARE IN INCHES UNLESS OTHERWISE SPECIFIED	Approved By:
This item is the exclusive property of KWIK GOAL LTD. Reproduction or duplication without the express written consent of KWIK GOAL LTD. is strictly forbidden.	Date:	25B803
	Drawn By: CSpeck	
	Date: 6/14/2010	Desc:
	Sheet: 2 of 4	6 1/2' X 12' CANADIAN ECONO GOAL
Revision #: 1	Cad File: 25B803.idw	



MATERIAL DETAILS

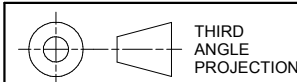


POSTS AND RAIL
MATERIAL - ALUMINUM



GROUND SLEEVE
MATERIAL - ALUMINUM

Finish Info.



THIRD
ANGLE
PROJECTION

KWIKGOAL® 140 Pacific Drive
Quakertown,
Pa. 18951

DIMENSIONS ARE IN INCHES
UNLESS OTHERWISE SPECIFIED

Approved By:

Part #:

Date:

25B803

This item is the **exclusive**
property of **KWIK GOAL LTD.**
Reproduction or duplication
without the express written
consent of **KWIK GOAL LTD.**
is **strictly forbidden.**

Drawn By: CSpeck

Date: 6/14/2010

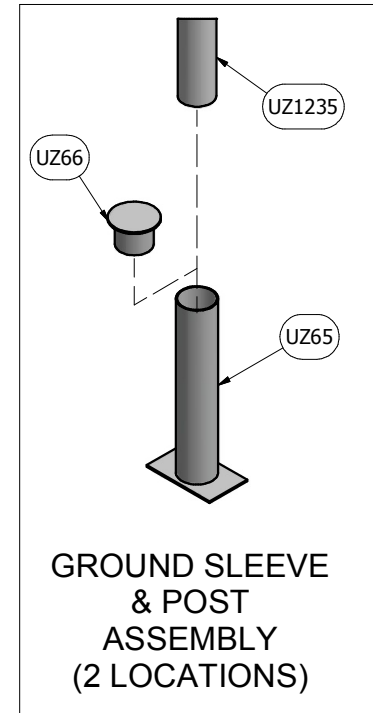
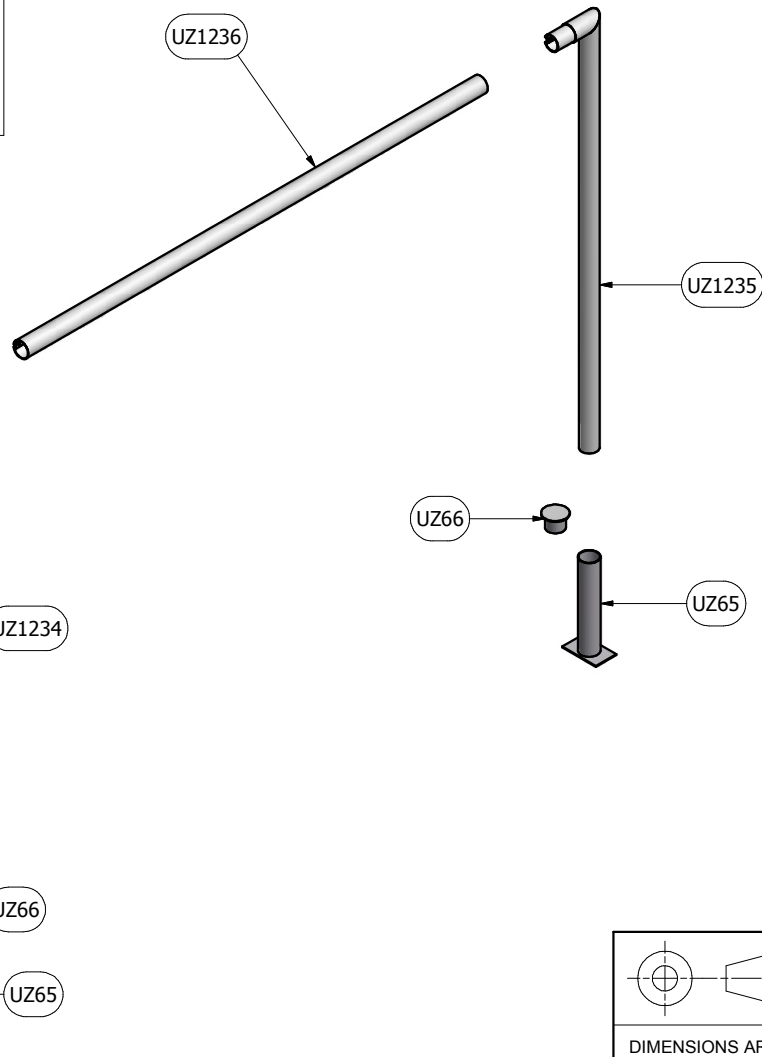
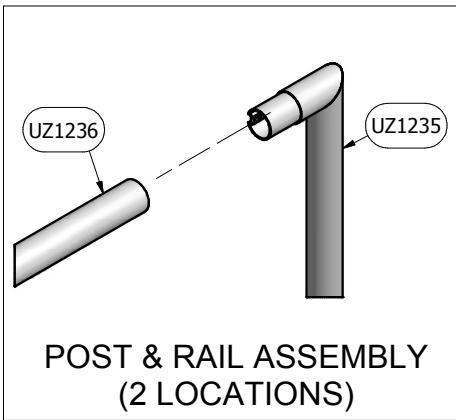
Sheet: 3 of 4

Revision #: 1

Cad File: 25B803.idw

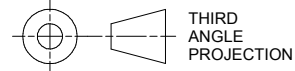
Desc:

6 1/2' X 12' CANADIAN
ECONO GOAL



Parts List		
Part #	Qty	Description
UZ65	2	GROUND SLEEVE
UZ66	2	GROUND SLEEVE CAP
UZ1236	1	RAIL
UZ1235	1	RIGHT POST, 25B803
UZ1234	1	LEFT POST, 25B803
3B3511	1	NET, 2.4mm ROPE, 120mm MESH

Finish Info.



DIMENSIONS ARE IN INCHES
UNLESS OTHERWISE SPECIFIED

This item is the **exclusive** property of **KWIK GOAL LTD.** Reproduction or duplication **without** the express written consent of **KWIK GOAL LTD.** is **strictly forbidden.**



Approved By:
Date:
Drawn By: CSpeck
Date: 6/14/2010
Sheet: 4 of 4
Revision #: 1
Cad File: 25B803.idw

Part #:
25B803
Desc:
6 1/2' X 12' CANADIAN
ECONO GOAL