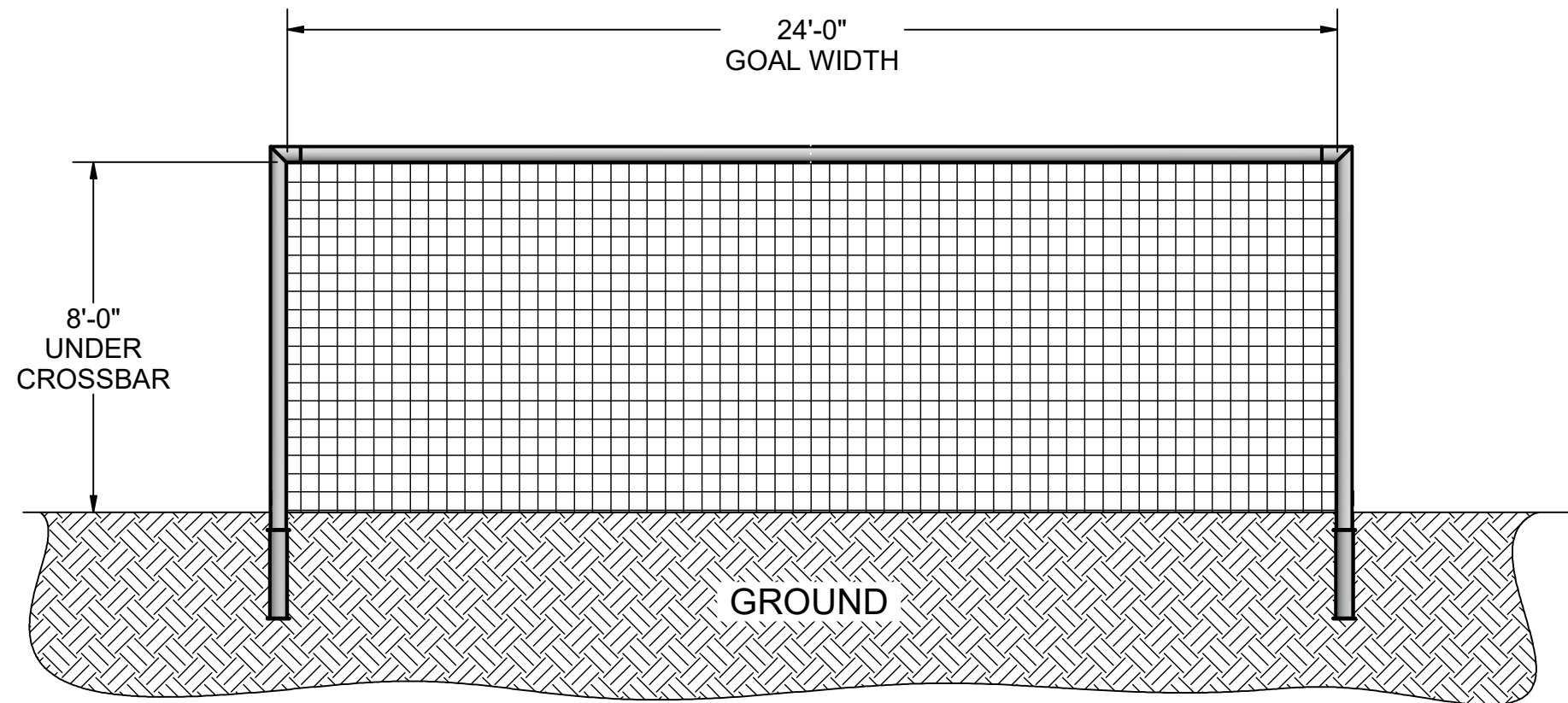
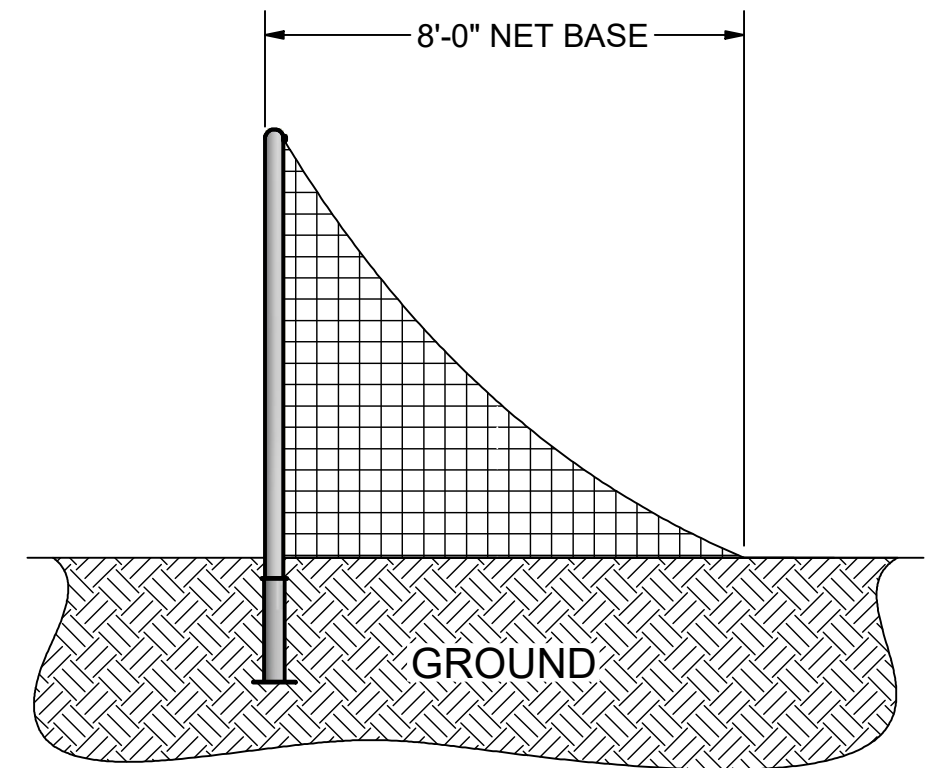


FRONT VIEW

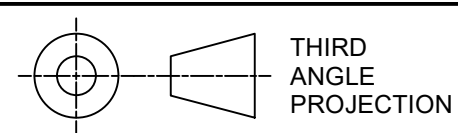


SIDE VIEW



FEATURES:

- 1) ALUMINUM POSTS, CROSSBAR, AND GROUND SLEEVES
- 2) FINISH:
GOAL FRAME - WHITE POWDER COAT
GROUND SLEEVES - PLAIN FINISH
- 3) NET AND CLIPS INCLUDED
- 4) GROUND SLEEVES FOR POSTS INCLUDED
- 5) ASSEMBLED WEIGHT GOAL: 106 LBS.
- 6) EXCEEDS:
NCAA SPECIFICATIONS
NFSHSA SPECIFICATIONS
ASTM F2950-14 STANDARDS



KWIKGOAL® 140 Pacific Drive
Quakertown,
Pa. 18951

DIMENSIONS ARE IN INCHES
UNLESS OTHERWISE SPECIFIED

Approved By:
Date:

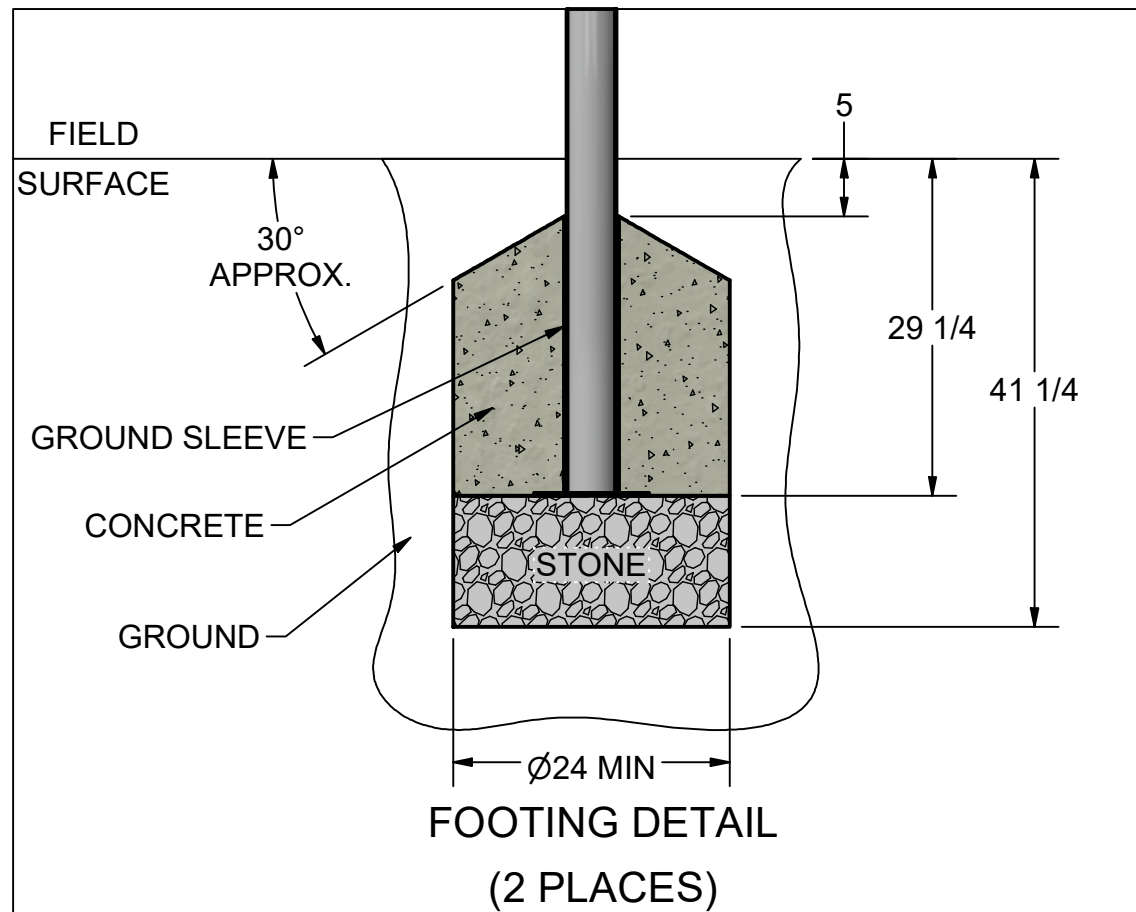
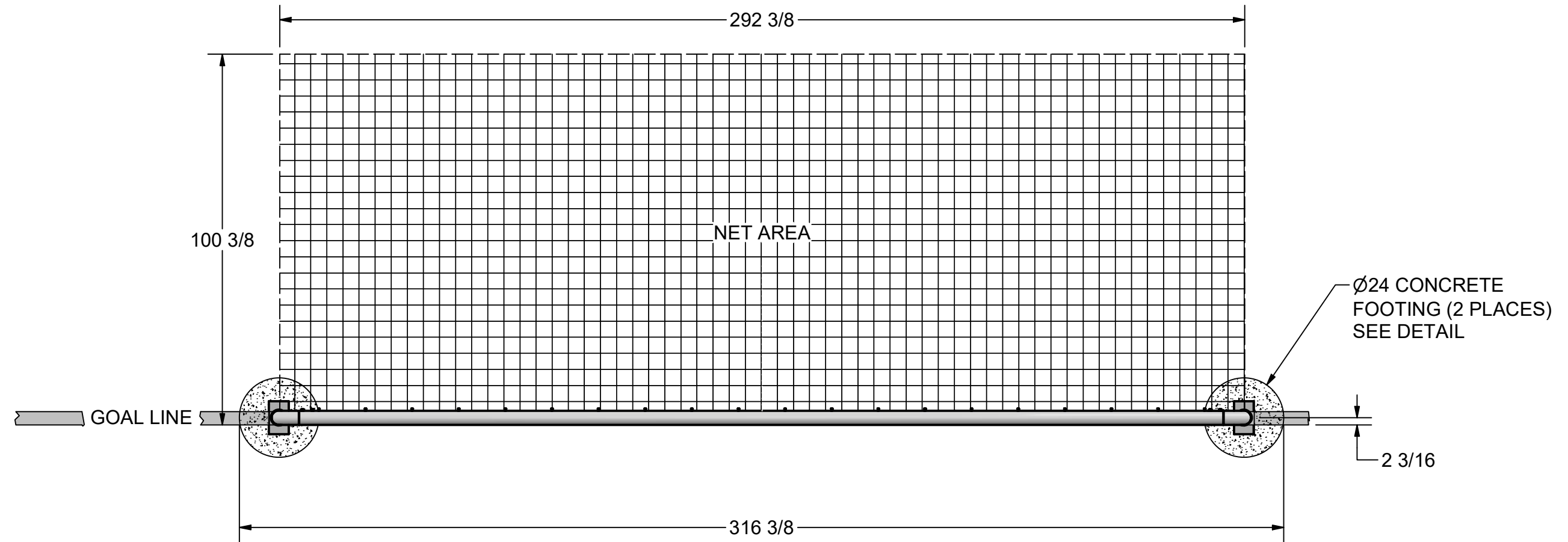
Drawing #:
25B806

This item is the **confidential**
property of **KWIK GOAL LTD.**
Reproduction or duplication
without the express written
consent of **KWIK GOAL LTD.**
is **strictly forbidden.**

Drawn By: CSpeck
Date: 6/11/2010
Sheet: 1 of 4
Revision #: 5
Cad File: 25B806.idw

Desc:
8' X 24' CANADIAN ECONO
GOAL

OVERHEAD VIEW

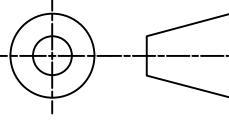



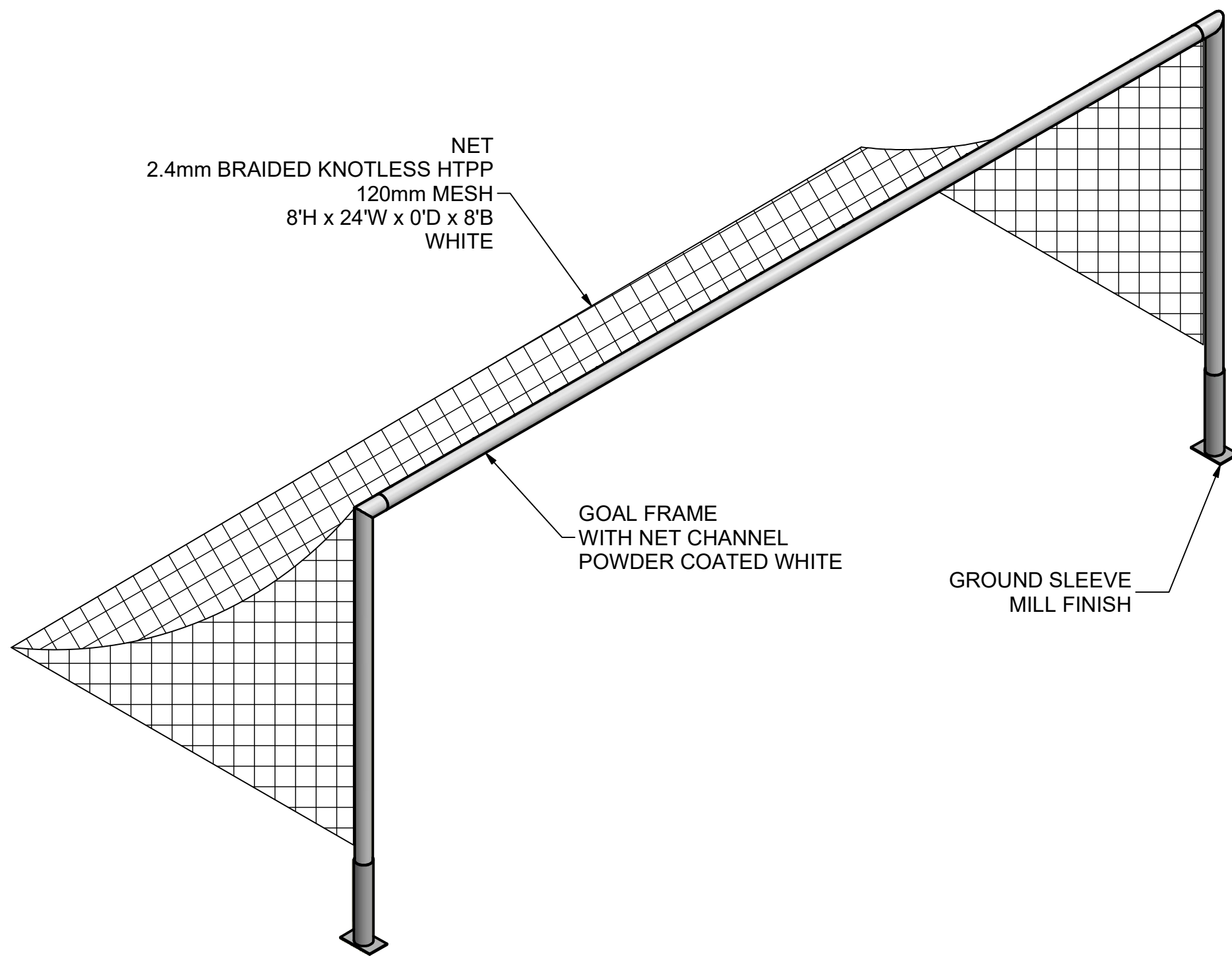
NOTES:

1) DIMENSIONS ARE FOR PLANNING PURPOSES. INSTALLATION MUST BE IN ACCORDANCE WITH INSTALLATION INSTRUCTIONS.

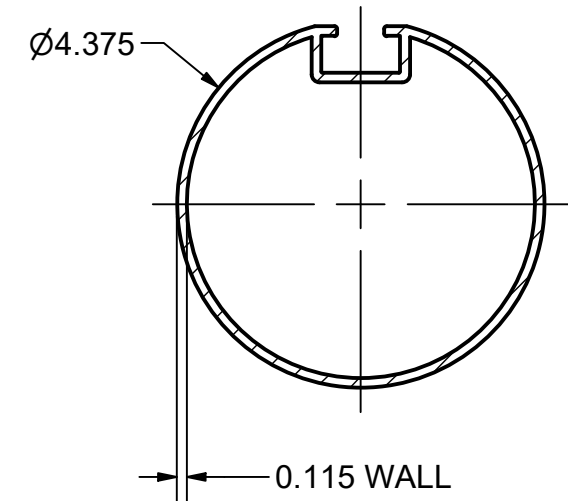
MATERIAL REQUIRED, BUT **NOT** SUPPLIED

0.5 cubic yard - CONCRETE
 0.3 cubic yard - CLEAN STONE (1/4" - 3/4")
 ABOVE AMOUNTS ARE PER GOAL INSTALLATION

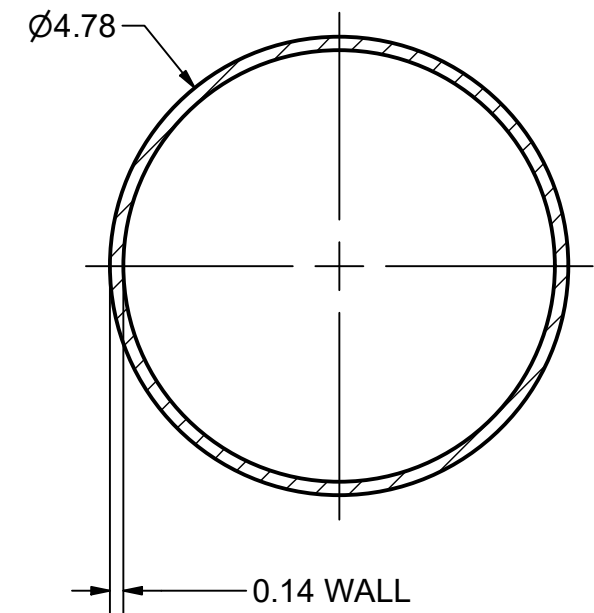
 THIRD ANGLE PROJECTION	 140 Pacific Drive Quakertown, Pa. 18951	
	DIMENSIONS ARE IN INCHES UNLESS OTHERWISE SPECIFIED	Approved By: Date:
This item is the confidential property of KWIK GOAL LTD. Reproduction or duplication without the express written consent of KWIK GOAL LTD. is strictly forbidden.	Drawn By: CSpeck Date: 6/11/2010	Desc: 8' X 24' CANADIAN ECONO GOAL
	Sheet: 2 of 4 Revision #: 5	
	Cad File: 25B806.idw	



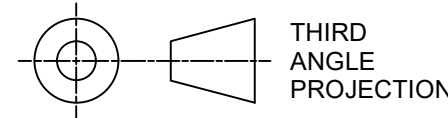
MATERIAL DETAILS



GOAL FRAME MATERIAL - ALUMINUM



GROUND SLEEVE MATERIAL - ALUMINUM



THIRD ANGLE PROJECTION

KWIKGOAL® 140 Pacific Drive
Quakertown, Pa. 18951

DIMENSIONS ARE IN INCHES UNLESS OTHERWISE SPECIFIED

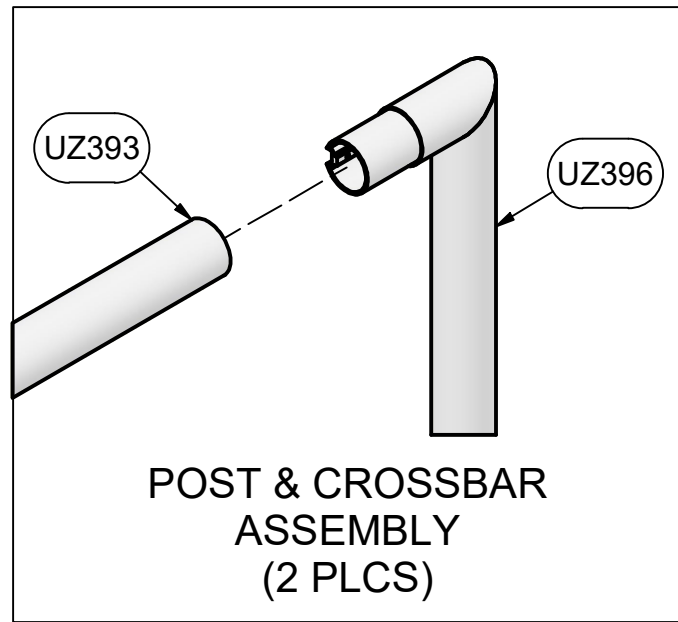
Approved By:
Date:

Drawing #: **25B806**

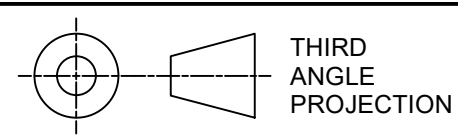
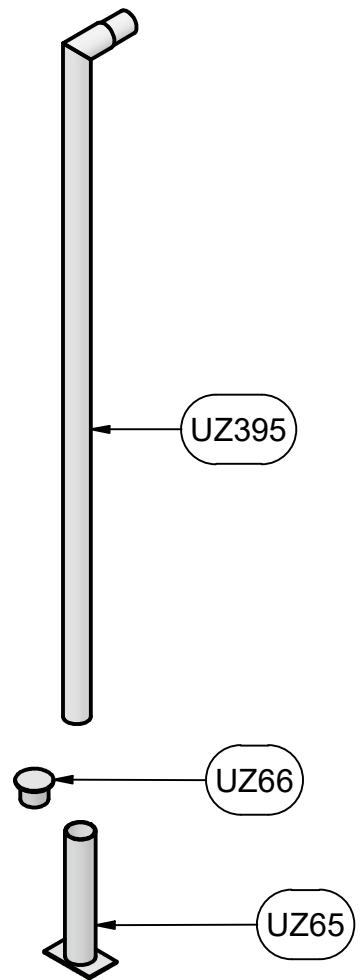
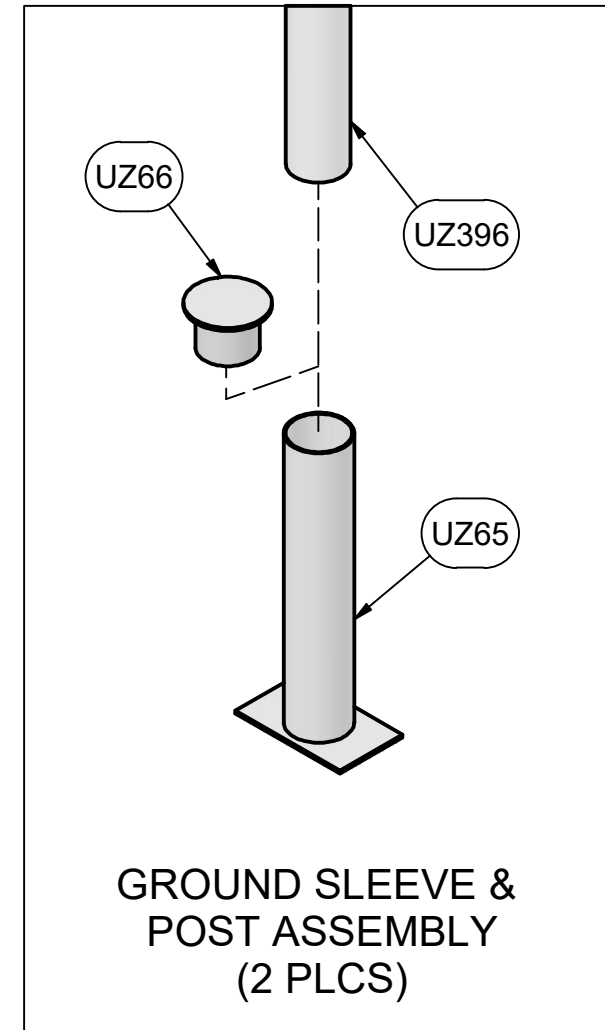
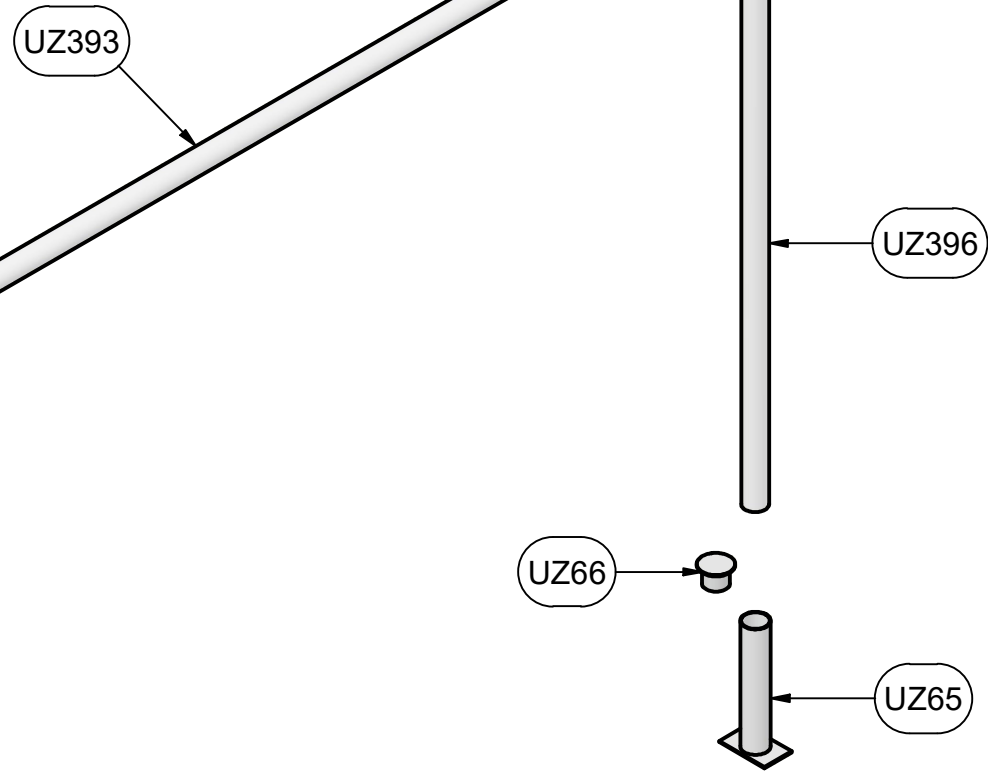
This item is the **confidential** property of **KWIK GOAL LTD.** Reproduction or duplication **without** the express written consent of **KWIK GOAL LTD.** is **strictly forbidden.**

Drawn By: CSpeck
Date: 6/11/2010
Sheet: 3 of 4
Revision #: 5
Cad File: 25B806.idw

Desc: 8' X 24' CANADIAN ECONO GOAL



PARTS LIST		
PART #	QTY	DESCRIPTION
UZ66	2	GROUND SLEEVE CAP
UZ65	2	GROUND SLEEVE
UZ396	1	RIGHT POST
UZ395	1	LEFT POST
UZ393	1	CROSSBAR
3B4011	1	NET, 2.4MM ROPE, 120MM MESH



KWIKGOAL® 140 Pacific Drive
Quakertown,
Pa. 18951

DIMENSIONS ARE IN INCHES
UNLESS OTHERWISE SPECIFIED

Approved By:
Date:

Drawing #:
25B806

This item is the **confidential**
property of **KWIK GOAL LTD.**
Reproduction or duplication
without the express written
consent of **KWIK GOAL LTD.**
is **strictly forbidden.**

Drawn By: CSpeck
Date: 6/11/2010
Sheet: 4 of 4
Revision #: 5
Cad File: 25B806.idw

Desc:
8' X 24' CANADIAN ECONO
GOAL