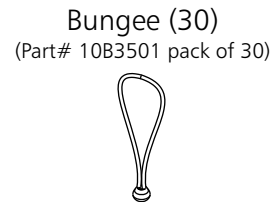
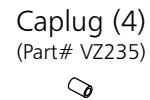
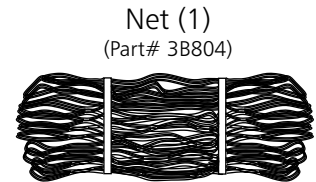
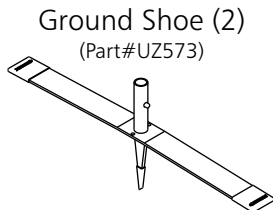
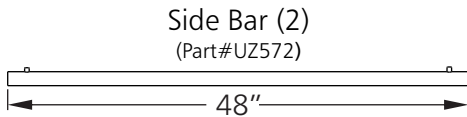
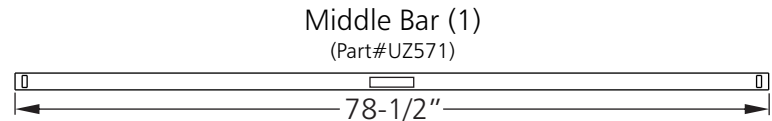




ASSEMBLY INSTRUCTIONS FOR 2B1603 AFR-1® REBOUNDER

1. Unpack all parts and check for damage that may have occurred during shipping. If damage has occurred, notify Kwik Goal immediately. Lay out all parts. Remove all cardboard and packaging immediately. Wet or damp packaging may damage contents.
2. Read through entire instruction before beginning assembly and installation.

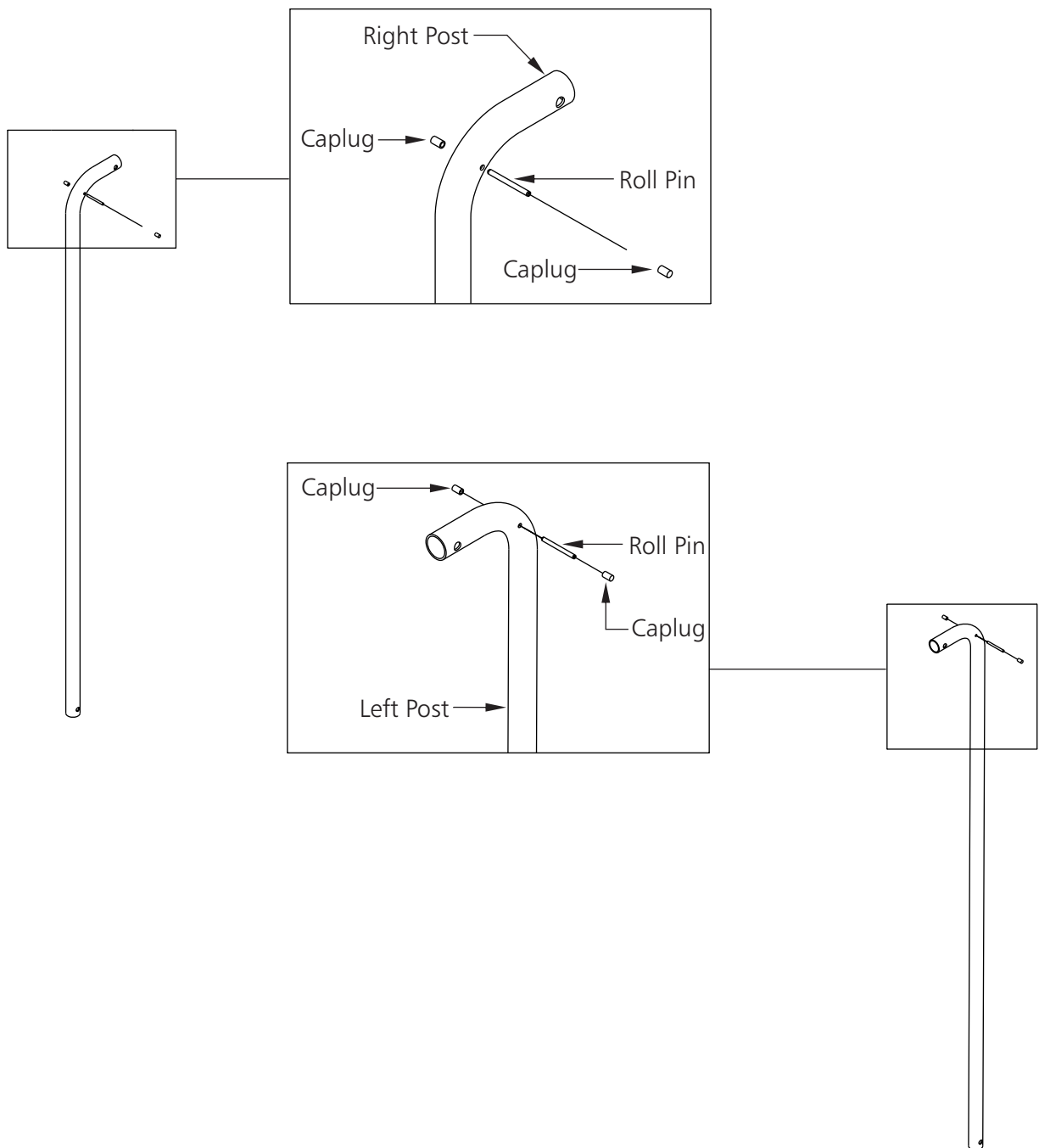
**NOTE: Components may be packaged in one or more additional boxes.**



**\*\*\*CAUTION\*\*\***

All sports equipment must be anchored at all times. Sports equipment not in use must be disassembled and stored in a safe, secure place. Assembled sports equipment should not be left unattended. Do not use this equipment during the threat of high winds. Sports equipment should be checked for safety on a regular basis. Any modifications to this or any Kwik Goal product will void any and all warranties.

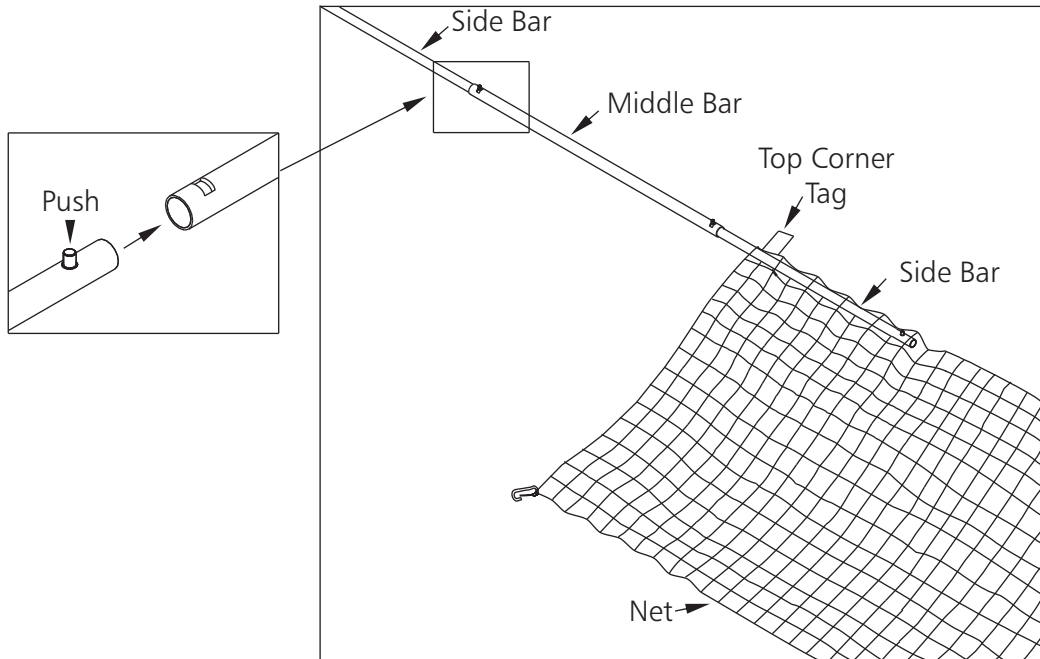
3. Initial assembly, assemble left post and right post as shown.



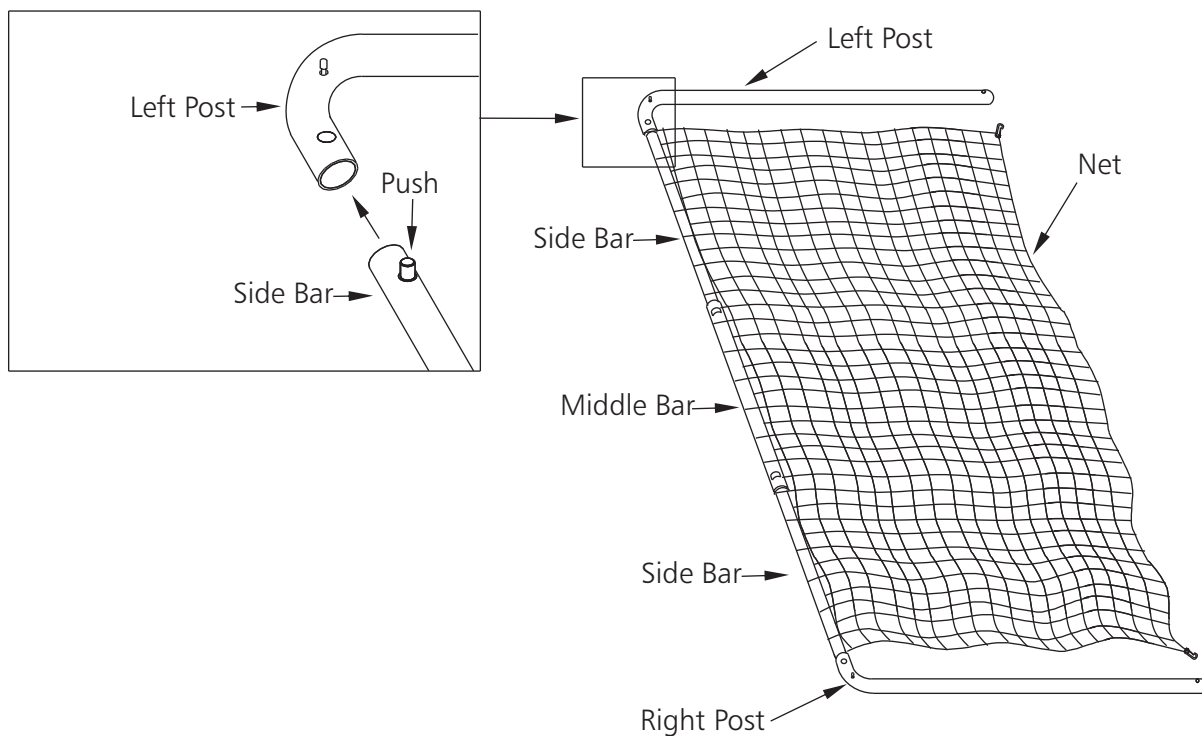
**\*\*\*CAUTION\*\*\***

All sports equipment must be anchored at all times. Sports equipment not in use must be disassembled and stored in a safe, secure place. Assembled sports equipment should not be left unattended. Do not use this equipment during the threat of high winds. Sports equipment should be checked for safety on a regular basis. Any modifications to this or any Kwik Goal product will void any and all warranties.

4. Assemble middle bar and side bars. Using top corner tags as a guide, weave net onto middle bar and side bars as shown.



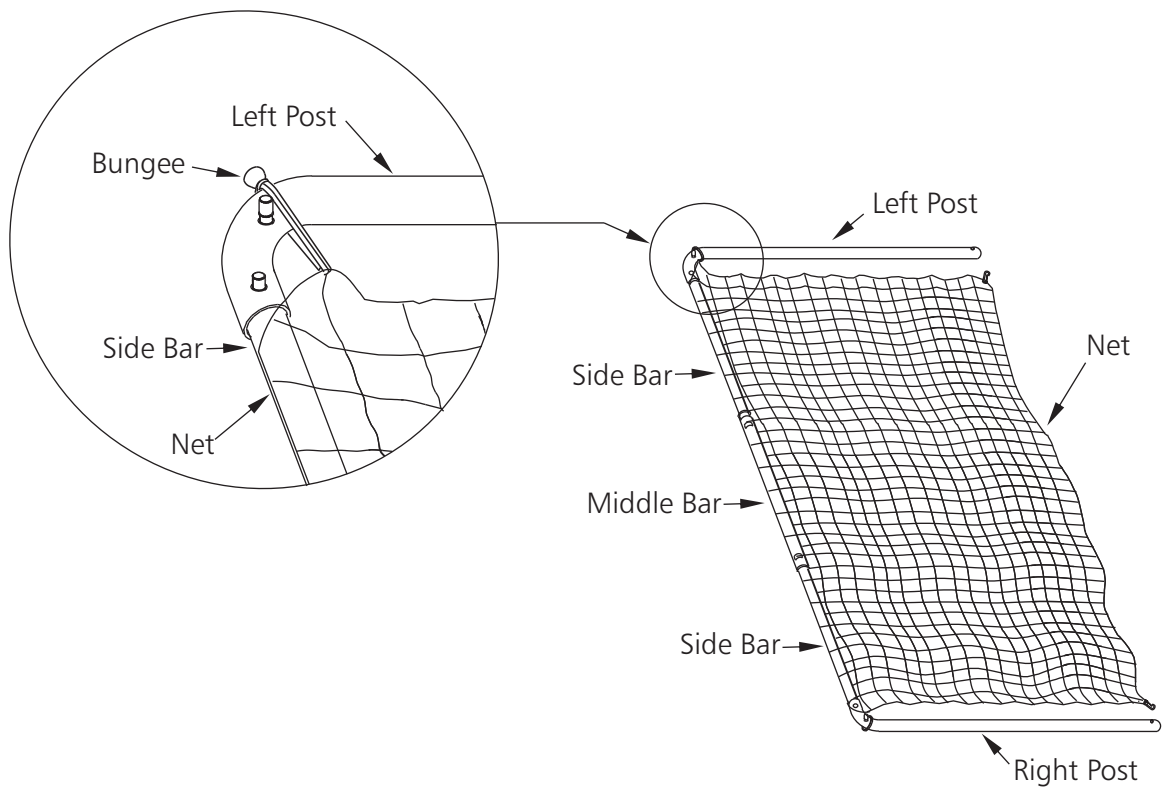
5. Insert side bars into posts as shown.



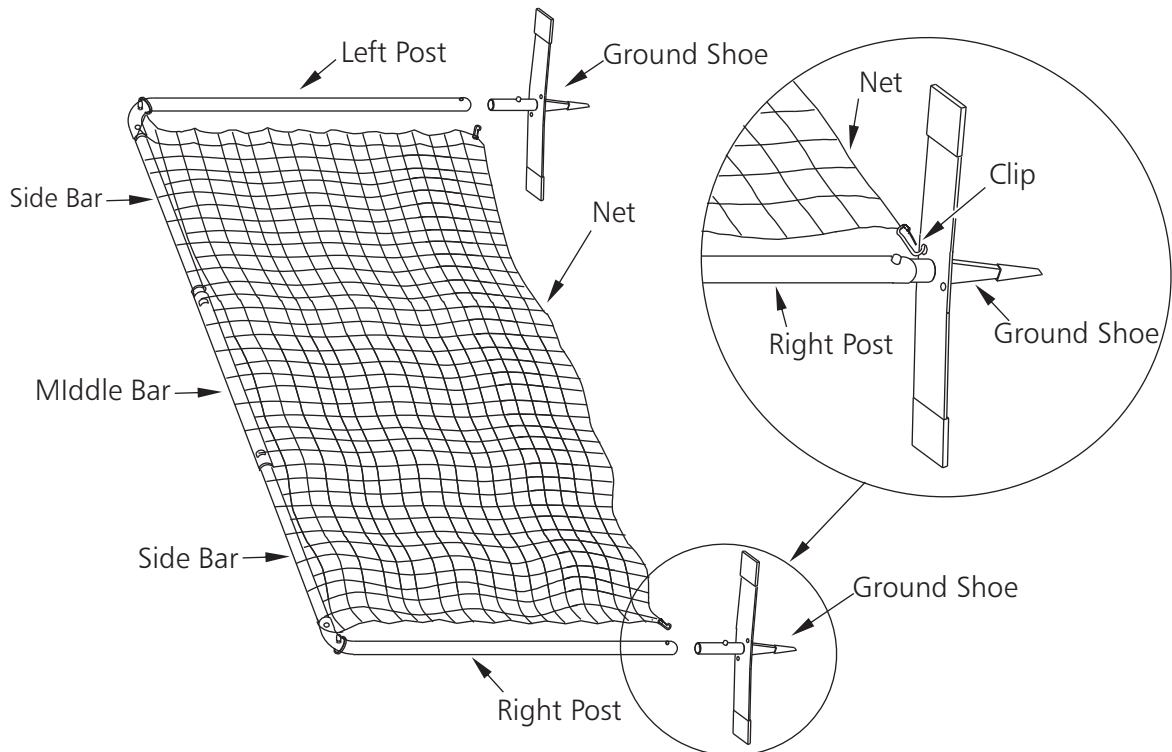
**\*\*\*CAUTION\*\*\***

All sports equipment must be anchored at all times. Sports equipment not in use must be disassembled and stored in a safe, secure place. Assembled sports equipment should not be left unattended. Do not use this equipment during the threat of high winds. Sports equipment should be checked for safety on a regular basis. Any modifications to this or any Kwik Goal product will void any and all warranties.

6. Attach top corners of net to goal frame with bungees as shown in figure below.



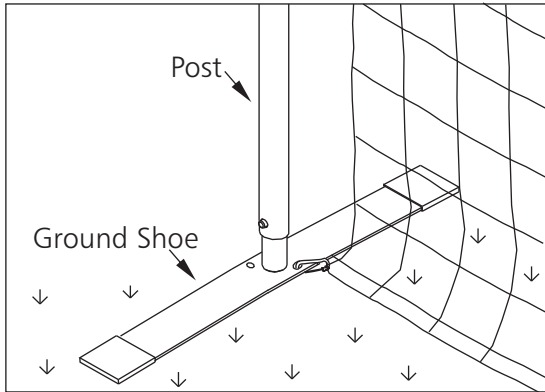
7. Attach ground shoes to posts. Connect net to ground shoes with clips located at the bottom corners of net.



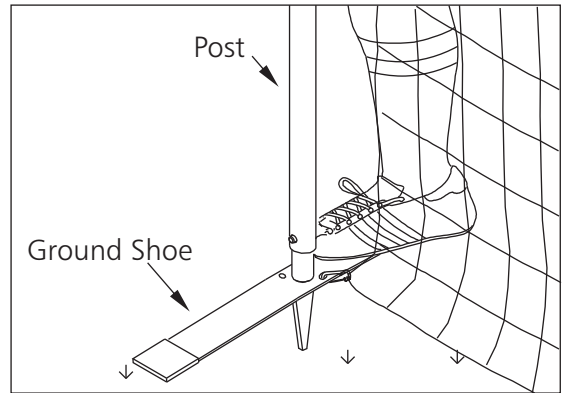
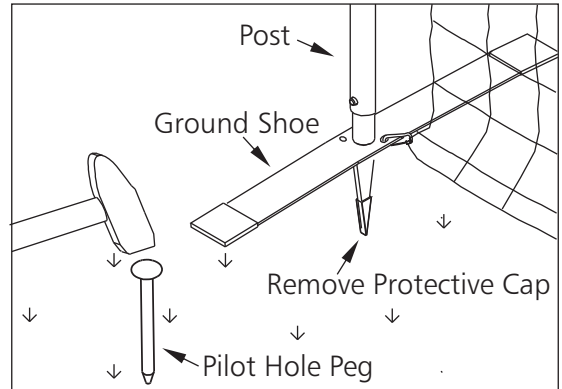
\*\*\*CAUTION\*\*\*

All sports equipment must be anchored at all times. Sports equipment not in use must be disassembled and stored in a safe, secure place. Assembled sports equipment should not be left unattended. Do not use this equipment during the threat of high winds. Sports equipment should be checked for safety on a regular basis. Any modifications to this or any Kwik Goal product will void any and all warranties.

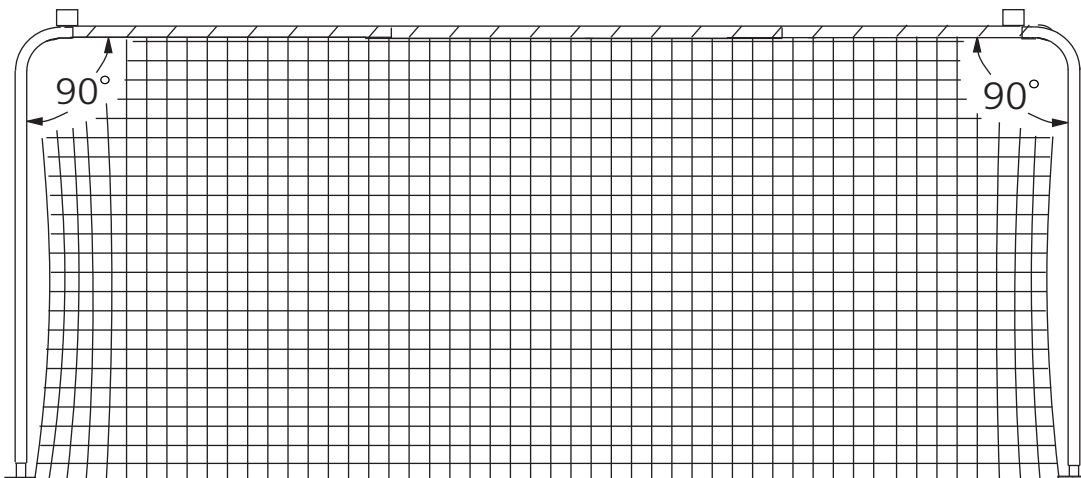
8. Stand assembled AFR-1® in desired location and push ground shoes into field using foot pressure. Be sure to keep posts 90 ° to side bars. **CAUTION: NEVER USE HAMMER ON GROUND SHOE.** If soil conditions are hard, mark ground shoe location and make a pilot hole with pilot hole peg.



Proper use of pilot hole peg



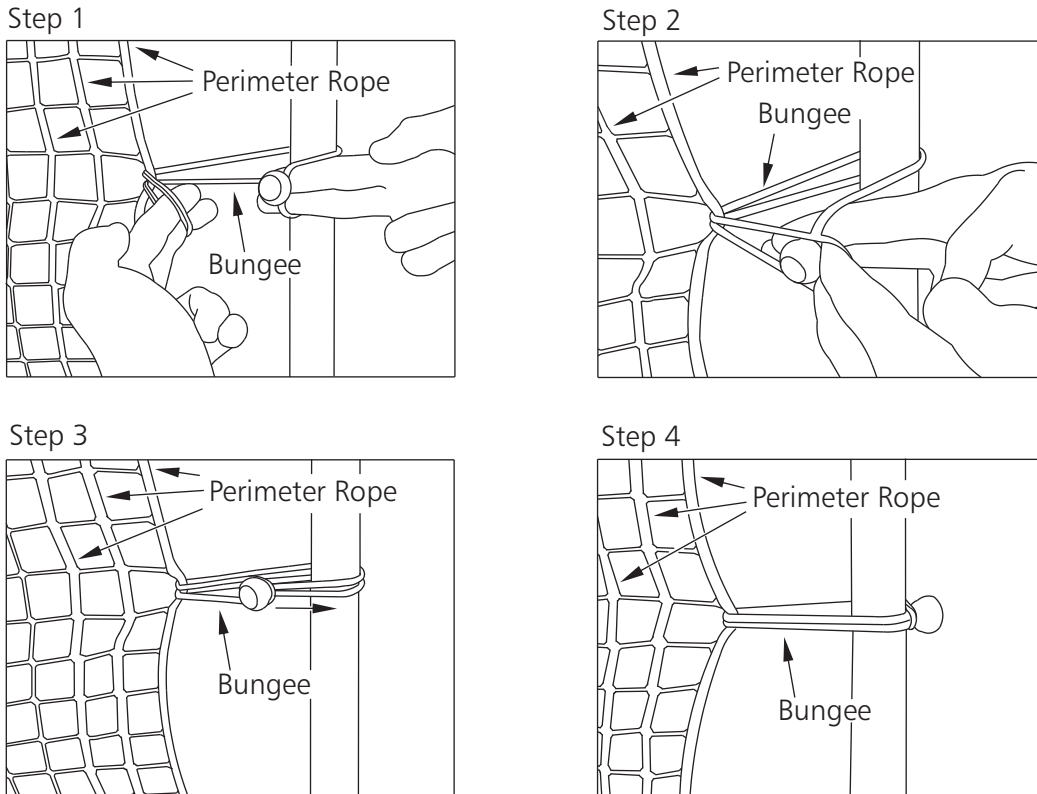
Front View



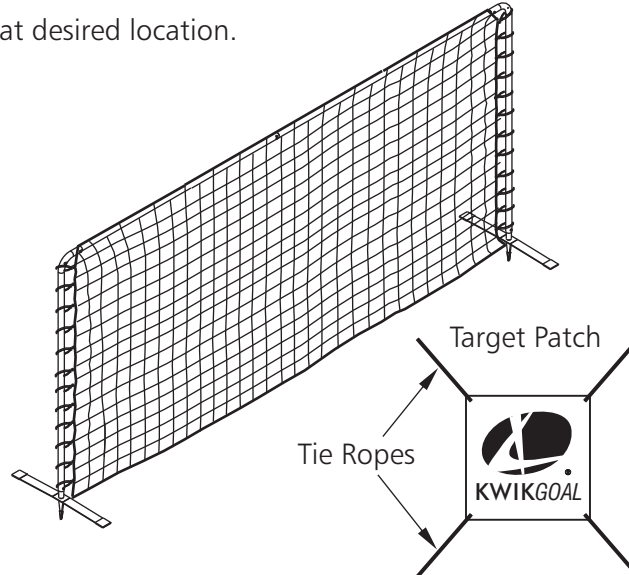
**\*\*\*CAUTION\*\*\***

All sports equipment must be anchored at all times. Sports equipment not in use must be disassembled and stored in a safe, secure place. Assembled sports equipment should not be left unattended. Do not use this equipment during the threat of high winds. Sports equipment should be checked for safety on a regular basis. Any modifications to this or any Kwik Goal product will void any and all warranties.

9. Attach bungees to perimeter rope as shown. Evenly space a minimum of 11 bungees down each post. Note: For a stronger rebound, attach bungees to an inner perimeter rope. The addition of bungees while attaching the net may make the net appear small but it will stretch during installation. If bungees are used on an inner perimeter rope, the excess net can be trimmed off or left on.



10. Target patch may be placed at desired location.



11. To disassemble, reverse assembly steps. Store AFR-1<sup>®</sup> goal in a safe place. Carry bag is available for your AFR-1<sup>®</sup>, see our catalog or online at kwikgoal.com.

Go to [Kwikgoal.com](http://Kwikgoal.com) for additional product information.

**\*\*\*CAUTION\*\*\***

All sports equipment must be anchored at all times. Sports equipment not in use must be disassembled and stored in a safe, secure place. Assembled sports equipment should not be left unattended. Do not use this equipment during the threat of high winds. Sports equipment should be checked for safety on a regular basis. Any modifications to this or any Kwik Goal product will void any and all warranties.