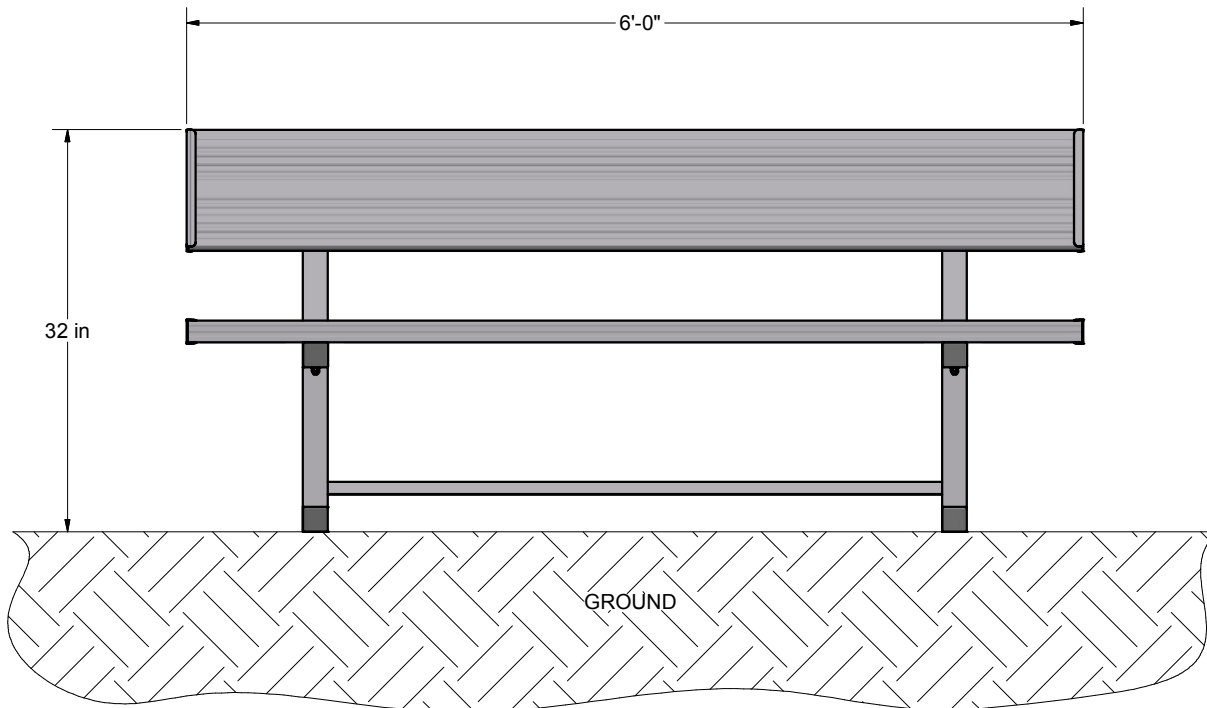
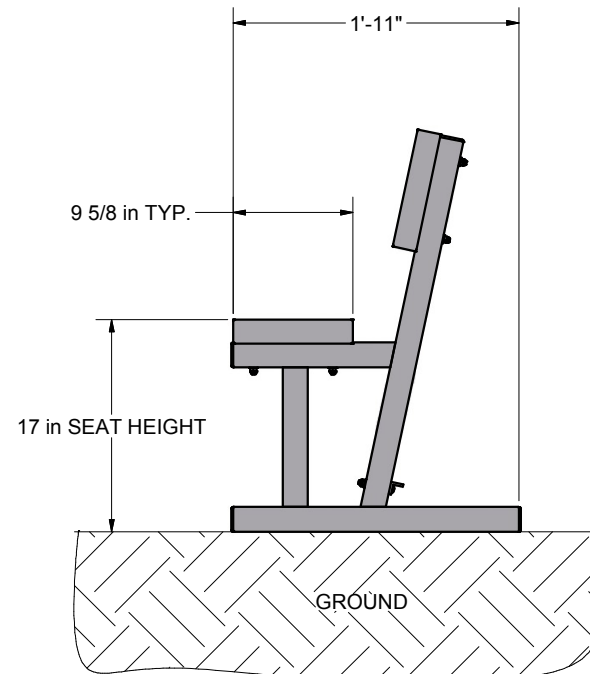


FRONT VIEW



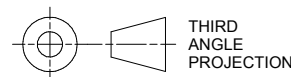
SIDE VIEW



FEATURES:

- 1) MATERIAL:  
ALUMINUM FRAMES AND BENCH PLANKS
- 2) FINISH:  
FRAMES - PLAIN  
BENCH PLANKS - CLEAR ANODIZED
- 3) ASSEMBLED WEIGHT: 42 LBS.

**Finish Info.**



THIRD  
ANGLE  
PROJECTION



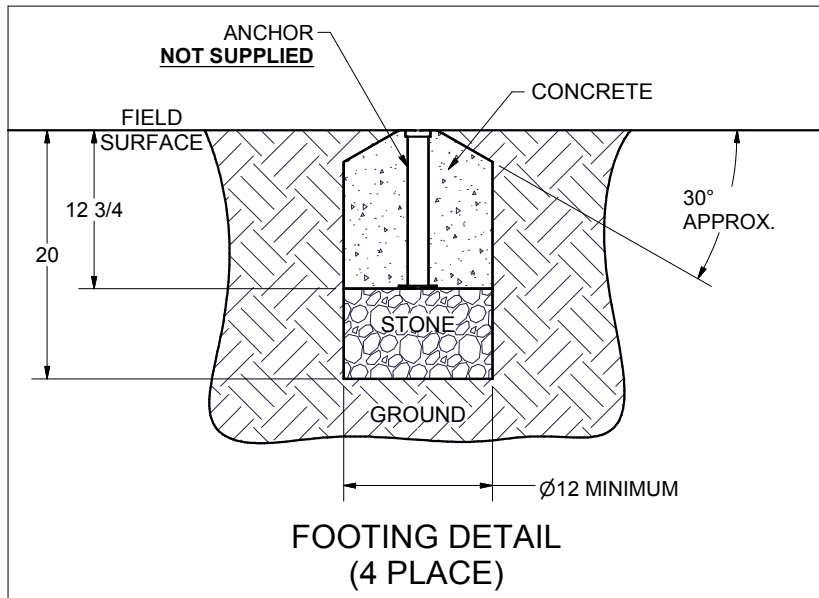
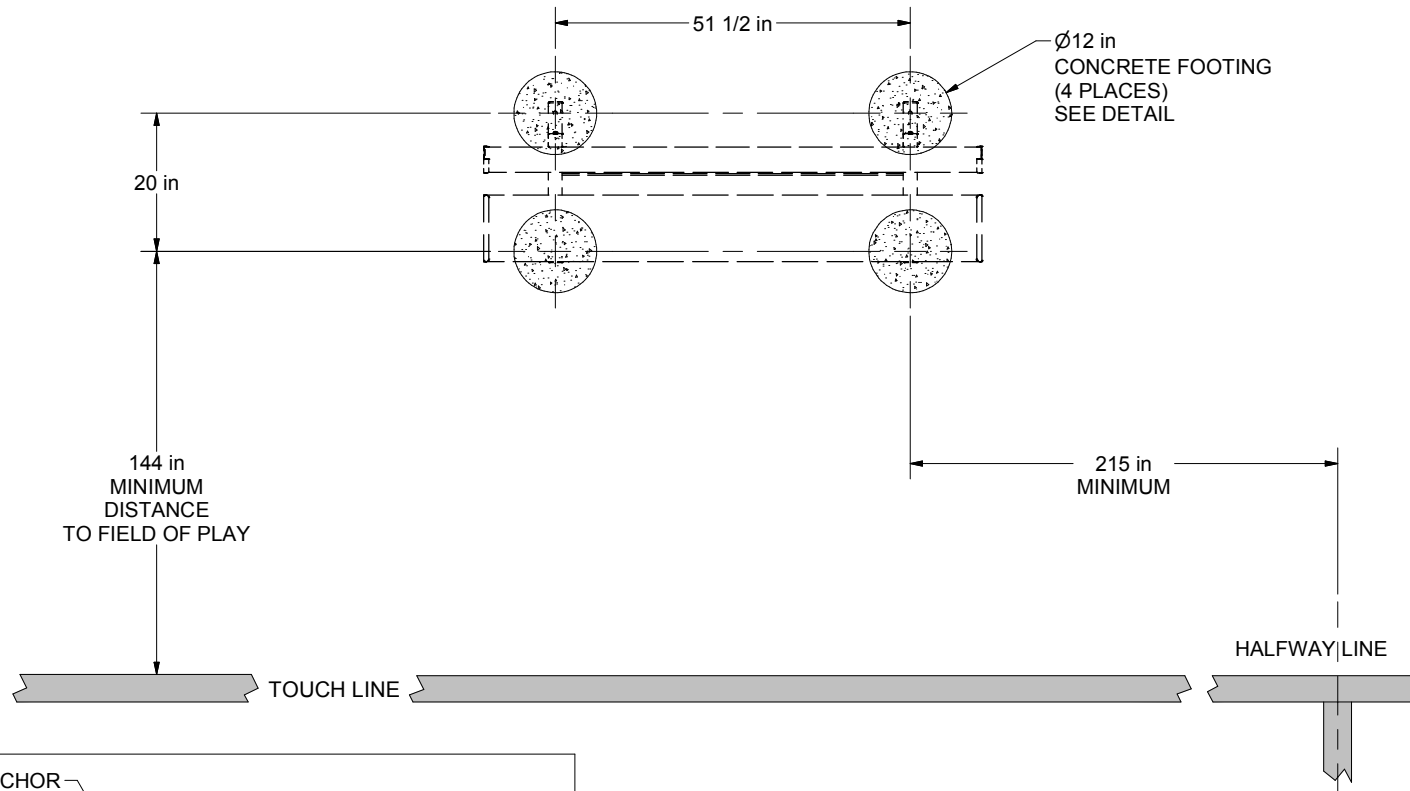
DIMENSIONS ARE IN INCHES  
UNLESS OTHERWISE SPECIFIED

This item is the **exclusive** property of **KWIK GOAL LTD.** Reproduction or duplication **without** the express written consent of **KWIK GOAL LTD.** is **strictly forbidden.**

Approved By:  
Date:  
Drawn By: KFrish  
Date: 11/1/2010  
Sheet: 1 of 4  
Revision #: -  
Cad File: 9B21.idw

Part #: **9B21**  
Desc: 6' BENCH WITH BACK

OVERHEAD VIEW

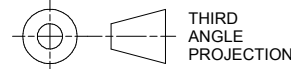


NOTES:

- 1) ANCHORS RECOMENDED, BUT **NOT** SUPPLIED.
- 2) DIMENSIONS ARE FOR PLANNING PURPOSES. INSTALLATION MUST BE IN ACCORDANCE WITH INSTALLATION INSTRUCTIONS.

MATERIAL REQUIRED, BUT **NOT** SUPPLIED

- 0.3 cubic yard - CONCRETE
  - 0.2 cubic yard - CLEAN STONE (1/4" - 3/4")
- ABOVE AMOUNTS ARE PER UNIT INSTALLATION



DIMENSIONS ARE IN INCHES  
UNLESS OTHERWISE SPECIFIED

Approved By:

Part #:

Date:

9B21

This item is the **exclusive** property of **KWIK GOAL LTD.** Reproduction or duplication **without** the express written consent of **KWIK GOAL LTD.** is **strictly forbidden.**

Drawn By: KFRisch

Date: 11/1/2010

Desc:

Sheet: 2 of 4

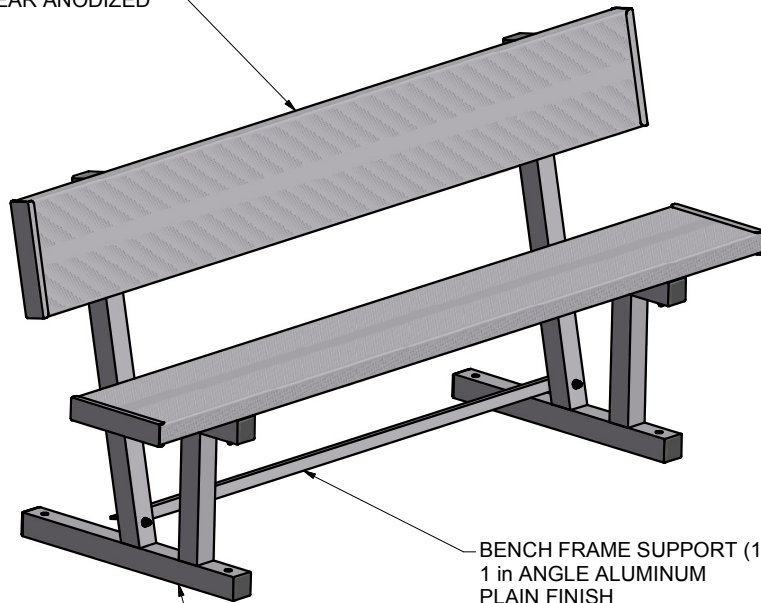
Revision #: -

6' BENCH WITH BACK

Cad File: 9B21.idw

Finish Info.

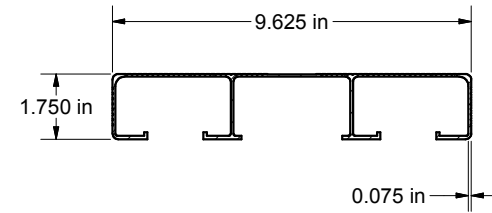
BENCH PLANKS (2)  
CLEAR ANODIZED



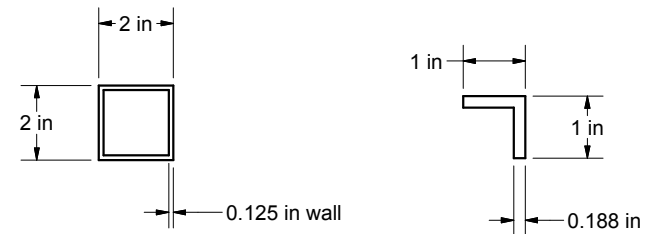
BENCH FRAME SUPPORT (1)  
1 in ANGLE ALUMINUM  
PLAIN FINISH

BENCH FRAMES (2)  
2 in SQUARE ALUMINUM TUBE  
PLAIN FINISH

MATERIAL DETAILS



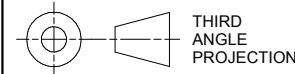
SEAT & BACK BENCH PLANK  
MATERIAL - ALUMINUM



BENCH FRAME  
MATERIAL - ALUMINUM

BENCH FRAME SUPPORT  
MATERIAL - ALUMINUM

Finish Info.



THIRD  
ANGLE  
PROJECTION



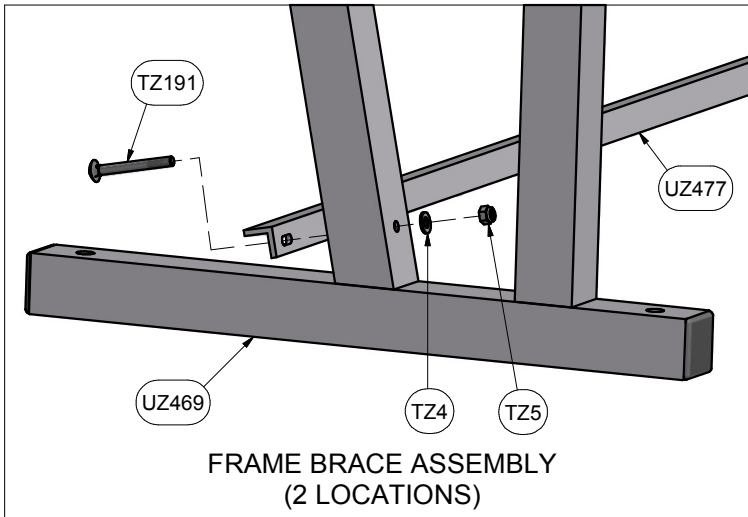
140 Pacific Drive  
Quakertown,  
Pa. 18951

DIMENSIONS ARE IN INCHES  
UNLESS OTHERWISE SPECIFIED

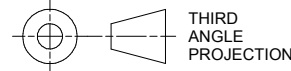
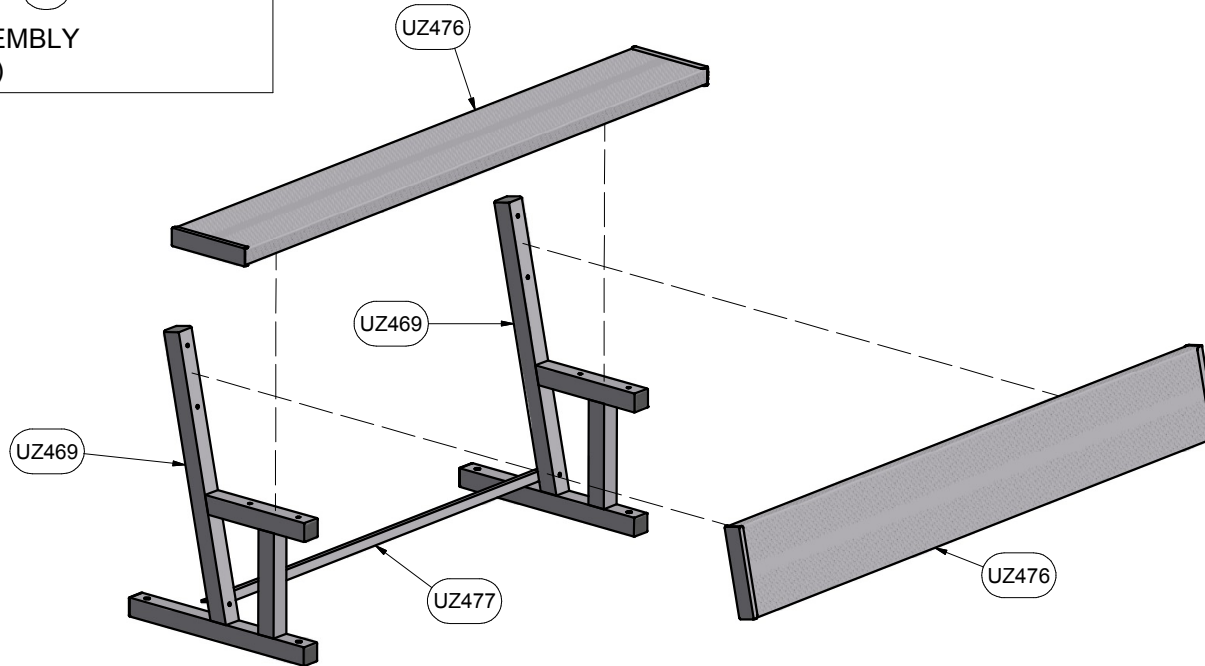
This item is the **exclusive**  
property of **KWIK GOAL LTD.**  
Reproduction or duplication  
**without** the express written  
consent of **KWIK GOAL LTD.**  
is **strictly forbidden.**

Approved By:  
Date:  
Drawn By: KFrish  
Date: 11/1/2010  
Sheet: 3 of 4  
Revision #: -  
Cad File: 9B21.idw

Part #:  
**9B21**  
Desc:  
6' BENCH WITH BACK



Parts List		
Part #	Qty	Description
UZ469	2	BENCH FRAME WITH BACK
UZ477	1	BENCH SUPPORT
UZ476	2	BENCH SEAT (6')
UZ475	8	BENCH HOLD DOWN
TZ172	8	5/16-18 x 3 Carriage Bolt
TZ4	10	5/16 Flat Washer
TZ5	10	5/16-18 Lock Nut
TZ191	2	5/16-18 x 2 3/4 Carriage Bolt



THIRD  
ANGLE  
PROJECTION

**KWIKGOAL**® 140 Pacific Drive  
Quakertown,  
Pa. 18951

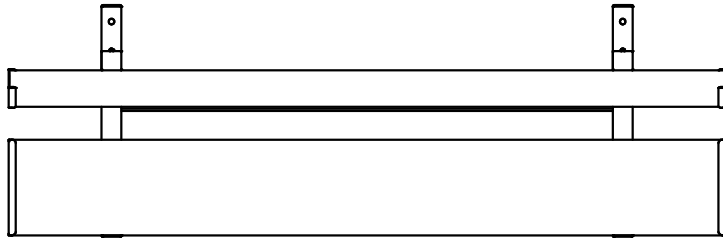
DIMENSIONS ARE IN INCHES  
UNLESS OTHERWISE SPECIFIED

This item is the **exclusive**  
property of **KWIK GOAL LTD.**  
Reproduction or duplication  
**without** the express written  
consent of **KWIK GOAL LTD.**  
is **strictly forbidden.**

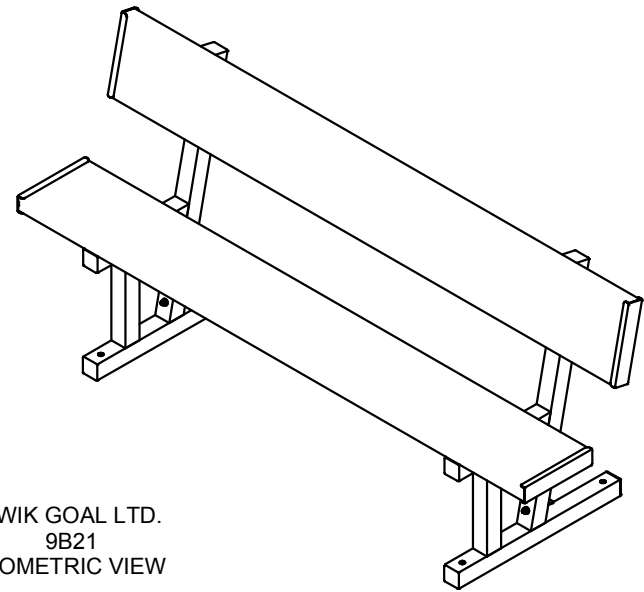
Approved By:  
Date:  
Drawn By: KFRisch  
Date: 11/1/2010  
Sheet: 4 of 4  
Revision #: -  
Cad File: 9B21.idw

Part #:  
**9B21**  
Desc:  
6' BENCH WITH BACK

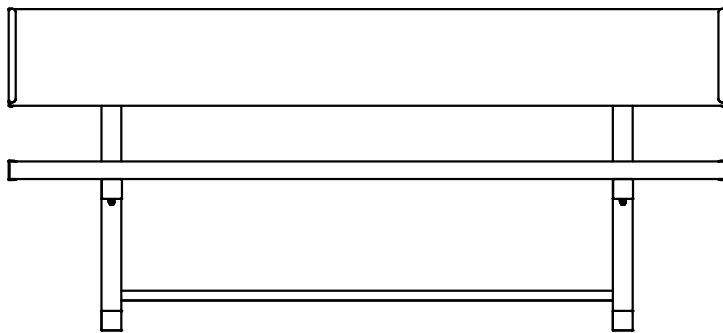
**Finish Info.**



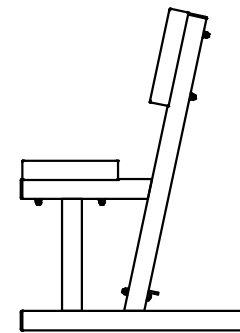
KWIK GOAL LTD.  
9B21  
TOP VIEW



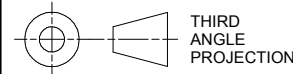
KWIK GOAL LTD.  
9B21  
ISOMETRIC VIEW



KWIK GOAL LTD.  
9B21  
FRONT VIEW



KWIK GOAL LTD.  
9B21  
SIDE VIEW



THIRD  
ANGLE  
PROJECTION

**KWIKGOAL**® 140 Pacific Drive  
Quakertown,  
Pa. 18951

DIMENSIONS ARE IN INCHES  
UNLESS OTHERWISE SPECIFIED

This item is the **exclusive**  
property of **KWIK GOAL LTD.**  
Reproduction or duplication  
**without** the express written  
consent of **KWIK GOAL LTD.**  
is **strictly forbidden.**

Approved By:

Date:

Drawn By: KFrish

Date: 11/1/2010

Sheet: of 4

Revision #: -

Cad File: 9B21.idw

Part #:  
**9B21**

Desc:  
6' BENCH WITH BACK

**Finish Info.**