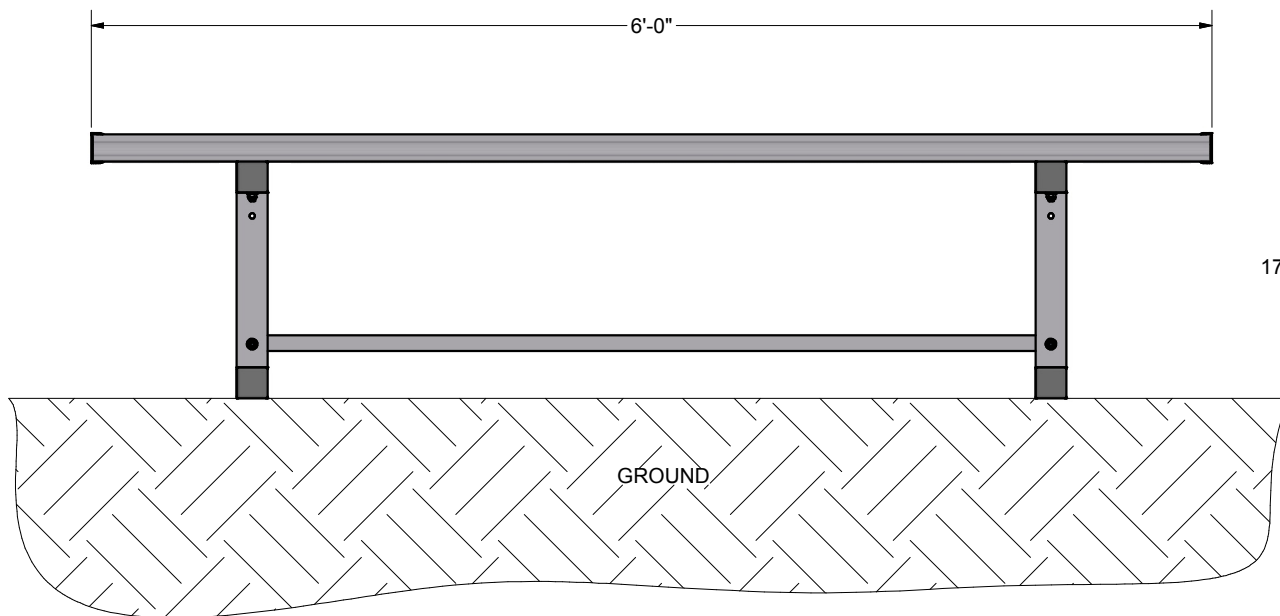
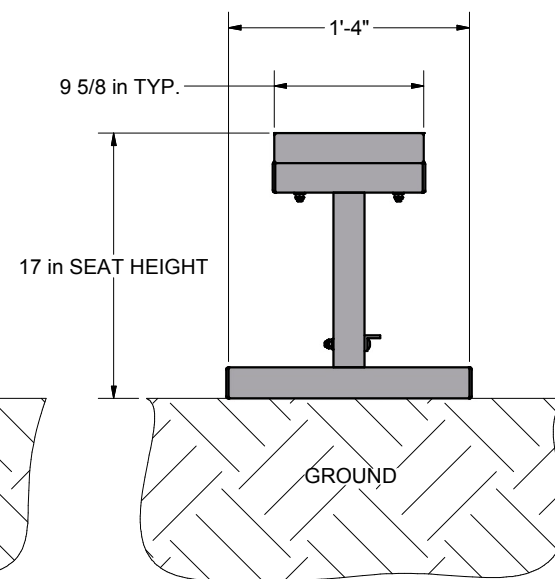


FRONT VIEW



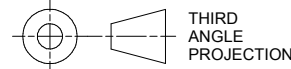
SIDE VIEW



FEATURES:

- 1) MATERIAL:
ALUMINUM FRAMES AND BENCH PLANKS
- 2) FINISH:
FRAMES - PLAIN
BENCH PLANKS - CLEAR ANODIZED
- 3) ASSEMBLED WEIGHT: 25 LBS.

Finish Info.



THIRD ANGLE PROJECTION

DIMENSIONS ARE IN INCHES UNLESS OTHERWISE SPECIFIED

This item is the **exclusive** property of **KWIK GOAL LTD.** Reproduction or duplication **without** the express written consent of **KWIK GOAL LTD.** is **strictly forbidden.**



140 Pacific Drive
Quakertown,
Pa. 18951

Approved By:

Date:

Drawn By: KFrish

Date: 11/1/2010

Sheet: 1 of 4

Revision #: -

Cad File: 9B23.idw

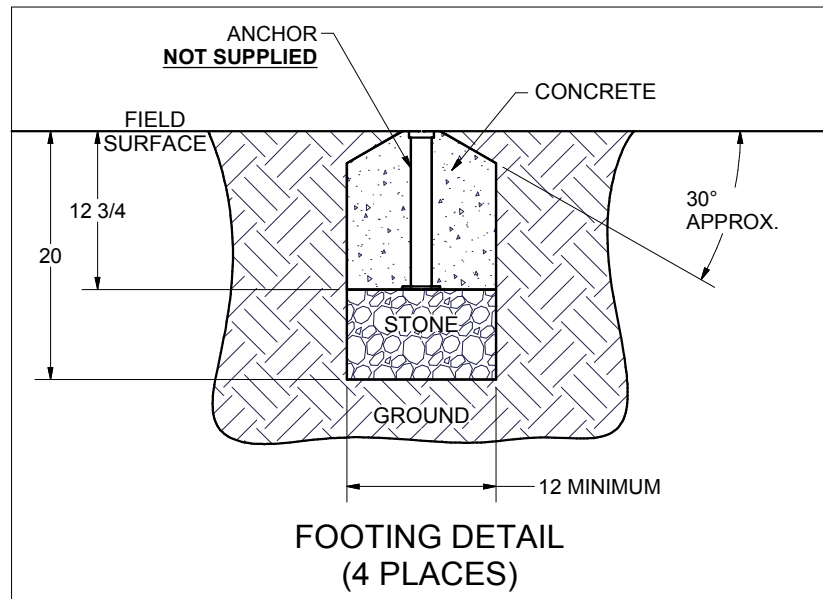
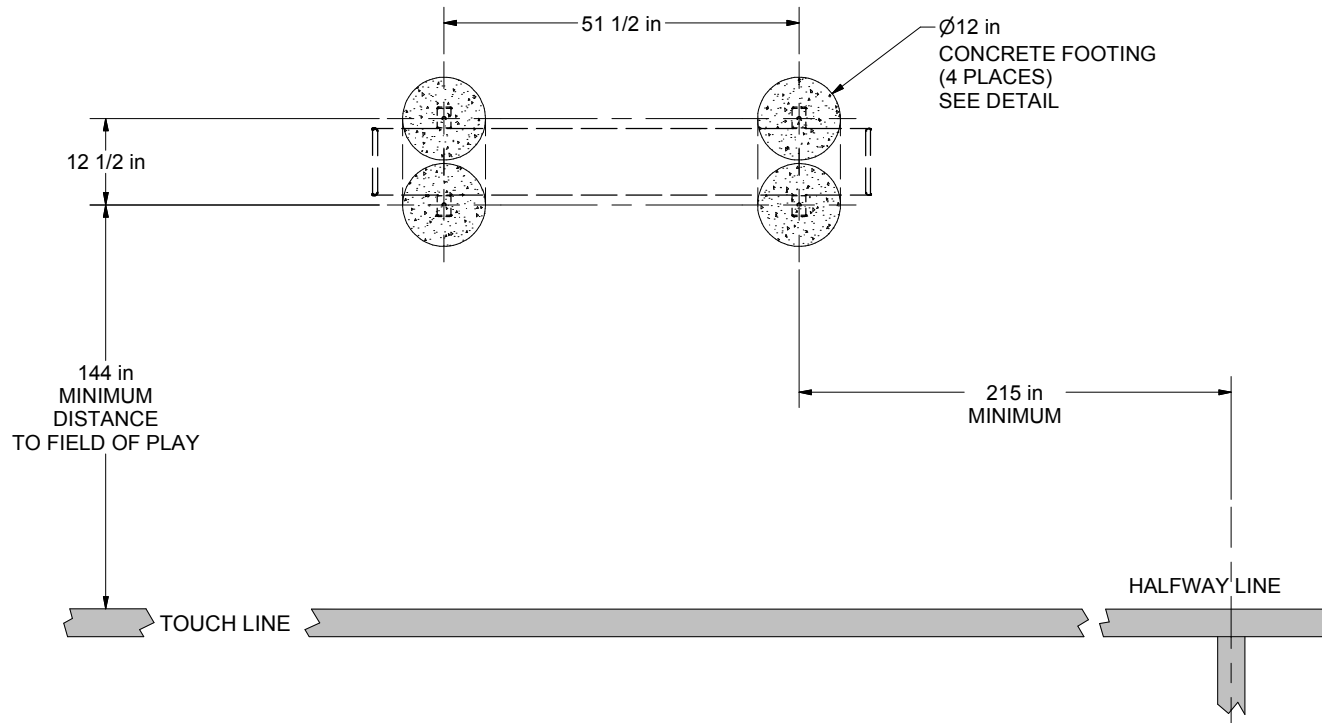
Part #:

9B23

Desc:

6' BENCH WITHOUT BACK

OVERHEAD VIEW

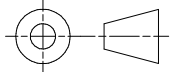



NOTES ANCHORS RECOMENDED, BUT **NOT** SUPPLIED:

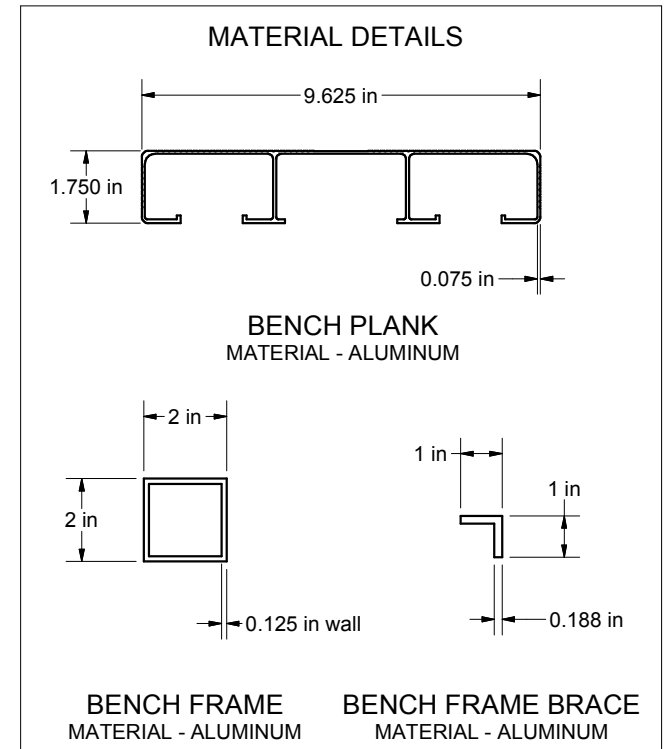
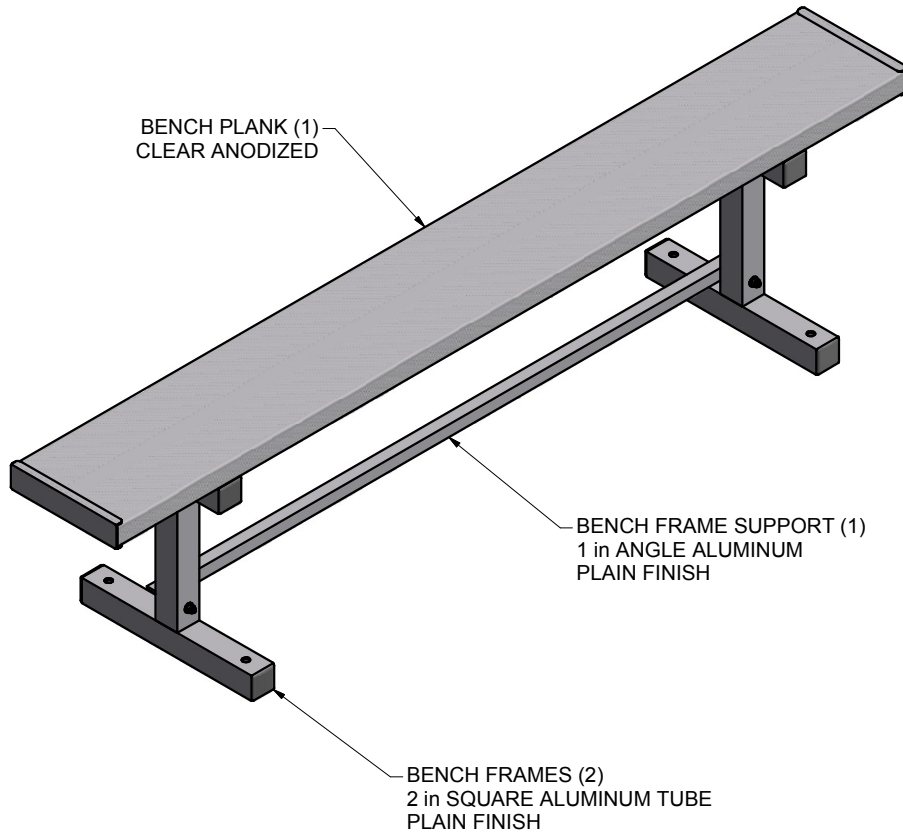
1) DIMENSIONS ARE FOR PLANNING PURPOSES. INSTALLATION MUST BE IN ACCORDANCE WITH INSTALLATION INSTRUCTIONS.

MATERIAL REQUIRED, BUT **NOT** SUPPLIED

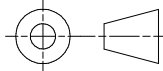

0.2 cubic yard - CONCRETE
 0.1 cubic yard - CLEAN STONE (1/4" - 3/4")
 ABOVE AMOUNTS ARE PER UNIT INSTALLATION

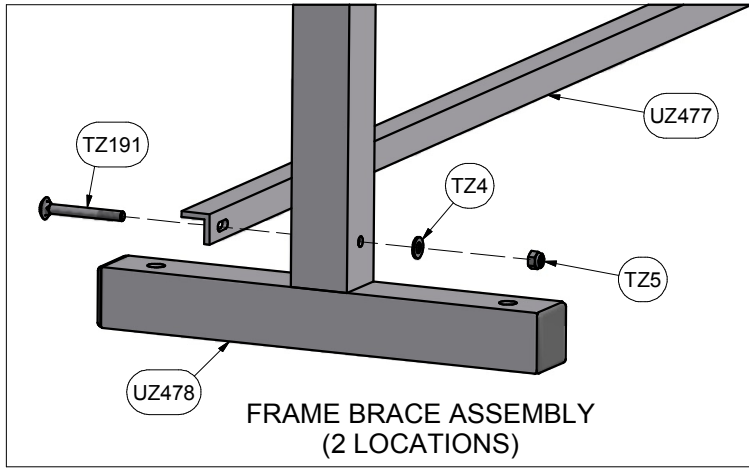
 <p>THIRD ANGLE PROJECTION</p>	 <p>140 Pacific Drive Quakertown, Pa. 18951</p>	
	<p>DIMENSIONS ARE IN INCHES UNLESS OTHERWISE SPECIFIED</p>	<p>Approved By:</p> <p>Date:</p>
<p>This item is the exclusive property of KWIK GOAL LTD. Reproduction or duplication without the express written consent of KWIK GOAL LTD. is strictly forbidden.</p>	<p>Drawn By: KFRisch</p> <p>Date: 11/1/2010</p> <p>Sheet: 2 of 4</p> <p>Revision #: -</p> <p>Cad File: 9B23.idw</p>	<p>Desc:</p> <p>6' BENCH WITHOUT BACK</p>

Finish Info.

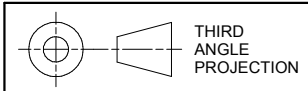
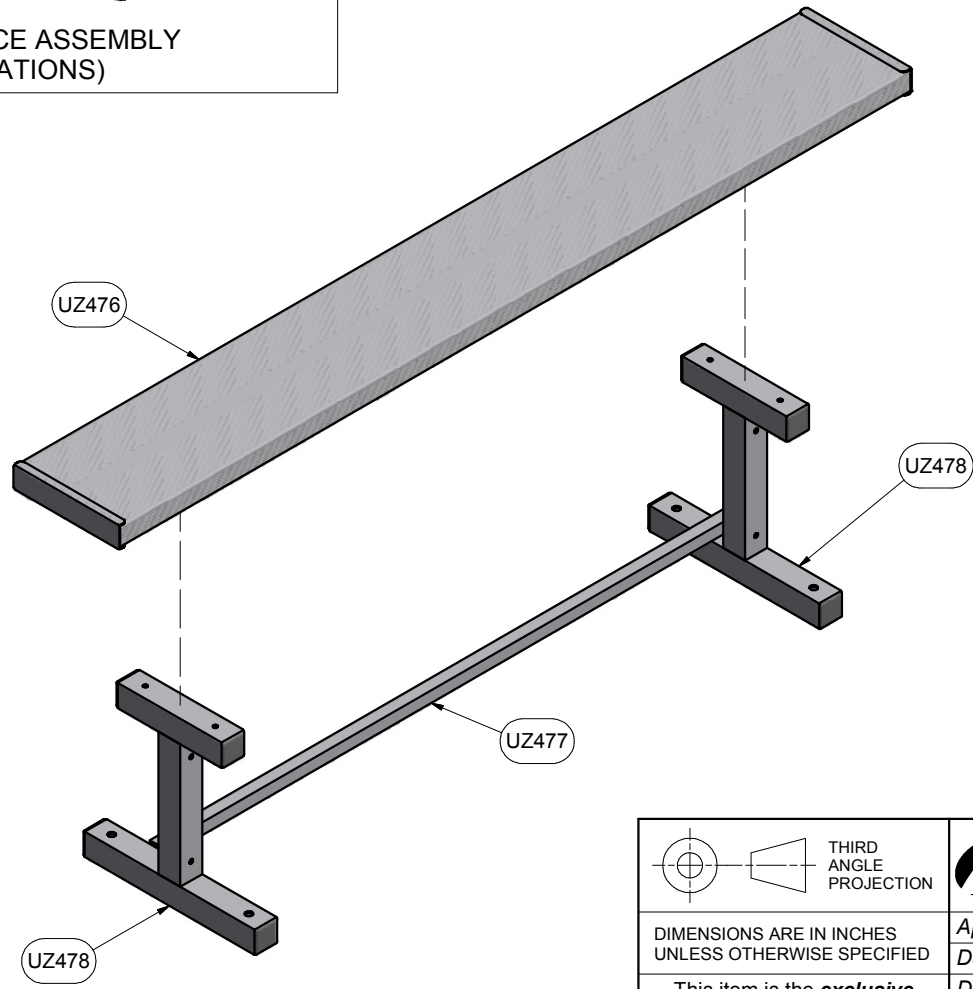


Finish Info.

 THIRD ANGLE PROJECTION	 140 Pacific Drive Quakertown, Pa. 18951	
DIMENSIONS ARE IN INCHES UNLESS OTHERWISE SPECIFIED This item is the exclusive property of KWIK GOAL LTD. Reproduction or duplication without the express written consent of KWIK GOAL LTD. is strictly forbidden.	<i>Approved By:</i>	Part #: 9B23
	<i>Date:</i>	
	<i>Drawn By:</i> KFrisch	<i>Desc:</i> 6' BENCH WITHOUT BACK
	<i>Date:</i> 11/1/2010	
<i>Sheet:</i> 3 of 4		
<i>Revision #:</i> -	<i>Cad File:</i> 9B23.idw	



Parts List		
Part #	Qty	Description
UZ478	2	BENCH FRAME WITHOUT BACK
UZ476	1	BENCH SEAT (6')
UZ477	1	BENCH SUPPORT
UZ475	4	BENCH HOLD DOWN
TZ172	4	5/16-18 x 3 Carriage Bolt
TZ4	6	5/16 Flat Washer
TZ5	6	5/16-18 Lock Nut
TZ191	2	5/16-18 x 2 3/4 Carriage Bolt



DIMENSIONS ARE IN INCHES
UNLESS OTHERWISE SPECIFIED

This item is the **exclusive** property of **KWIK GOAL LTD.** Reproduction or duplication **without** the express written consent of **KWIK GOAL LTD.** is **strictly forbidden.**



Approved By:
Date:
Drawn By: KFRisch
Date: 11/1/2010
Sheet: 4 of 4
Revision #: -
Cad File: 9B23.idw

Part #:
9B23
Desc:
6' BENCH WITHOUT BACK

Finish Info.