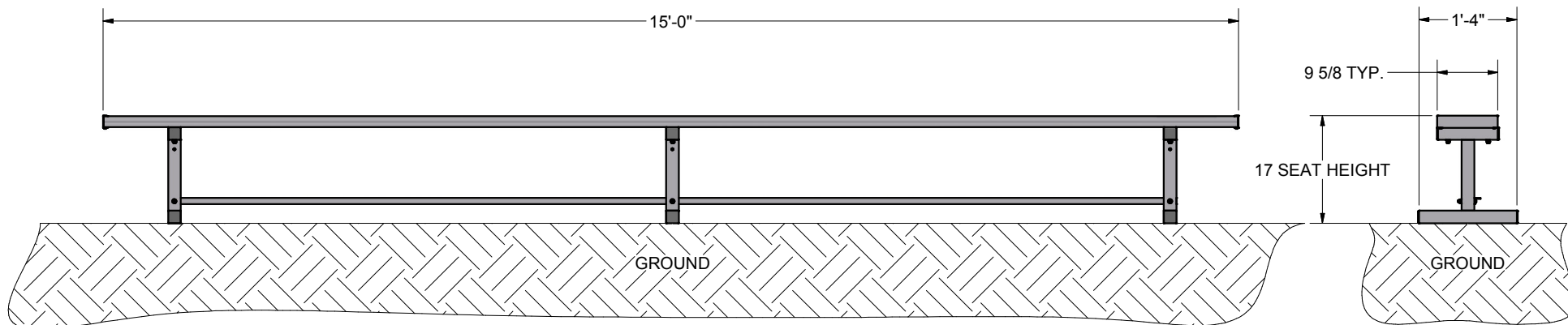


FRONT VIEW

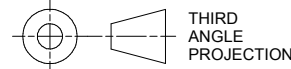
SIDE VIEW



FEATURES:

- 1) MATERIAL:
ALUMINUM FRAMES AND BENCH PLANKS
- 2) FINISH:
FRAMES - PLAIN
BENCH PLANKS - CLEAR ANODIZED
- 3) ASSEMBLED WEIGHT: 50 LBS.

Finish Info.



DIMENSIONS ARE IN INCHES UNLESS OTHERWISE SPECIFIED

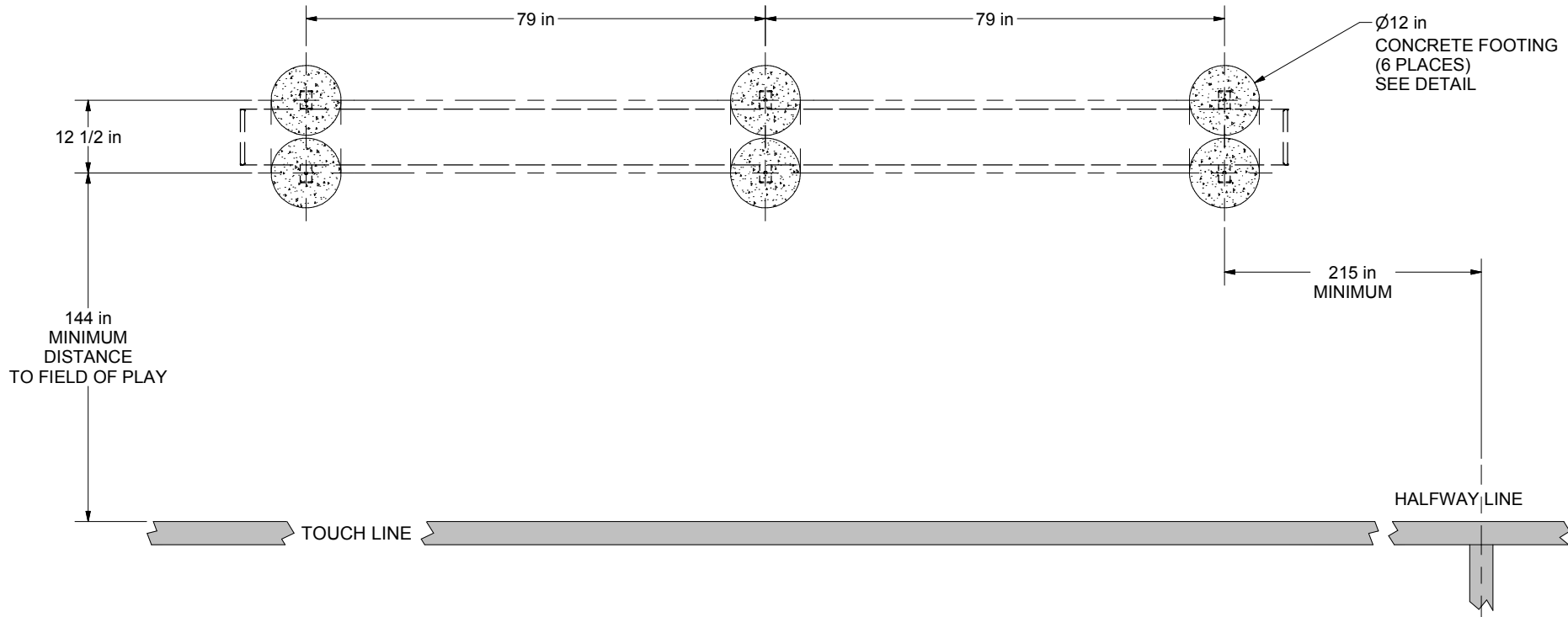
This item is the **exclusive** property of **KWIK GOAL LTD.** Reproduction or duplication **without** the express written consent of **KWIK GOAL LTD.** is **strictly forbidden.**



Approved By:
Date:
Drawn By: cspeck
Date: 6/1/2010
Sheet: 1 of 4
Revision #: -
Cad File: 9b24.idw

Part #:
9B24
Desc:
15' BENCH WITHOUT BACK

OVERHEAD VIEW

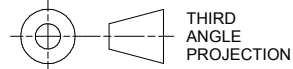
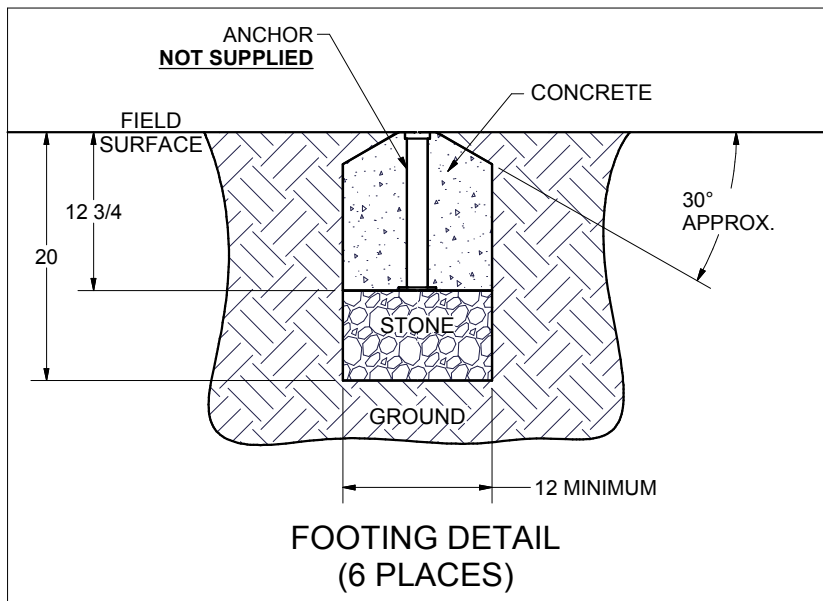


NOTES ANCHORS RECOMENDED, BUT **NOT** SUPPLIED:

- 1) DIMENSIONS ARE FOR PLANNING PURPOSES. INSTALLATION MUST BE IN ACCORDANCE WITH INSTALLATION INSTRUCTIONS.

MATERIAL REQUIRED, BUT **NOT** SUPPLIED

- 0.2 cubic yard - CONCRETE
- 0.1 cubic yard - CLEAN STONE (1/4" - 3/4")
- ABOVE AMOUNTS ARE PER UNIT INSTALLATION



KWIKGOAL® 140 Pacific Drive
Quakertown, Pa. 18951

DIMENSIONS ARE IN INCHES UNLESS OTHERWISE SPECIFIED

Approved By:

Part #:

Date:

9B24

This item is the **exclusive** property of **KWIK GOAL LTD.** Reproduction or duplication **without** the express written consent of **KWIK GOAL LTD.** is **strictly forbidden.**

Drawn By: cspeck

Desc:

Date: 6/1/2010

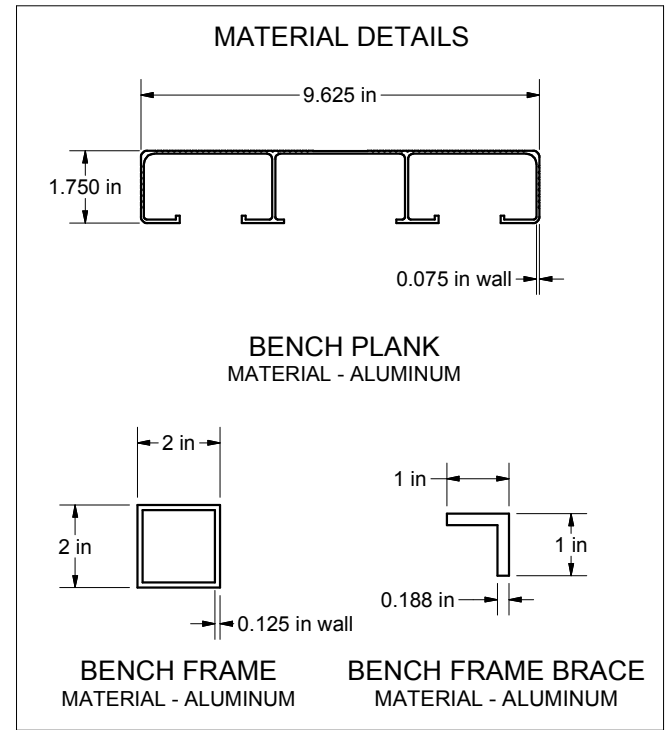
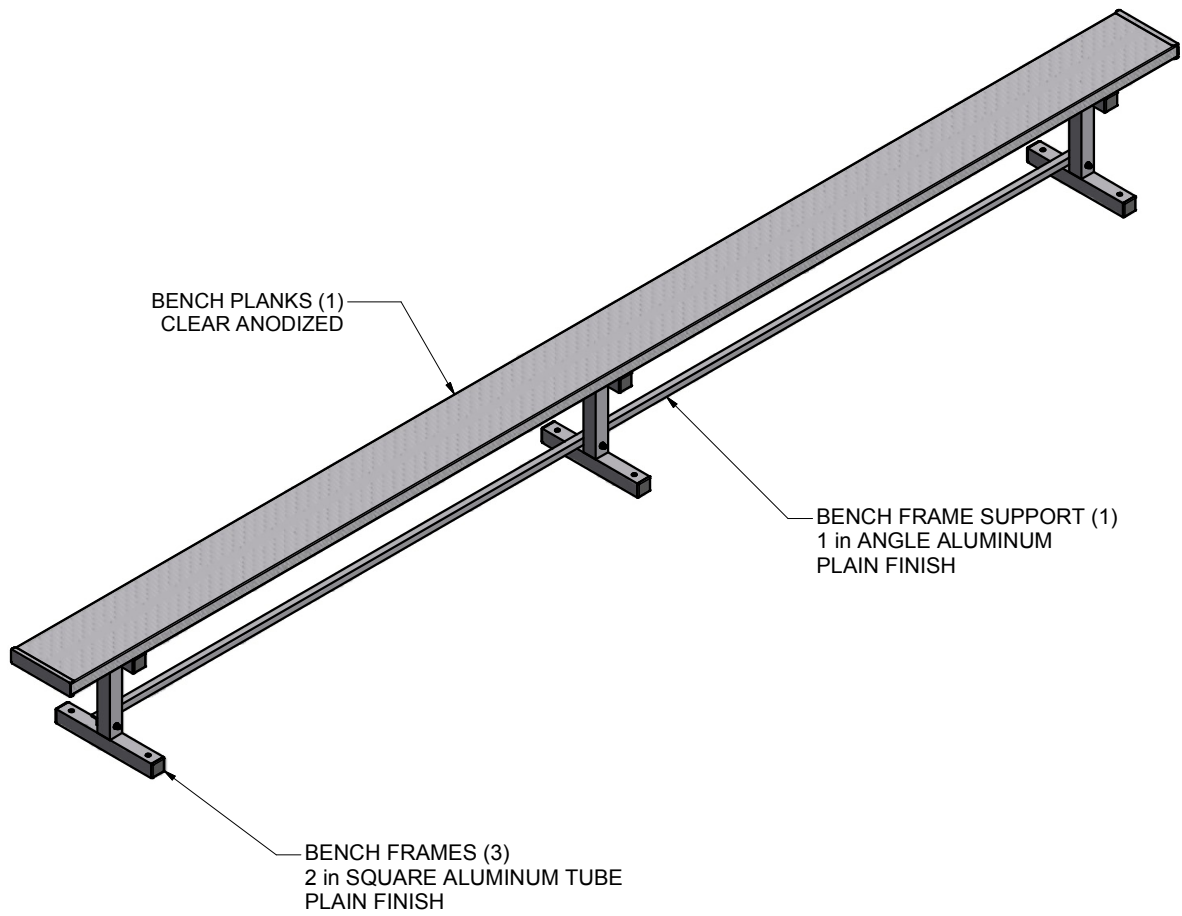
Sheet: 2 of 4

15' BENCH WITHOUT BACK

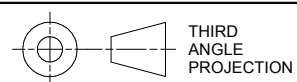
Revision #: -

Cad File: 9b24.idw

Finish Info.



Finish Info.



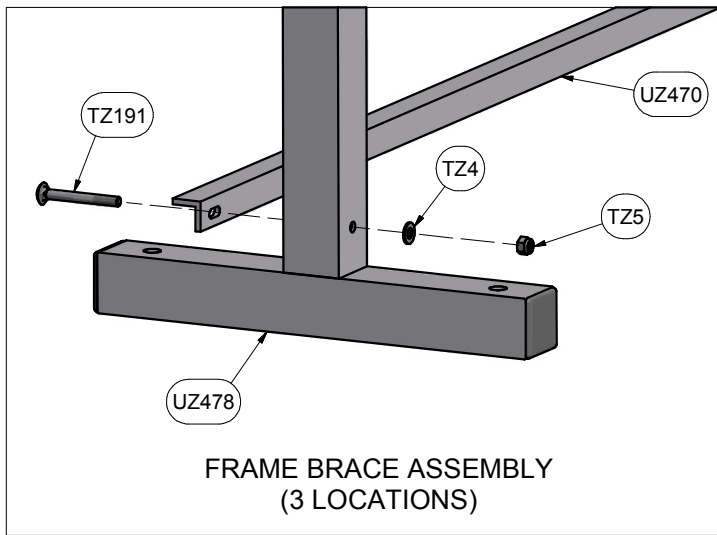
DIMENSIONS ARE IN INCHES
UNLESS OTHERWISE SPECIFIED

This item is the **exclusive** property of **KWIK GOAL LTD.** Reproduction or duplication **without** the express written consent of **KWIK GOAL LTD.** is **strictly forbidden.**

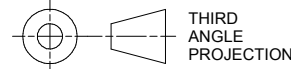
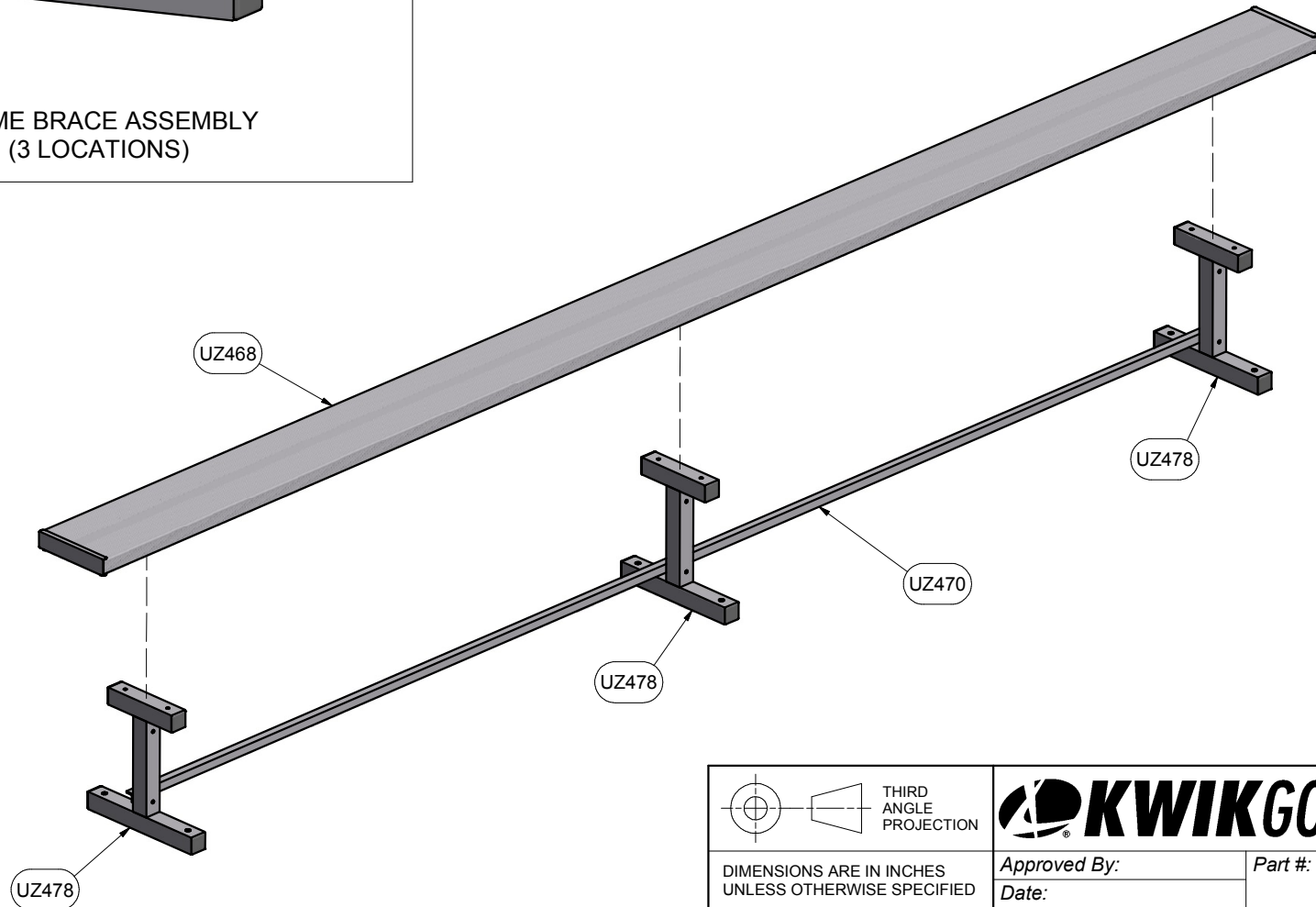


Approved By:
Date:
Drawn By: cspeck
Date: 6/1/2010
Sheet: 3 of 4
Revision #: -
Cad File: 9b24.idw

Part #:
9B24
Desc:
15' BENCH WITHOUT BACK



Parts List		
Part #	Qty	Description
UZ478	3	BENCH FRAME WITHOUT BACK
UZ468	1	BENCH SEAT (15')
UZ470	1	BENCH FRAME SUPPORT
UZ475	6	BENCH HOLD DOWN
TZ172	6	5/16-18 x 3 Carriage Bolt
TZ4	9	5/16 Flat Washer
TZ5	9	5/16-18 Lock Nut
TZ191	3	5/16-18 x 2 3/4 Carriage Bolt



KWIKGOAL® 140 Pacific Drive
Quakertown,
Pa. 18951

DIMENSIONS ARE IN INCHES
UNLESS OTHERWISE SPECIFIED

Approved By:

Part #:
9B24

Date:

Drawn By: cspeck

Desc:
15' BENCH WITHOUT BACK

Date: 6/1/2010

Sheet: 4 of 4

Revision #: -

Cad File: 9b24.idw

This item is the **exclusive** property of **KWIK GOAL LTD.** Reproduction or duplication **without** the express written consent of **KWIK GOAL LTD.** is **strictly forbidden.**

Finish Info.