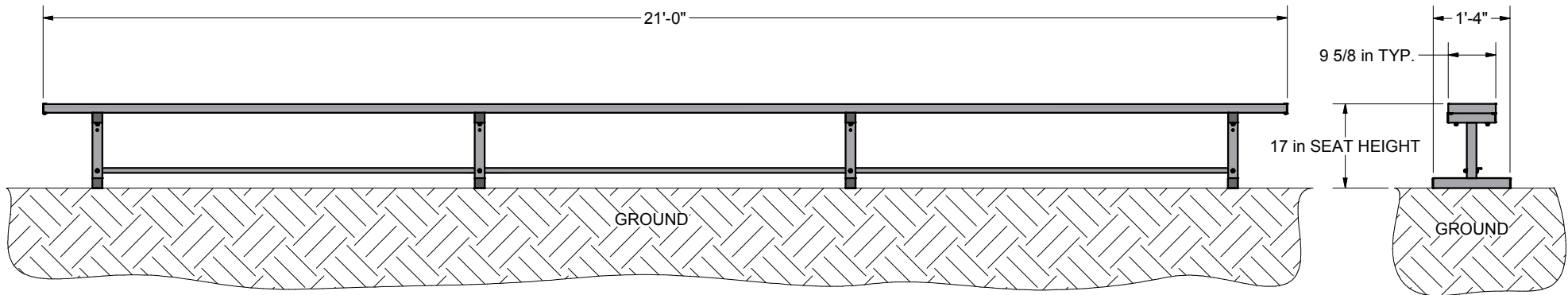


FRONT VIEW

SIDE VIEW



FEATURES:

- 1) MATERIAL:
ALUMINUM FRAMES AND BENCH PLANK
- 2) FINISH:
FRAMES - PLAIN
BENCH PLANKS - CLEAR ANODIZED
- 3) ASSEMBLED WEIGHT: 72 LBS.

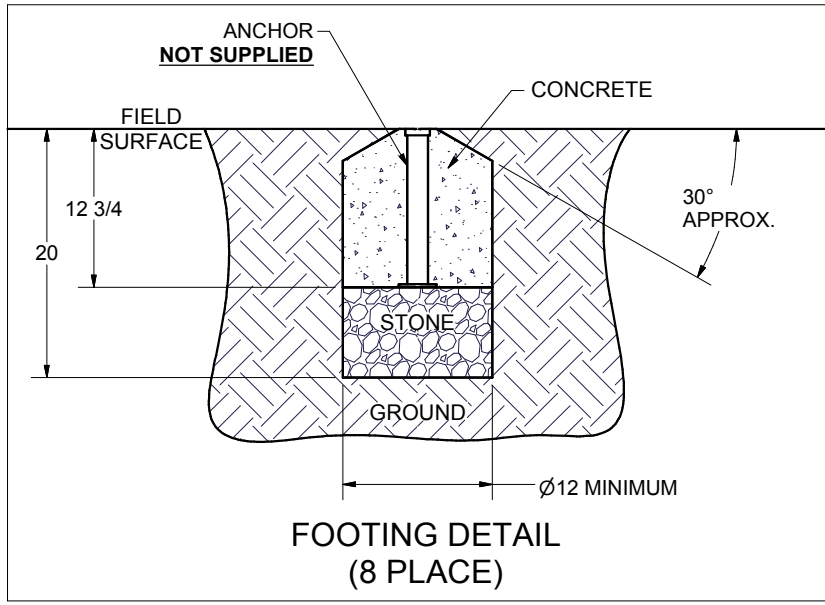
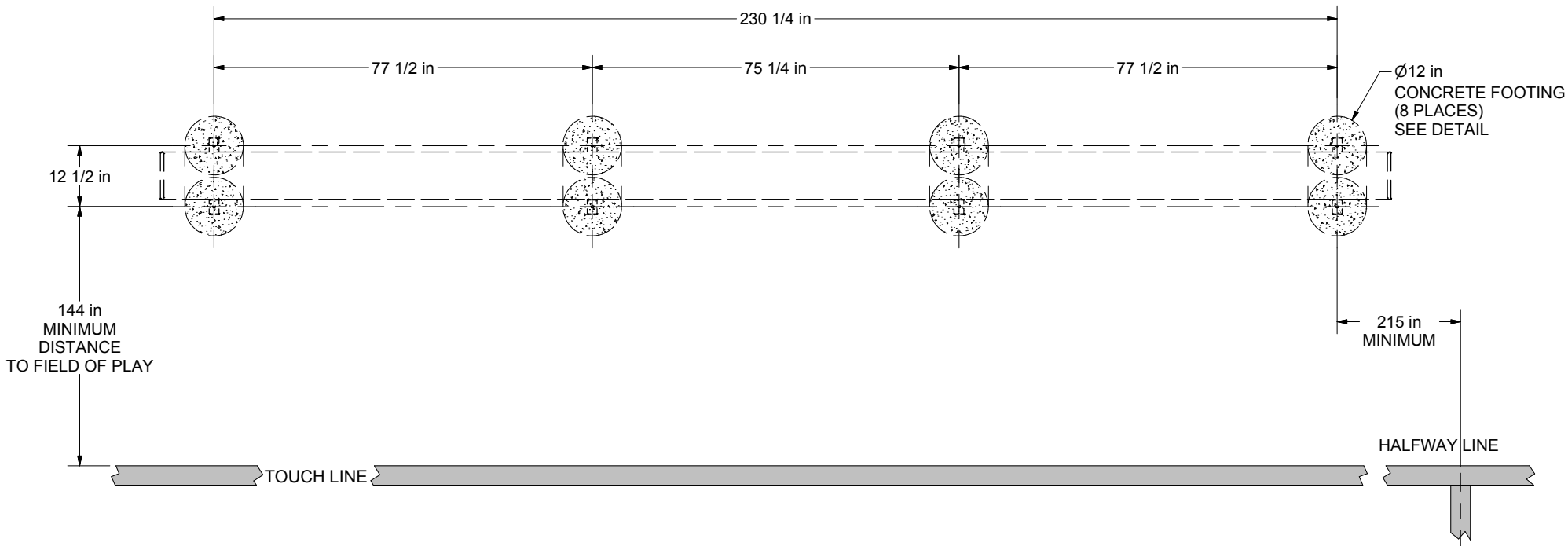
Finish Info.

This item is the **exclusive** property of **KWIK GOAL LTD.** Reproduction or duplication **without** the express written consent of **KWIK GOAL LTD.** is **strictly forbidden.**

KWIKGOAL® 140 Pacific Drive
Quakertown, Pa. 18951

Approved By:	Part #: 9B26
Date:	
Drawn By: CSpeck	Desc: 21' Bench With Out Back
Date: 10/9/2007	
Sheet: 1 of 4	
Revision #:	
Cad File: 9B26.idw	

OVERHEAD VIEW



NOTES:


- 1) ANCHORS RECOMENDED, BUT **NOT** SUPPLIED.
- 2) DIMENSIONS ARE FOR PLANNING PURPOSES. INSTALLATION MUST BE IN ACCORDANCE WITH INSTALLATION INSTRUCTIONS.

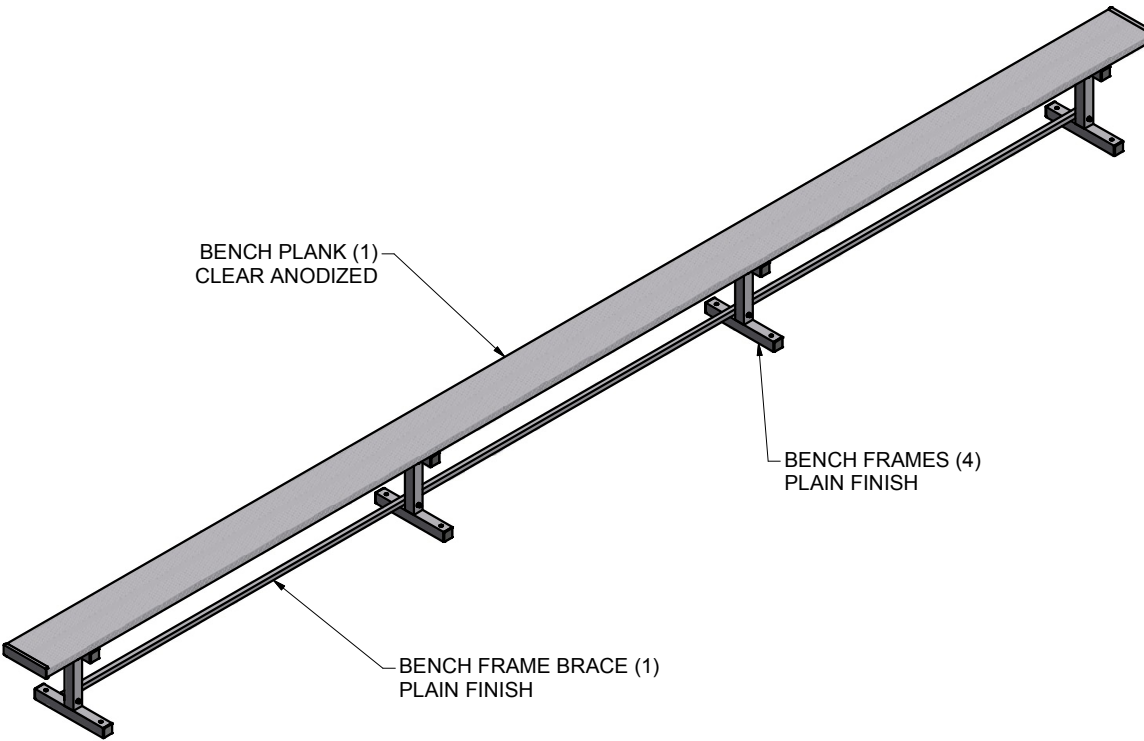
MATERIAL REQUIRED, BUT **NOT** SUPPLIED

0.3 cubic yard - CONCRETE
 0.2 cubic yard - CLEAN STONE (1/4" - 3/4")
 ABOVE AMOUNTS ARE PER UNIT INSTALLATION

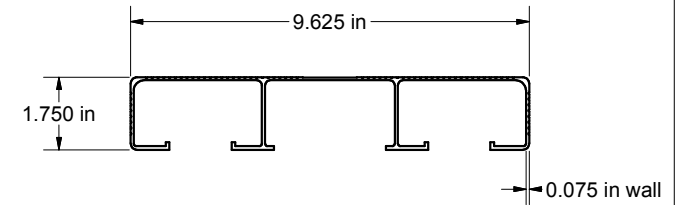
Finish Info.

This item is the **exclusive** property of **KWIK GOAL LTD.** Reproduction or duplication **without** the express written consent of **KWIK GOAL LTD.** is **strictly forbidden.**

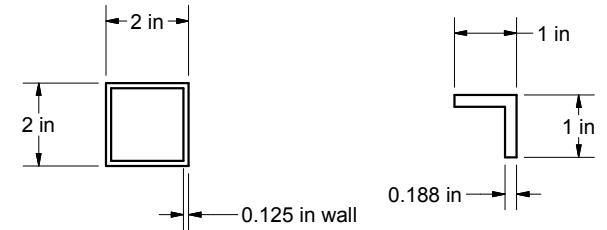
 140 Pacific Drive Quakertown, Pa. 18951	
Date:	9B26
Drawn By: CSpeck	
Date: 10/9/2007	Desc:
Sheet: 2 of 4	21' Bench With Out Back
Revision #:	
Cad File: 9B26.idw	



MATERIAL DETAILS



BENCH PLANK
MATERIAL - ALUMINUM



BENCH FRAME
MATERIAL - ALUMINUM

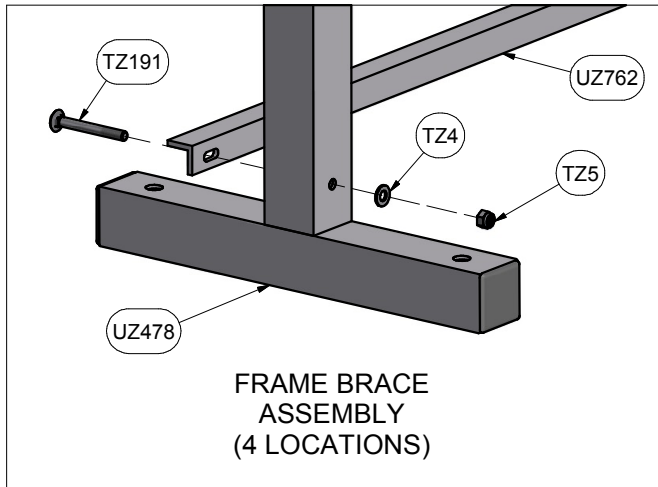
BENCH FRAME BRACE
MATERIAL - ALUMINUM

Finish Info.

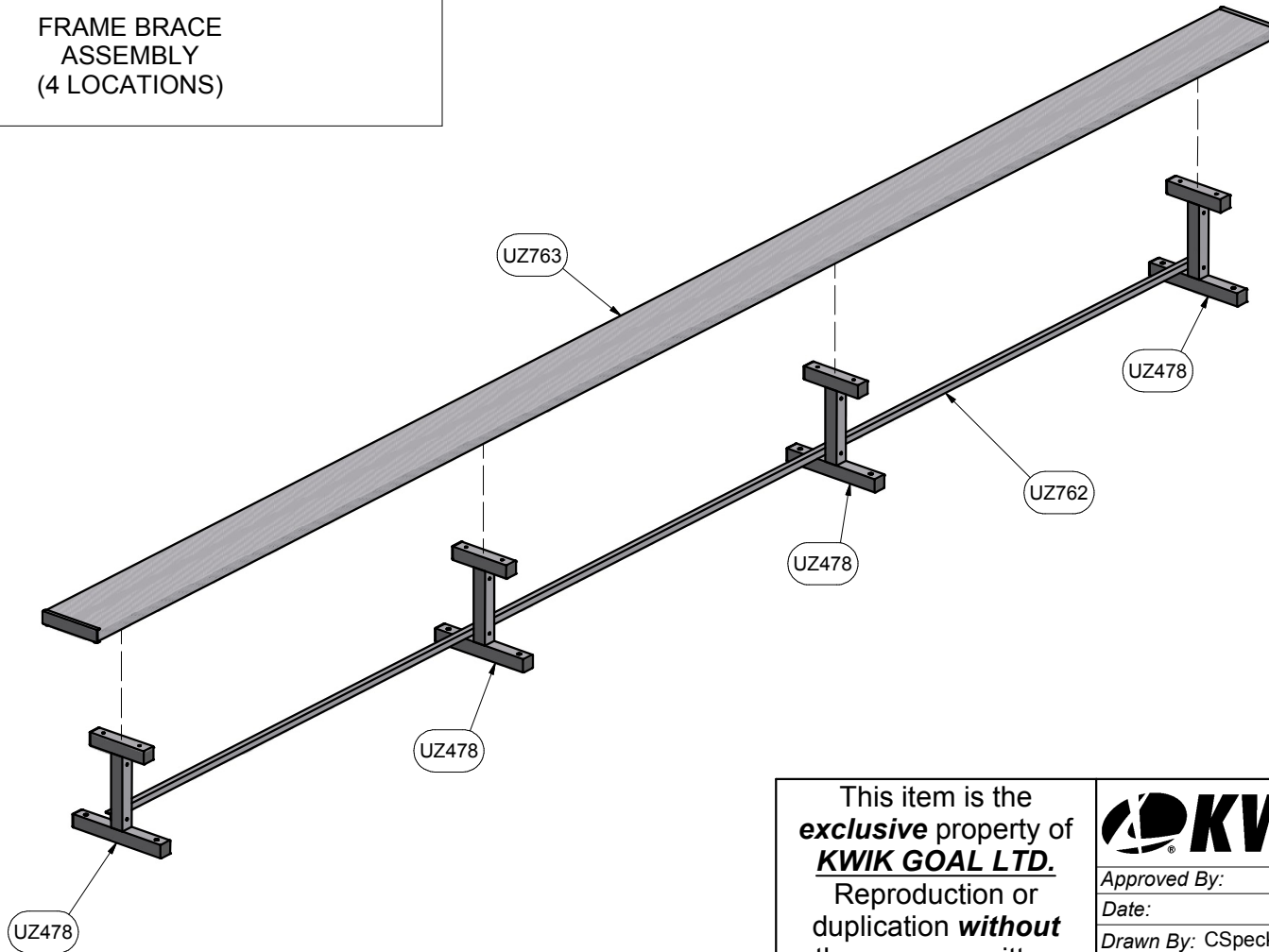
This item is the **exclusive** property of **KWIK GOAL LTD.** Reproduction or duplication **without** the express written consent of **KWIK GOAL LTD.** is **strictly forbidden.**



Approved By:	Part #: 9B26
Date:	
Drawn By: CSpeck	Desc: 21' Bench With Out Back
Date: 10/9/2007	
Sheet: 3 of 4	
Revision #:	
Cad File: 9B26.idw	



Parts List		
Part #	Qty	Description
UZ763	1	BENCH SEAT (21')
UZ478	4	BENCH FRAME WITHOUT BACK
UZ762	1	FRAME SUPPORT ANGLE
UZ475	8	BENCH HOLD DOWN
TZ172	8	5/16-18 x 3 Carriage Bolt
TZ4	12	5/16 Flat Washer
TZ5	12	5/16-18 Lock Nut
TZ191	4	5/16-18 x 2 3/4 Carriage Bolt



Finish Info.

This item is the **exclusive** property of **KWIK GOAL LTD.** Reproduction or duplication **without** the express written consent of **KWIK GOAL LTD.** is **strictly forbidden.**

KWIKGOAL® 140 Pacific Drive
Quakertown, Pa. 18951

Approved By:	Part #: 9B26
Date:	
Drawn By: CSpeck	Desc: 21' Bench With Out Back
Date: 10/9/2007	
Sheet: 4 of 4	
Revision #:	
Cad File: 9B26.idw	