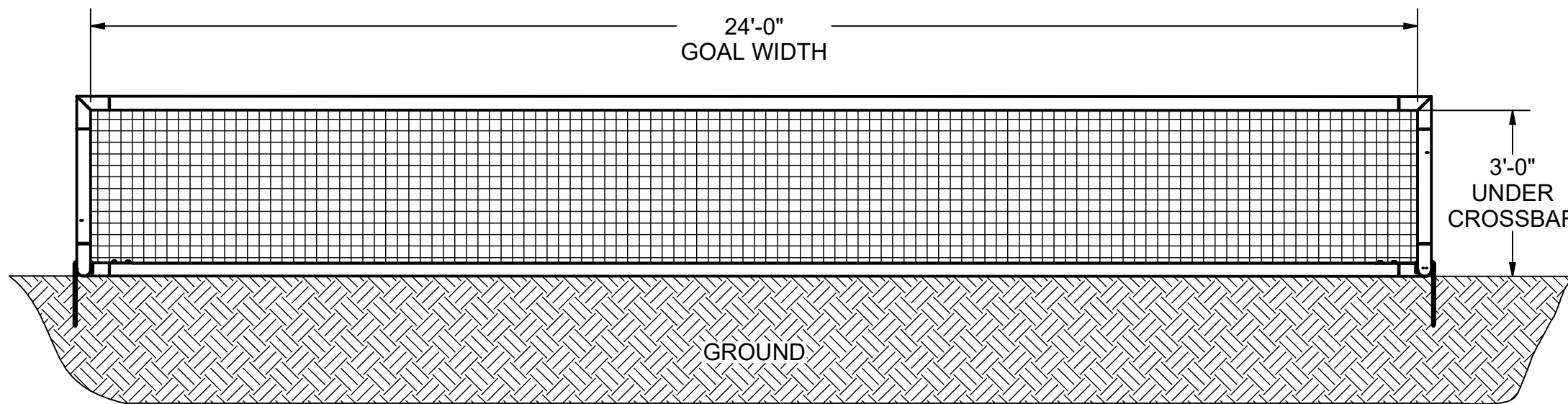
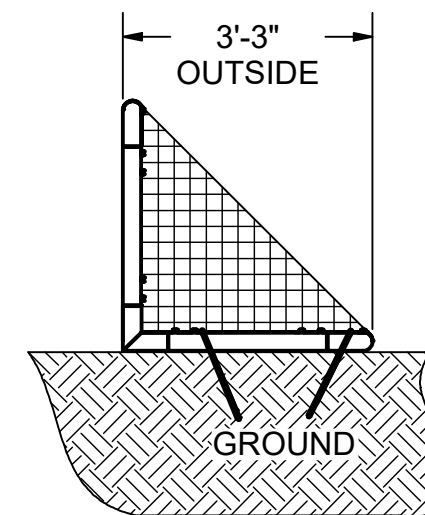


FRONT VIEW

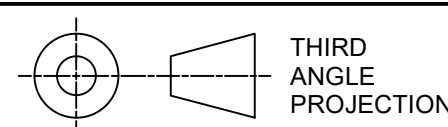


SIDE VIEW



FEATURES:

- 1) ALUMINUM GOAL FRAME
- 2) FINISH: WHITE POWDER COAT
- 3) INCLUDED:
 - J- ANCHORS
 - 3mm WHITE NET
 - KWIK LOCK® NET CLIPS
- 4) ASSEMBLED GOAL WEIGHT: 101 LBS.



THIRD ANGLE PROJECTION

KWIKGOAL® 140 Pacific Drive
Quakertown, Pa. 18951

DIMENSIONS ARE IN INCHES UNLESS OTHERWISE SPECIFIED

Approved By:
Date:

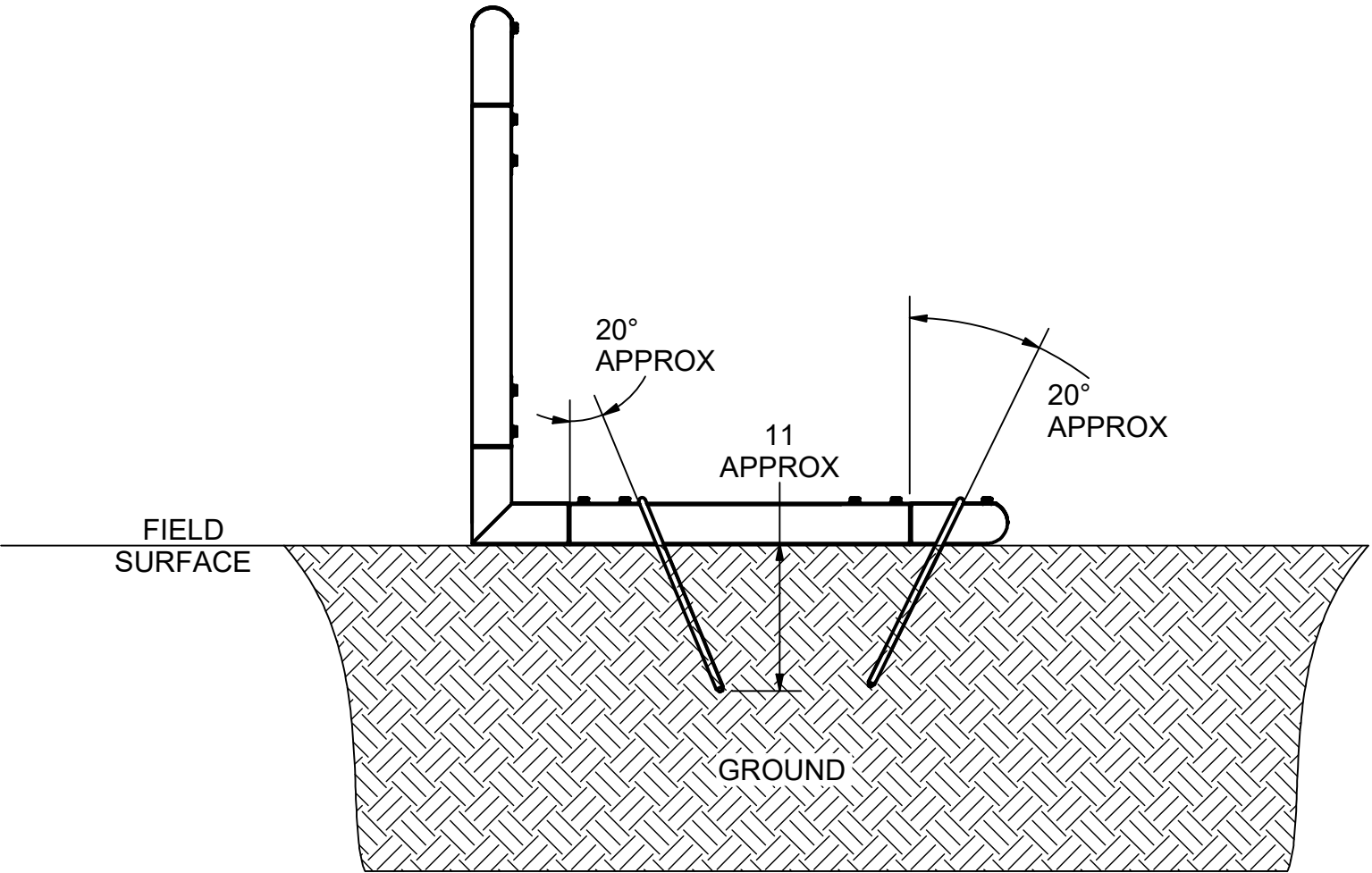
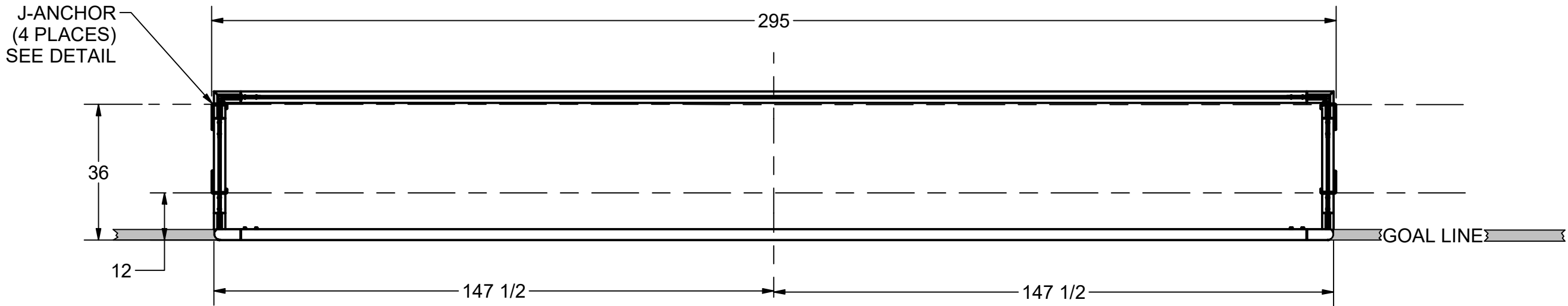
Drawing #: **2B3024**

This item is the **confidential** property of **KWIK GOAL LTD.** Reproduction or duplication **without** the express written consent of **KWIK GOAL LTD.** is **strictly forbidden.**

Drawn By: JSchrader
Date: 1/14/2021
Sheet: 1 of 4
Revision #: 1
Cad File: 2B3024.idw

Desc: **3' X 24' FINISHING GOAL**

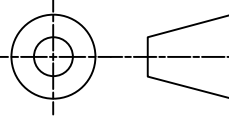

OVERHEAD VIEW

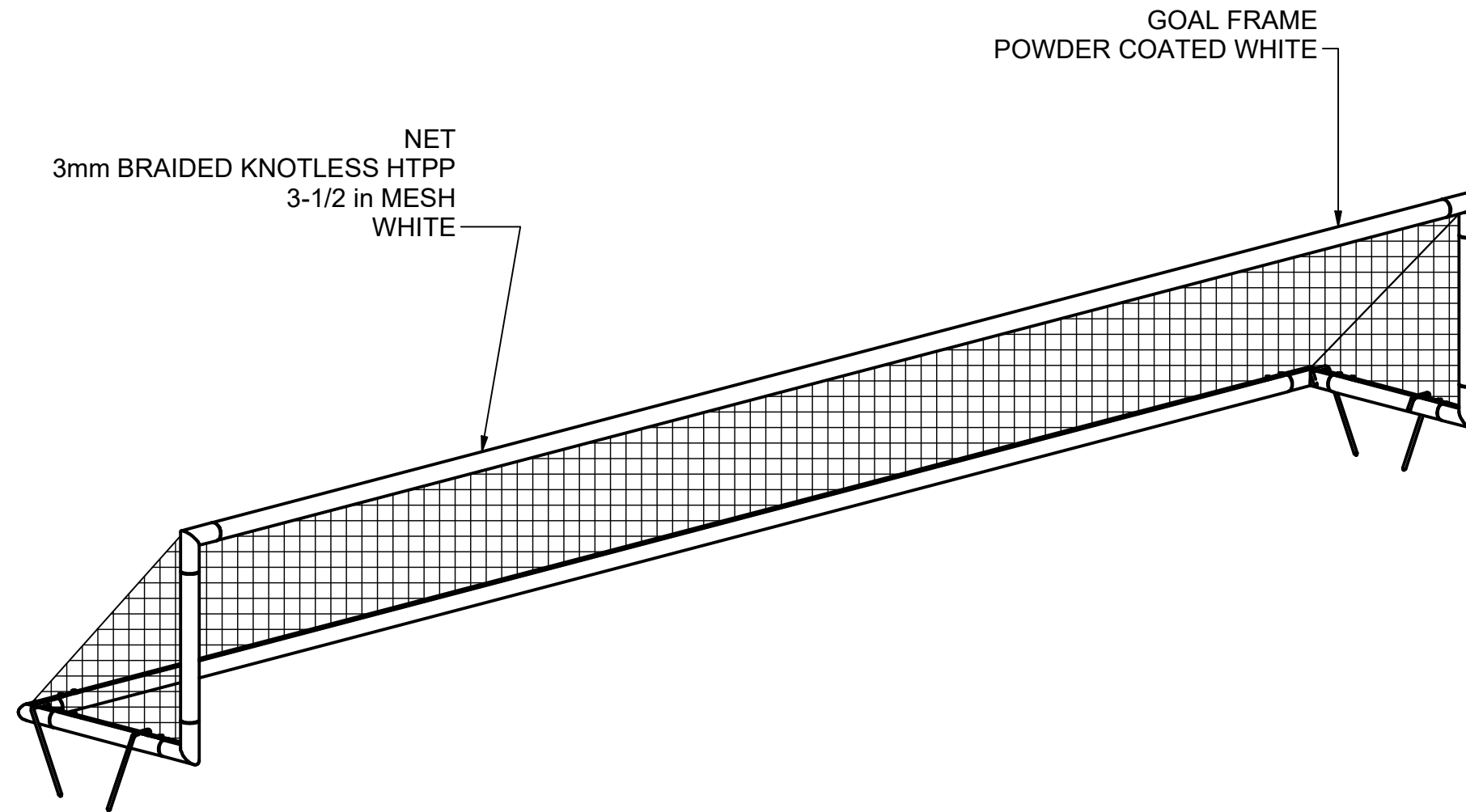


ANCHOR DETAIL
(4 PLCS)

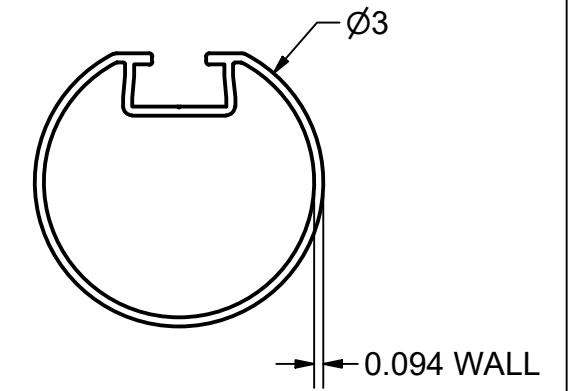
NOTES:

1) DIMENSIONS ARE FOR PLANNING PURPOSES. INSTALLATION MUST BE IN ACCORDANCE WITH INSTALLATION INSTRUCTIONS.

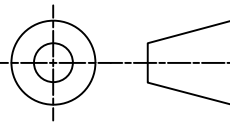

 <p>THIRD ANGLE PROJECTION</p>	 <p>140 Pacific Drive Quakertown, Pa. 18951</p>	
	<p>DIMENSIONS ARE IN INCHES UNLESS OTHERWISE SPECIFIED</p>	<p>Approved By:</p> <p>Date:</p>
<p>This item is the confidential property of KWIK GOAL LTD. Reproduction or duplication without the express written consent of KWIK GOAL LTD. is strictly forbidden.</p>	<p>Drawn By: JSchrader</p> <p>Date: 1/14/2021</p> <p>Sheet: 2 of 4</p> <p>Revision #: 1</p> <p>Cad File: 2B3024.idw</p>	<p>Desc:</p> <p>3' X 24' FINISHING GOAL</p>



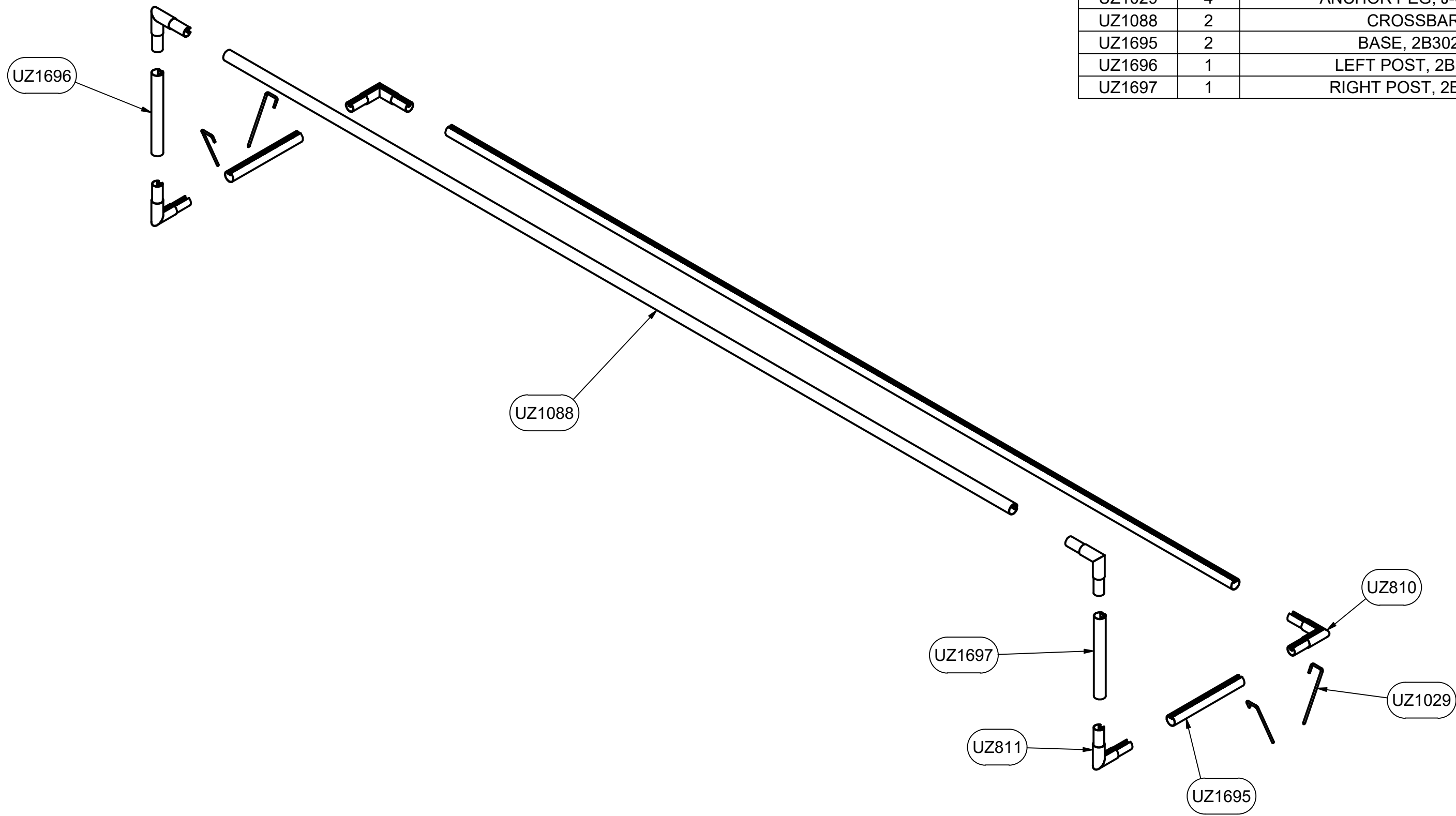
MATERIAL DETAILS

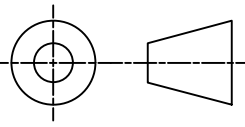



GOAL FRAME MATERIAL - ALUMINUM

 <p>THIRD ANGLE PROJECTION</p>	 <p>140 Pacific Drive Quakertown, Pa. 18951</p>	
	<p>DIMENSIONS ARE IN INCHES UNLESS OTHERWISE SPECIFIED</p>	<p>Approved By:</p> <p>Date:</p>
<p>This item is the confidential property of KWIK GOAL LTD. Reproduction or duplication without the express written consent of KWIK GOAL LTD. is strictly forbidden.</p>	<p>Drawn By: JSchrader</p>	<p>Desc:</p> <p>3' X 24' FINISHING GOAL</p>
	<p>Date: 1/14/2021</p>	
	<p>Sheet: 3 of 4</p>	
	<p>Revision #: 1</p>	
<p>Cad File: 2B3024.idw</p>		

PARTS LIST		
PART#	QTY	DESCRIPTION
3B3024	1	NET, SOCCER GOAL
UZ810	4	CROSSBAR CORNER, EURO CLUB
UZ811	2	POST CORNER, EURO CLUB
UZ1029	4	ANCHOR PEG, J-STYLE
UZ1088	2	CROSSBAR
UZ1695	2	BASE, 2B3024
UZ1696	1	LEFT POST, 2B3024
UZ1697	1	RIGHT POST, 2B3024



 THIRD ANGLE PROJECTION	 140 Pacific Drive Quakertown, Pa. 18951	
	DIMENSIONS ARE IN INCHES UNLESS OTHERWISE SPECIFIED	Approved By: Date:
This item is the confidential property of KWIK GOAL LTD. Reproduction or duplication without the express written consent of KWIK GOAL LTD. is strictly forbidden.	Drawn By: JSchrader Date: 1/14/2021	Desc: 3' X 24' FINISHING GOAL
	Sheet: 4 of 4 Revision #: 1	
	Cad File: 2B3024.idw	